



# SERVICE PARTS LIST

BULLETIN NO.  
54-42-0088

SPECIFY CATALOG NO. AND SERIAL NO. WHEN ORDERING PARTS		REVISED BULLETIN 54-42-0087	DATE Nov. '96
<b>MAGNUM SCREW-SHOOTER</b>			
CATALOG NO. 6749-1	STARTING SERIAL NO. 694B	WIRING INSTRUCTION 58-01-1650	

EXAMPLE:  
Component Parts  
(Small #) Are  
Included When  
Ordering The  
Assembly (Large #).

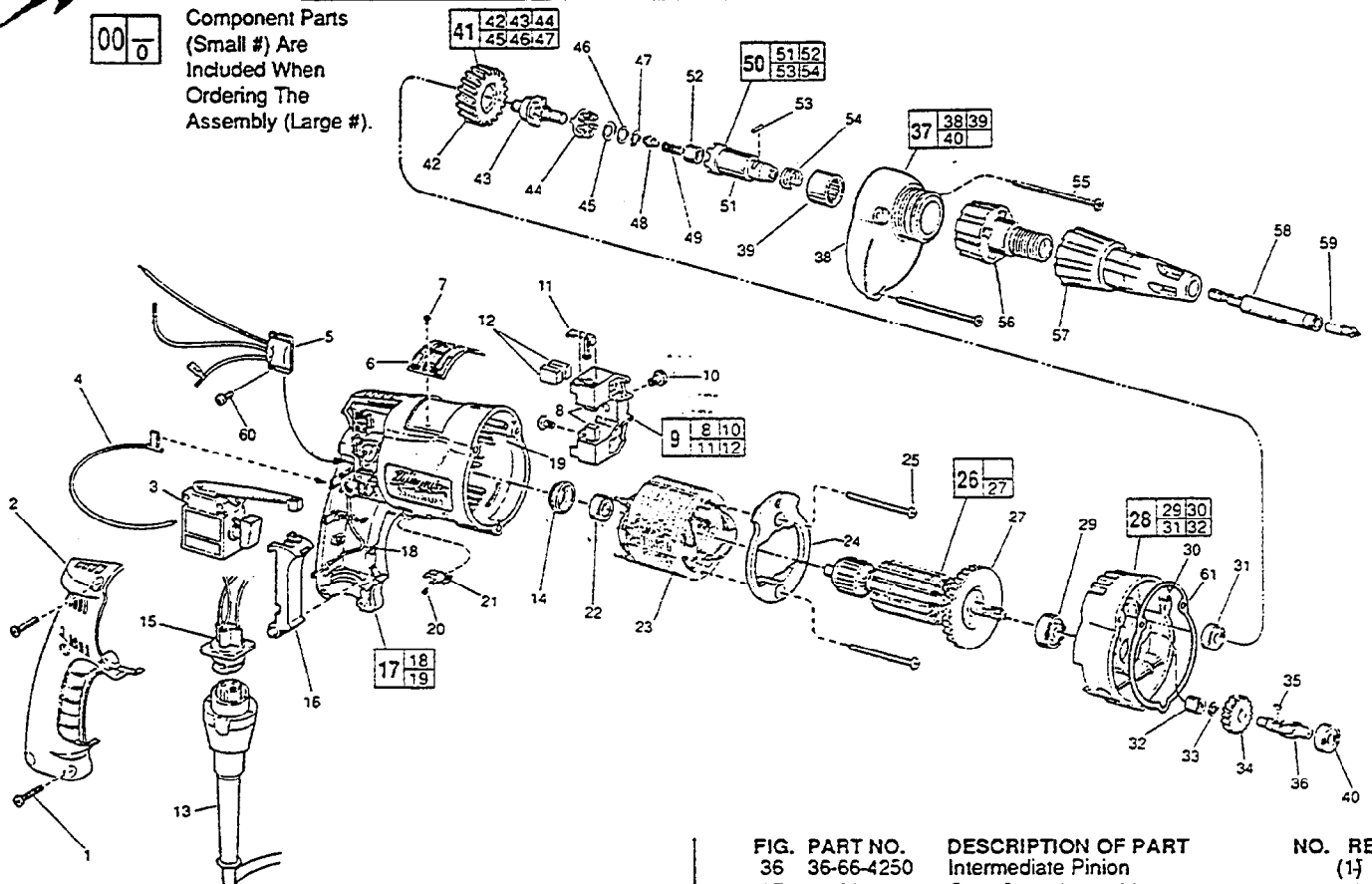


FIG.	PART NO.	DESCRIPTION OF PART	NO. REQ.
1	06-82-7266	7-18 x 11/16" Plastite T-20	(5)
2	31-15-0402	Handle Cover	(1)
★ 3	23-66-1666	Trigger Speed Control Reversing Switch	(1)
★ 4	23-94-6247	2-1/4" Lead Assembly	(1)
★ 5	14-20-0795	Remote Electronic Assembly	(1)
6	12-99-0081	Nameplate Blank	(1)
7	06-72-1720	Nameplate Rivet	(2)
8	22-16-0275	Carbon Brush	(2)
9	22-22-0351	Brush Holder Assembly	(1)
10	31-75-0040	Brush Holder Screw	(2)
11	22-20-0345	Brush Spring Assembly	(2)
12	22-16-0275	Carbon Brush (Spares)	(2)
13	48-76-4008	Cord Set	(1)
14	22-72-0100	Bearing Cup	(1)
★ 15	22-56-0807	Pin Housing Assembly	(1)
★ 16	45-72-0081	Trigger	(1)
17	14-38-0540	Motor Housing Assembly	(1)
18	23-94-9960	Ground Wire Assembly	(1)
19	44-60-1290	Grounding Pin	(1)
20	40-50-0085	Lock Button Spring	(1)
21	42-42-0460	Lock Button	(1)
22	02-04-0645	Ball Bearing	(1)
23	18-11-0075	120 Volt Field	(1)
24	42-14-0390	Baffle	(1)
25	06-82-7398	7-18 x 2-1/16" Pan Hd. Plastite T-20	(2)
26	16-10-0800	120 Volt Armature Assembly	(1)
27	22-84-0880	Fan Assembly	(1)
28	14-13-0501	Diaphragm Assembly	(1)
29	02-04-0847	Ball Bearing	(1)
30	06-65-0880	Ground Pin	(1)
31	02-04-0645	Ball Bearing	(1)
32	02-50-1620	Needle Bearing	(1)
33	45-88-7721	Heat Treated Washer	(1)
34	32-40-1815	Intermediate Gear	(1)
35	06-42-0400	Woodruff Key	(1)

FIG.	PART NO.	DESCRIPTION OF PART	NO. REQ.
36	36-66-4250	Intermediate Pinion	(1)
37	14-30-0341	Gear Case Assembly	(1)
38		Gear Case	(1)
39	02-50-4050	Needle Bearing	(1)
40	02-04-0640	Ball Bearing	(1)
41	32-10-4035	Clutch Gear Assembly	(1)
42	32-75-2920	Spindle Gear	(1)
43	36-14-0680	Gear Shaft	(1)
44	42-70-5030	Drive Clutch	(1)
45	45-88-0705	Spring Washer	(1)
46	45-88-0550	Fiat Washer	(1)
47	34-60-0510	External Retaining Ring	(1)
48	44-60-0500	Thrust Pin	(1)
49	40-50-0080	Separator Spring	(1)
50	14-73-0120	Chuck Shaft Assembly	(1)
51	42-66-6770	Chuck Shaft	(1)
52	02-50-1615	Needle Bearing	(1)
53	02-55-0150	Loose Roller Bearing	(1)
54	40-50-1450	Bit Retaining Spring	(1)
55	06-82-7411	7-18 x 2-3/16" Pan Hd. Plastite T-20	(3)
56	48-32-2500	Bit Housing	(1)
57	49-26-1040	Locator Assembly	(1)
58	48-32-3025	Magnet Bit Holder 1/4 Hex	(1)
59	48-32-1050	Insert Bit No. 2 Phil. 1/4 Hex	(1)
60	06-82-7212	4-20 x 1/4" Pan Hd. Plastite T-10	(1)
61	43-44-0913	Gasket	(1)
★	23-94-6232	4" Lead Assembly	(1)
★	23-94-6237	4-1/8" Lead Assembly	(1)
★	23-94-6242	3-3/8" Lead Assembly	(1)
	10-98-5986	Warning Label	(1)

FIG. LUBRICATION  
38 1-1/2 Oz. Type "E" Grease, No. 49-08-4122.  
Place grease near intermediate shaft ball bearing in gear case.

MILWAUKEE ELECTRIC TOOL CORPORATION  
13135 W. LISBON RD., BROOKFIELD, WI 53005  
Dwg. 1