



# SERVICE PARTS LIST

**BULLETIN NO.**  
**54-42-0084**

SPECIFY CATALOG NO. AND SERIAL NO. WHEN ORDERING PARTS		REVISED BULLETIN	DATE
<b>MAGNUM SCREW-SHOOTER</b>		54-42-0083	July '94
CATALOG NO. 6749-1		WIRING INSTRUCTION	
STARTING SERIAL NO. 694-29938	58-01-0077		

**EXAMPLE:**



Component Parts  
(Small #) Are  
Included When  
Ordering The  
Assembly (Large #).

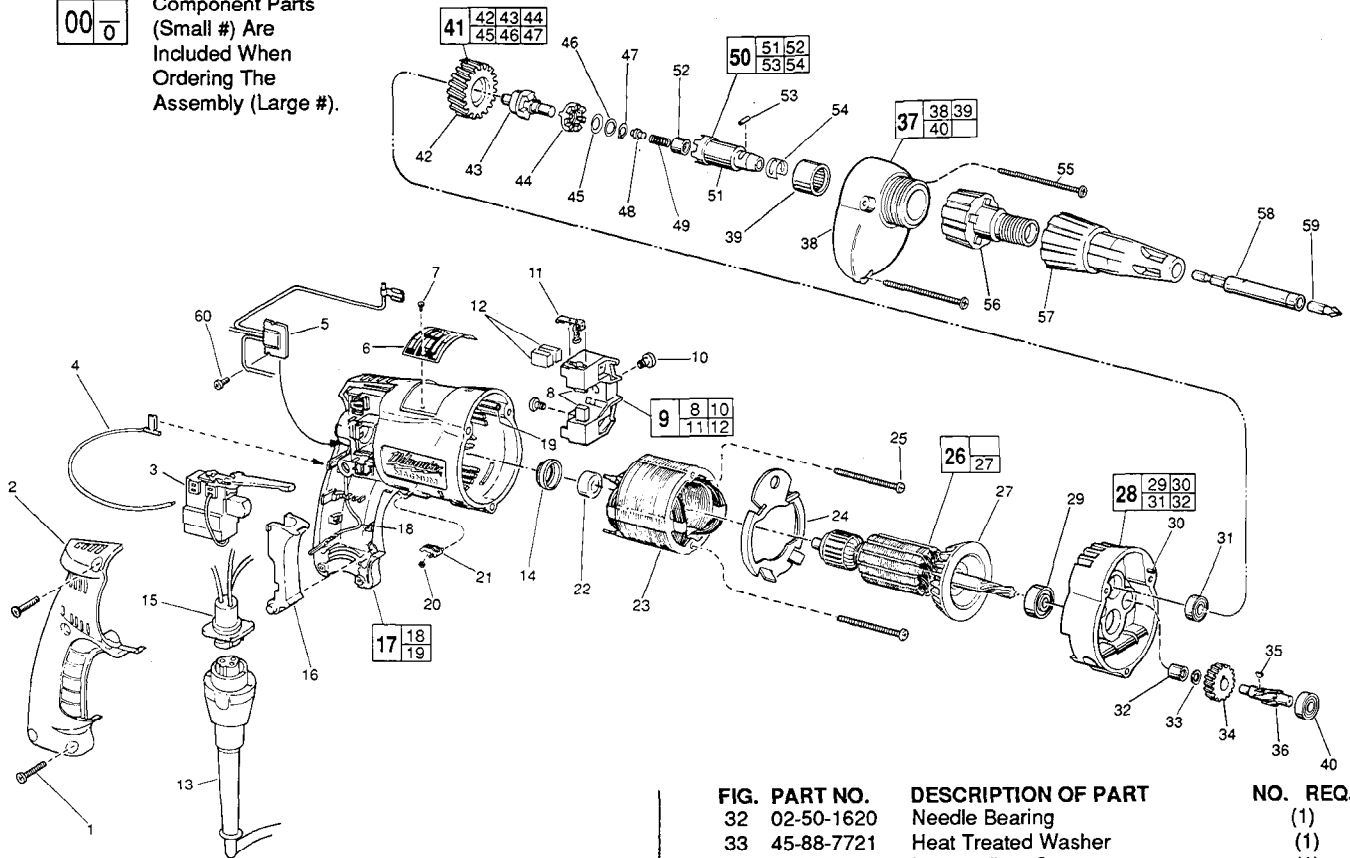


FIG.	PART NO.	DESCRIPTION OF PART	NO. REQ.
	1	06-82-7266 7-18 x 11/16 Plastite T-20	(5)
★	2	31-15-0401 Handle Cover	(1)
	3	23-66-1665 Trigger Speed Control Reversing Switch	(1)
	4	23-94-6245 2-1/4" Lead Assembly	(1)
	5	14-20-0250 Remote Electronic Assembly	(1)
	6	12-99-0081 Nameplate Blank	(1)
	7	06-85-0200 Nameplate Screw	(2)
	8	22-16-0275 Carbon Brush	(2)
	9	22-22-0351 Brush Holder Assembly	(1)
	10	31-75-0040 Brush Holder Screw	(2)
	11	22-20-0345 Brush Spring Assembly	(2)
	12	22-16-0275 Carbon Brush (Spares)	(2)
	13	48-76-4008 Cord Set	(1)
	14	22-72-0100 Bearing Cup	(1)
★	15	22-56-0630 Pin Housing Assembly	(1)
	16	45-72-0080 Trigger	(1)
★	17	14-38-0540 Motor Housing Assembly	(1)
★	18	23-94-9960 Ground Wire Assembly	(1)
	19	44-60-1290 Grounding Pin	(1)
	20	40-50-0085 Lock Button Spring	(1)
	21	42-42-0150 Lock Button	(1)
	22	02-04-0645 Ball Bearing	(1)
★	23	18-11-0075 120 Volt Field	(1)
★	24	42-14-0345 Baffle	(1)
★	25	06-82-7393 7-18 x 2" Pan Hd. Plastite T-20	(2)
	26	16-10-0500 120 Volt Armature Assembly	(1)
	27	22-84-0650 Fan Assembly	(1)
	28	14-13-0470 Diaphragm Assembly	(1)
	29	02-04-0847 Ball Bearing	(1)
	30	06-65-0825 1/8 x 1/2 Groove Pin No. 5	(1)
	31	02-04-0645 Ball Bearing	(1)

FIG.	PART NO.	DESCRIPTION OF PART	NO. REQ.
	32	02-50-1620 Needle Bearing	(1)
	33	45-88-7721 Heat Treated Washer	(1)
	34	32-40-1815 Intermediate Gear	(1)
	35	06-42-0400 Woodruff Key	(1)
	36	36-66-4250 Intermediate Pinion	(1)
	37	14-30-0340 Gear Case Assembly	(1)
	38	Gear Case	(1)
	39	02-50-4050 Needle Bearing	(1)
	40	02-04-0640 Ball Bearing	(1)
	41	32-10-4035 Clutch Gear Assembly	(1)
	42	32-75-2920 Spindle Gear	(1)
	43	36-14-0680 Gear Shaft	(1)
	44	42-70-5030 Drive Clutch	(1)
	45	45-88-0705 Spring Washer	(1)
	46	45-88-0550 Flat Washer	(1)
	47	34-60-0510 External Retaining Ring	(1)
	48	44-60-0500 Thrust Pin	(1)
	49	40-50-0080 Separator Spring	(1)
	50	14-73-0120 Chuck Shaft Assembly	(1)
	51	42-66-6770 Chuck Shaft	(1)
	52	02-50-1615 Needle Bearing	(1)
	53	02-55-0150 Loose Roller Bearing	(1)
	54	40-50-1450 Bit Retaining Spring	(1)
	55	06-82-7411 7-18 x 2-3/16" Pan Hd. Plastite T-20	(3)
	56	48-32-2500 Bit Housing	(1)
	57	49-26-1040 Locator Assembly	(1)
	58	48-32-3025 Magnet Bit Holder 1/4 Hex	(1)
	59	48-32-1050 Insert Bit No. 2 Phil. 1/4 Hex	(1)
	60	06-82-7212 4-20x 1/4" Pan Hd. Plastite T-10	(1)
		10-98-5986 Warning Label	(1)

**FIG. LUBRICATION**

38 1-1/2 Oz. Type "E" Grease, No. 49-08-4122.  
Place grease near intermediate shaft ball bearing in gear case.

**MILWAUKEE ELECTRIC TOOL CORPORATION**  
13135 W. LISBON RD., BROOKFIELD, WI 53005