



SERVICE PARTS LIST

BULLETIN NO.
55-42-5155

SPECIFY CATALOG NO. AND SERIAL NO. WHEN ORDERING PARTS		REVISED BULLETIN	DATE
0-2500 R.P.M. REV. DRYWALL SCREWDRIVER			Dec. '88
CATALOG NO. 6747-4	STARTING SERIAL NO. 453-1001	WIRING INSTRUCTION 58-03-0980	

EXAMPLE:
Component Parts (Small #)
Are Included When Ordering
The Assembly (Large #).

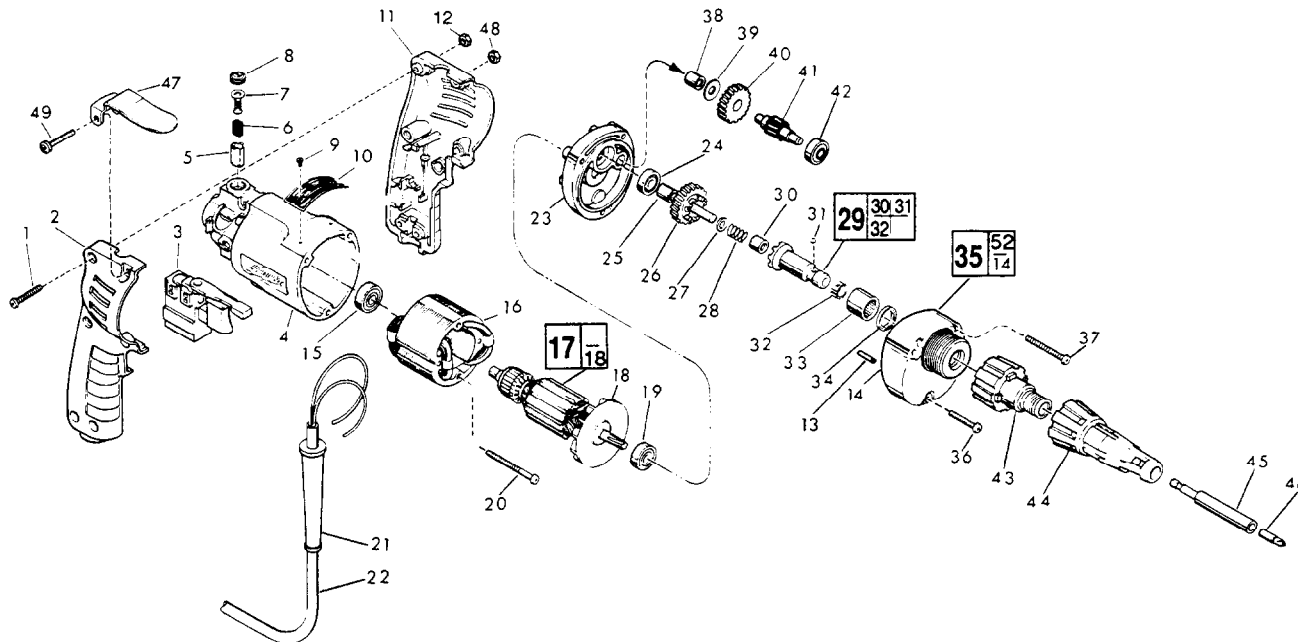


FIG. PART NO.	DESCRIPTION	NO. REQ.	FIG. PART NO.	DESCRIPTION	NO. REQ.
1	06-82-2361 8-32 x 15/16" Pan Hd. Slit. Torx Screw	(5)	31	02-02-0130 Steel Ball	(1)
2	31-44-1130 Right Handle Half	(1)	32	40-50-0510 Bit Retaining Spring	(1)
3	23-66-1505 Speed Control Switch	(1)	33	02-50-4220 Needle Roller Bearing	(1)
4	31-50-0346 Motor Housing	(1)	34	45-06-0106 Oil Seal	(1)
5	22-20-0530 Brush Tube	(2)	35	14-30-0600 Gear Case Assembly	(1)
6	22-16-0275 Carbon Brush	(2)	36	06-82-7344 7-18 x 1-1/2" Pan Hd. Slit. Plast. Torx Screw	(1)
7	23-52-0210 Brush Spring Assembly	(2)	37	06-82-7440 7-18 x 2-1/2" Pan Hd. Slit. Plast. Torx Screw	(2)
8	23-44-0120 Brush Retaining Screw	(2)	38	02-50-2410 Needle Bearing	(1)
9	06-85-0200 Nameplate Screw	(2)	39	45-88-7990 Thrust Washer	(1)
10	12-99-0570 Nameplate Blank	(1)	40	32-40-1612 Intermediate Gear	(1)
11	31-44-1140 Left Handle Half	(1)	41	36-66-4101 Intermediate Pinion Shaft	(1)
12	06-55-0835 8-32 Hex Nut	(5)	42	02-04-0640 Ball Bearing	(1)
13	06-65-0825 1/8 x 1/2 Groove Pin 5	(1)	43	48-32-2500 Bit Housing	(1)
14	28-14-1960 Gear Case	(1)	44	49-26-1040 Locator Assembly	(1)
15	02-04-0645 Ball Bearing	(1)	45	48-32-3065 Magnetic Bit Holder	(1)
16	18-14-0130 220 Volt Field	(1)	46	48-32-1050 #2 Insert Bit	(1)
17	16-14-0591 220 Volt Armature	(1)	47	42-70-0280 Belt Clip	(1)
18	22-84-0440 Fan Assembly	(1)	48	06-55-0825 8-32 Hex Nut	(1)
19	02-04-0848 Ball Bearing	(1)	49	06-82-2363 8-32 x 1" Pan Hd. Torx Screw	(1)
20	06-82-7393 7-18x2" Pan Hd. Slit. Plast. Torx Screw	(2)			
21	44-76-0150 Cord Protector	(1)			
22	22-64-4480 Cord Set	(1)			
23	28-28-1800 Diaphragm	(1)			
24	02-04-0645 Ball Bearing	(1)			
25	45-36-1280 Spacer	(1)			
26	32-10-4045 Clutch Gear Assembly	(1)			
27	45-88-0712 Thrust Washer	(1)			
28	40-50-6600 Separator Spring	(1)			
29	42-66-0766 Clutch Chuck Assembly	(1)			
30	02-50-2400 Needle Bearing	(1)			

FIG. LUBRICATION
14 1-1/2 Oz. Type "E" Grease, No. 49-06-4121.
Place Near Intermediate Shaft Ball Bearing
In Gear Case.

FIG. NOTES
1,49 Torque to 14-18 In./Lbs.
20,36, Torque to 15-20 In./Lbs.
37