



# SERVICE PARTS LIST

## DRYWALL SCREWDRIVER

Catalog No. **6747-1**

Starting Serial No. **453-57414**

Specify Catalog and Serial No. when ordering parts

BUL. **54-42-5152**

REVISED BUL.  
54-42-5151

DATE  
Aug. '77

WIRING INSTRUCTIONS  
**58-01-0647**

2500 R.P.M.

4.5 AMPS

FOR CAT. NO. 6747-3 (240V) TOOL USE:  
22-64-4200 CORD SET  
22-18-0375 CARBON BRUSH  
18-16-0015 FIELD  
16-16-0400 ARMATURE

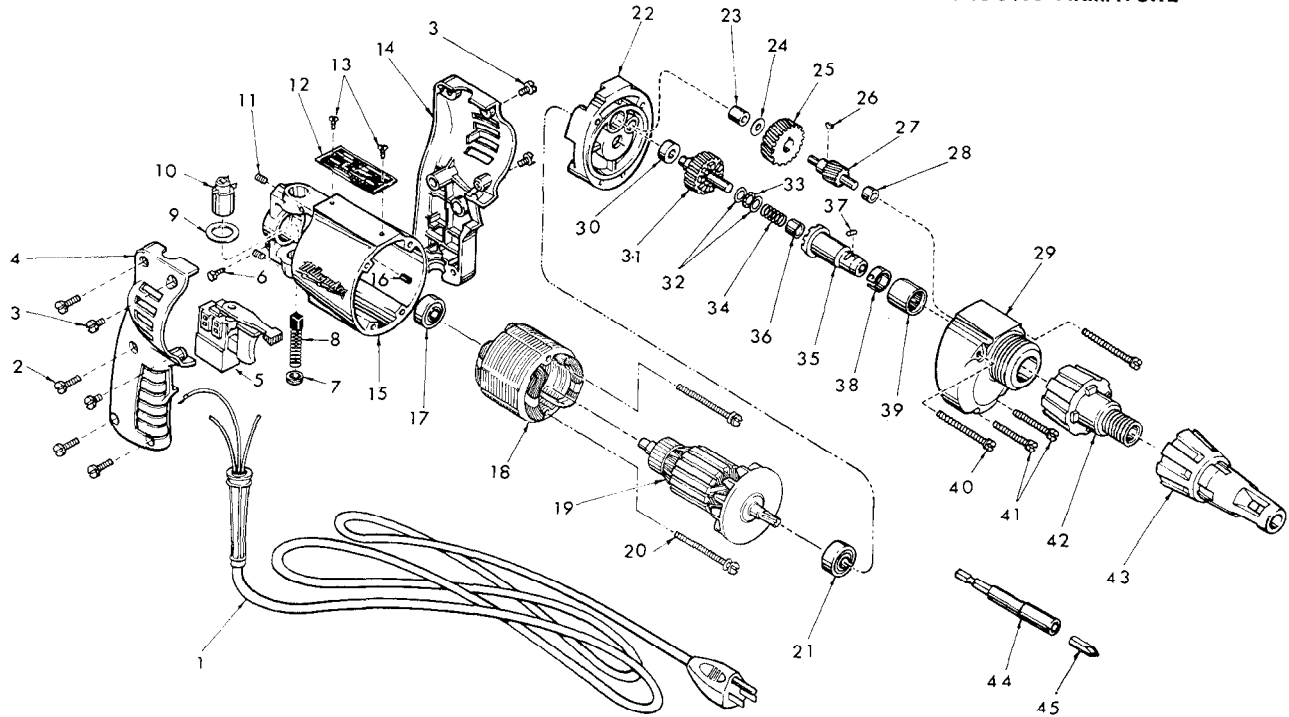


FIG.	PART NO.	DESCRIPTION OF PART	NO. REQ.	FIG.	PART NO.	DESCRIPTION OF PART	NO. REQ.
	1	22-64-0665 Cord Set	(1)	24	45-88-7280	Nylon Thrust Washer	(1)
	2	06-81-0400 8-32x3/4 Pan Head Screw	(4)	25	32-40-1611	Intermediate Gear	(1)
	3	06-81-0450 8-32x3/8 Pan Head Screw	(4)	26	06-42-0400	Woodruff Key	(1)
★	4	31-44-0610 R. H. Handle Half	(1)	27	36-66-4100	Intermediate Pinion Shaft	(1)
★	5	23-66-0816 Double Pole Rev. Switch	(1)	28	02-50-1635	Needle Bearing	(1)
	6	06-81-8625 6-32x1/4 Ground Screw	(1)	29	28-14-1210	Gear Case (Includes 06-65-0825 Groove Pin)	(1)
	7	23-44-0020 Brush Retaining Screw	(2)	30	02-08-0210	Ball Bearing	(1)
★	8	22-18-0362 Carbon Brush	(2)	31	32-10-2500	Clutch Gear	(1)
	9	23-86-0105 Washer	(2)	32	45-88-0550	Thrust Washer	(2)
	10	22-22-0251 Brush Holder Assy.	(2)	33	02-80-0100	Thrust Bearing	(1)
	11	06-83-2430 10-32x1/4 Hdls. Skt. Screw	(2)	34	40-50-6600	Separator Spring	(1)
	12	12-99-0021 Nameplate	(1)	35	42-66-0751	Drive Chuck (Includes Figs. 36 thru 38)	(1)
	13	06-85-0200 6x1/4 Round Hd. Type Z Screw	(2)	36	02-50-1610	Needle Bearing	(1)
★	14	31-44-0620 L. H. Handle Half	(1)	37	02-55-0150	Loose Roller Bearing	(1)
	15	28-50-6091 Motor Housing (Includes Fig. 16)	(1)	38	40-50-1450	Bit Retaining Spring	(1)
	16	45-30-0120 Ball Bearing Retaining Slug	(1)	39	02-50-4050	Needle Bearing	(1)
	17	02-04-0740 Ball Bearing	(1)	40	06-81-6740	8-32x2 Fil. Hd. Sem	(2)
★	18	18-10-0015 120 V. Field	(1)	41	06-81-6550	8-32x1-1/2 Fil. Hd. Sem	(2)
★	19	16-10-0400 120 V. Armature	(1)	42	48-32-2500	Bit Housing	(1)
★	20	06-81-5950 6-32x1-7/8 Fil. Hd. Sems	(2)	43	49-26-1000	Drywall Locator	(1)
	21	02-04-0880 Ball Bearing	(1)	44	48-32-3025	1/4 Hex Magnetic Bit Holder	(1)
	22	28-28-1451 Diaphragm	(1)	45	48-32-1050	1/4 Hex No. 2 Phillips Insert Bit	(1)
	23	02-50-1210 Needle Bearing	(1)	46	12-98-7081	Caution Plate (Not Shown)	(1)