



SERVICE PARTS LIST

BULLETIN NO.
55-42-6101

SPECIFY CATALOG NO. AND SERIAL NO. WHEN ORDERING PARTS		REVISED BULLETIN	DATE
31.75mm-41.25mm SHARPFIRE		55-42-6100	Dec. 2002
CATALOG NO.	6707-50	WIRING INSTRUCTION	
STARTING SERIAL NO.	120B	58-03-1800	

EXAMPLE:

00	0
----	---

 Component Parts (Small #) Are Included
 When Ordering The Assembly (Large #).

NOTE: 6707-50 Includes Magazine Attachment No. 48-05-1000. See Reverse Side.

★=Part number change from previous service parts list.

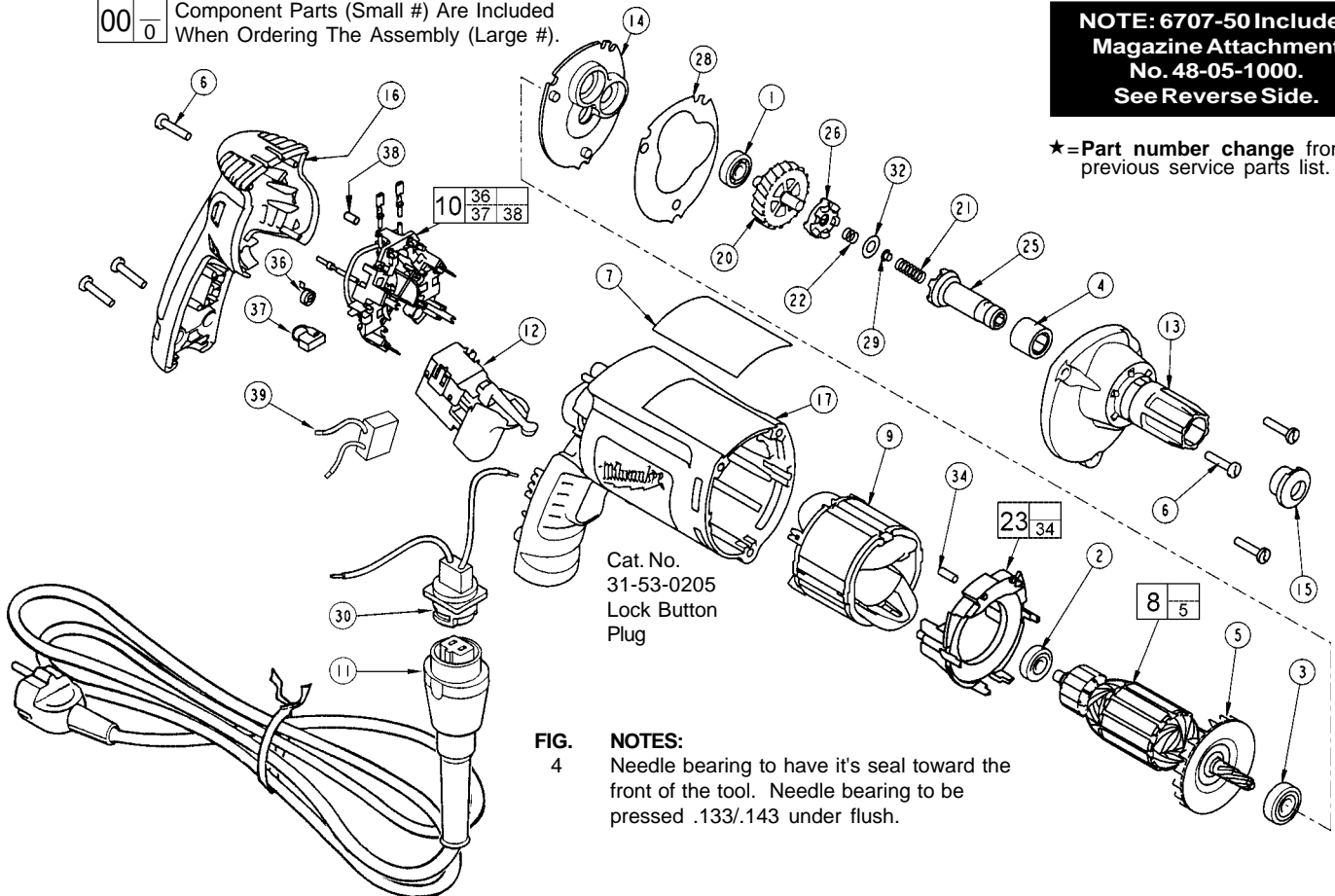


FIG. 4 NOTES:
 4 Needle bearing to have its seal toward the front of the tool. Needle bearing to be pressed .133/.143 under flush.

FIG.	PART NO.	DESCRIPTION OF PART	NO. REQ.
1	02-04-0640	Ball Bearing	(1)
2	02-04-0645	Ball Bearing	(1)
3	02-04-0852	Ball Bearing	(1)
4	02-50-3245	Needle Bearing	(1)
5	22-84-0840	Fan	(1)
6	06-82-7275	7-18 x 3/4" Slotted Plastite Torx T-20	(6)
7	12-99-2705	Service Nameplate	(1)
★ 8	16-14-2201	Armature	(1)
9	18-04-2200	Field	(1)
10	22-18-1220	Brush Card Assembly	(1)
11	48-76-5012	Quik-Lok Cord Set	(1)
11	22-64-0684	Quik-Lok Cord Set (Australia)	(1)
12	23-66-2135	Switch	(1)
13	28-14-2375	Gearcase	(1)
14	28-28-2315	Diaphragm	(1)
15	30-37-0046	Drywall Nose Guide	(1)
16	31-15-2030	Handle Halve	(1)
17	31-50-2030	Motor Housing	(1)
★ 20	32-10-0521	Clutch Gear Assembly	(1)
21	40-50-0095	Separator Spring	(1)
22	40-50-8515	Bias Spring	(1)
23	42-14-0460	Baffle Assembly	(1)
25	42-66-0715	Clutch Chuck Assembly	(1)
26	42-70-0310	Drive Clutch	(1)
28	43-44-0985	Gasket	(1)
29	44-60-0505	Thrust Pin	(1)
30	22-56-1015	Blade Housing Assembly	(1)

FIG.	PART NO.	DESCRIPTION OF PART	NO. REQ.
32	45-88-0555	Clutch Thrust Washer	(1)
34	45-30-0030	Slug	(2)
36	23-52-1610	Brush Spring	(2)
37	22-18-1320	Brush Assembly	(2)
38	45-30-0035	Slug	(1)
39	22-33-0550	Suppressor	(1)

FIG. LUBRICATION:
 20,22 Place .02 oz. (.5 grams) of type "Y" grease, No 49-08-5270, on bias spring. Place .02 oz. (.5 grams) total of grease in the clutch pockets of clutch gear.
 8,13 Place .27 oz. (7.6 grams) of type "Y" grease at the armature pinion location in the gearcase pocket and push down .20".
 13,14 Apply a light film of type "Y" grease to needle and ball bearing pockets in diaphragm and gearcase prior to pressing bearings in.
 21,32 Place .02 oz. (.5 grams) of type "Y" grease to clutch thrust washer, thrust pin and separator spring during assembly.



SERVICE PARTS LIST

BULLETIN NO.

SPECIFY CATALOG NO. AND SERIAL NO. WHEN ORDERING PARTS		REVISED BULLETIN	DATE
SCREW-SHOOTER MAGAZINE ATTACHMENT			
CATALOG NO. 48-05-1000	STARTING SERIAL NO. 119408022	WIRING INSTRUCTION	

EXAMPLE:

00 0 Component Parts (Small #) Are Included
0 0 When Ordering The Assembly (Large #).

Cat. No. 48-05-1000
Magazine Attachment
Includes Items 1 through 34.
Items 35 and 36
are sold separately.

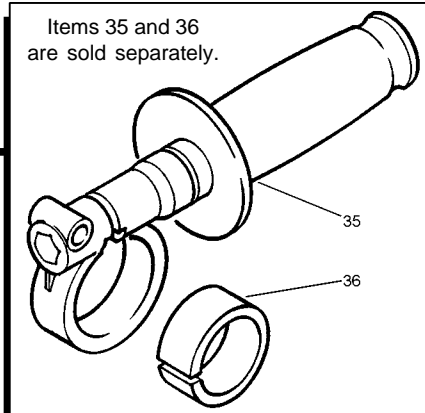
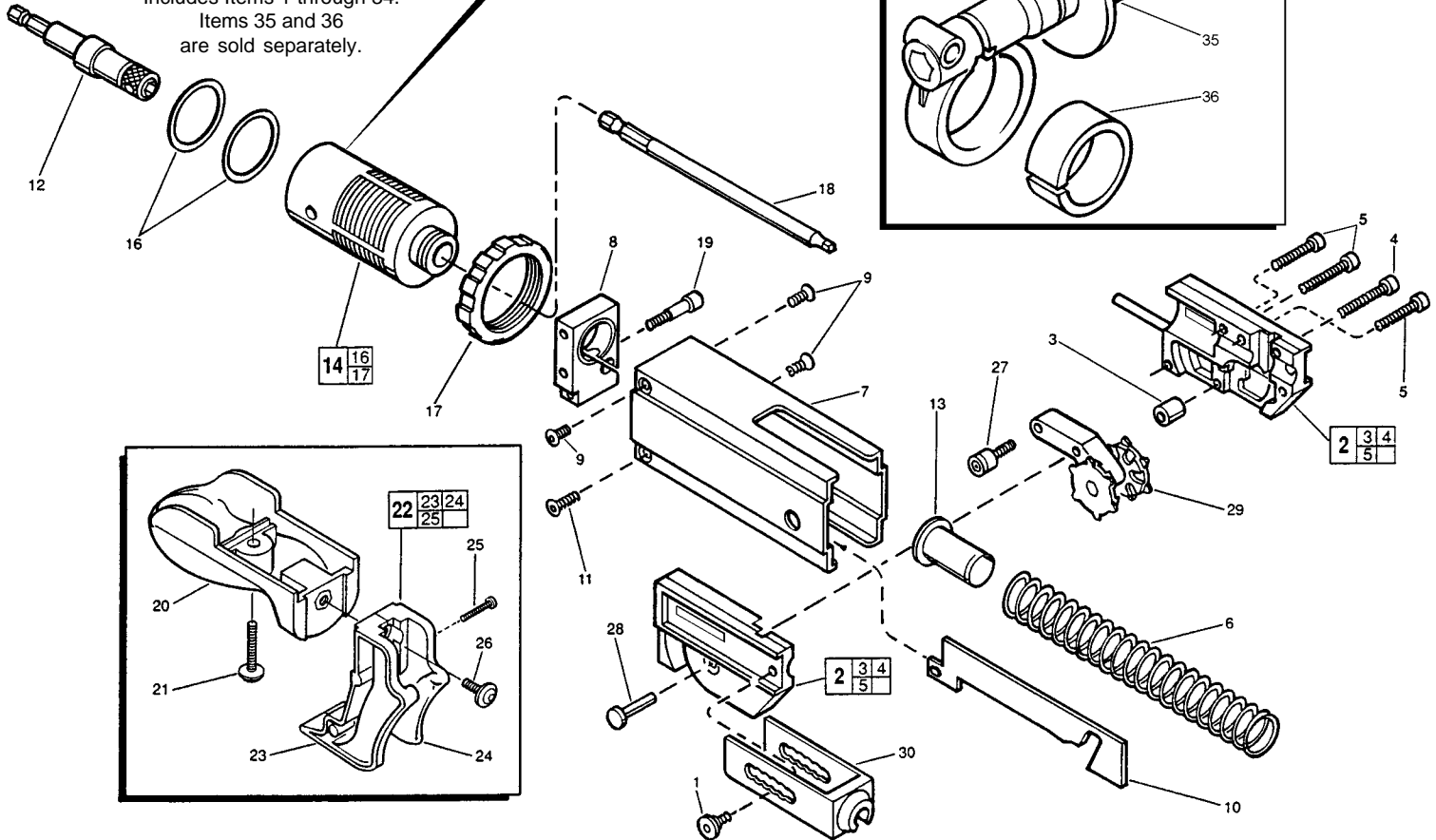


FIG.	PART NO.	DESCRIPTION OF PART	NO. REQ.
1	06-81-1700	M5 x 0.8 x 5. lg, 3mm Skt. Hd. Sld. Sc.	2
2	43-56-0315	Gliding Assembly (Incl. 3,4,5)	1
3	42-40-0001	Distance Bearing Bushing	1
4	06-95-1000	M3.5 x 22. lg, Phillips Pan Hd. Plast. Sc.	1
5	06-95-1005	M3.5 x 24. lg, Phillips Pan Hd. Plast. Sc.	3
6	40-50-0405	Spring (Blue)	1
7	43-76-0050	Housing	1
8	44-66-1500	Mounting Plate	1
9	06-81-2000	M4 x 0.7 x 8. lg, 2.5mm Skt. Hd. Flat Sc.	3
10	44-66-0305	Curve Plate	1
11	06-81-2005	M4 x 0.7 x 10. lg, 2.5mm Skt. Hd. Flat Sc.	1
12	43-72-0010	Bit Holder	1
13	43-56-0300	Spring Guide	1
14	43-76-0296	Adapter Assembly	1
16	34-40-0700	O-Ring	2
17	44-40-0575	Stop Nut	2
18	48-30-1521	120mm #2 Phillips Bit (Not Shown)	1
18A	48-30-1526	120mm #2 Square Bit	1
19	06-81-2010	M5 x 0.8 x 25. lg, 4mm Skt. Hd. Sld. Sc.	1
20	43-62-1230	Handle	1
21	06-81-2015	M5 x 0.8 x 25. lg, 3mm Skt. Hd. Sld. Sc.	1
22	43-56-0305	Plastic Belt Guide (Incl. 23,24,25)	1
23	43-56-0320	Belt Guide-Right	1
24	43-56-0325	Belt Guide-Left	1
25	06-95-1010	Assembly Guide Screw	2
26	06-81-2020	M5 x 0.8 x 12 lg, 4mm Skt.1 Hd. Pan Sc.	1
27	06-81-2025	M5 x 0.8, 3mm Socket Hd. Roller Screw	1

FIG.	PART NO.	DESCRIPTION OF PART	NO. REQ.
28	44-60-1520	Pivot Pin	1
29	42-74-0095	Gear Wheel Unit	1
30	43-46-0207	Depth Control, 31.75mm to 50mm	1
	49-96-4800	Hex Key Set-2, 2.5, 3 & 4mm (Not Shown)	1
	10-15-6100	Depth Label (Not Shown)	1
	12-25-1470	Warning Label (Not Shown)	1
35	14-34-0506	Side Handle Assembly	1
36	42-40-0507	Bushing	1

FIG. NOTES:
9,11 Use Loctite 272 on screws.

MILWAUKEE ELECTRIC TOOL CORPORATION
13135 W. LISBON RD., BROOKFIELD, WI 53005