



# SERVICE PARTS LIST

**BUL. 54-42-4253**

## SCREWDRIVER

REVISED BUL. 54-42-4253 DATE 70

**Catalog No. 6640-1**

Starting Serial No. **123-1586**

WIRING INSTR. **58-01-0210**

Both Model and Serial No. must be furnished to obtain correct parts.

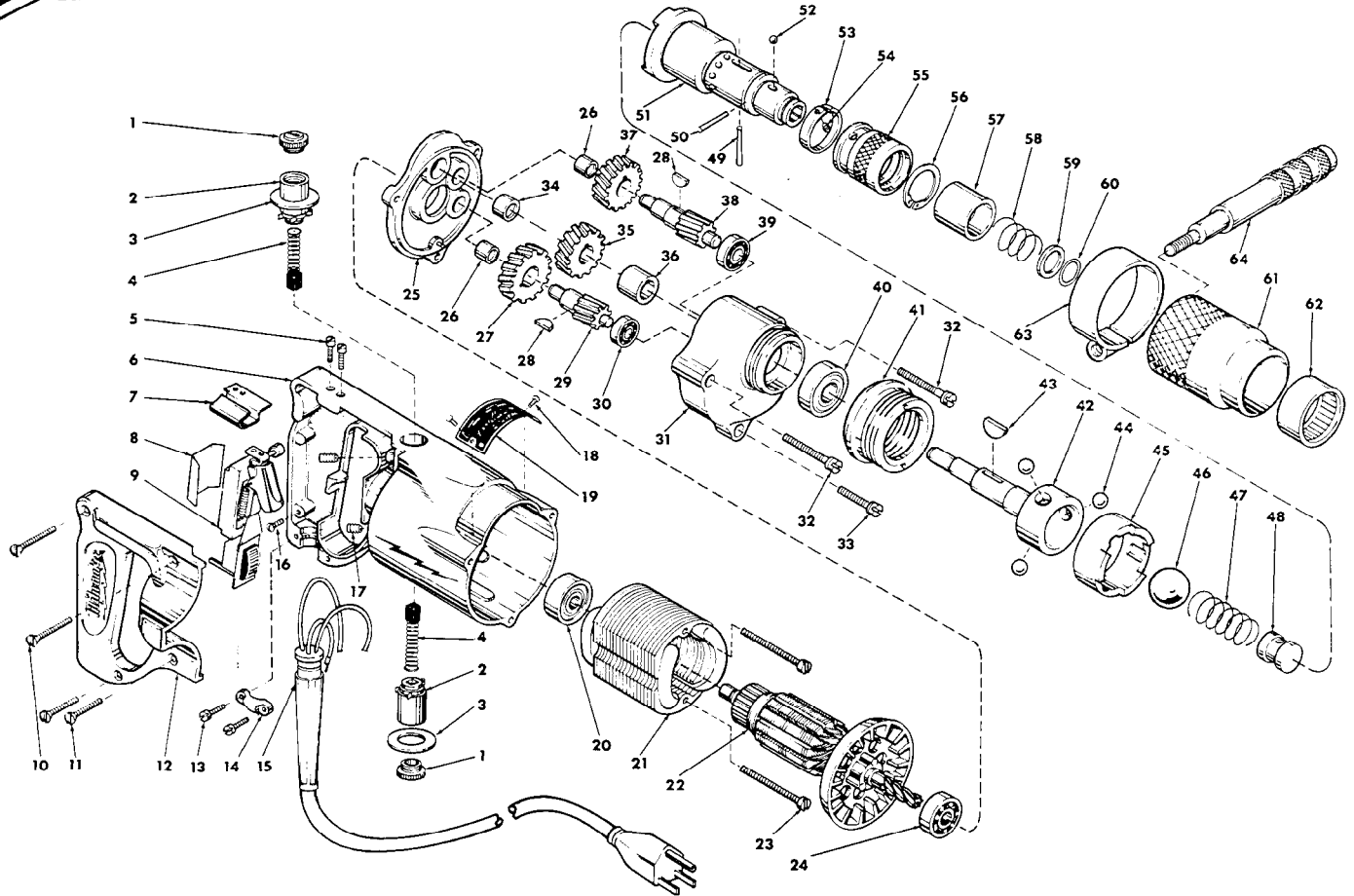


FIG.	PART NO.	DESCRIPTION OF PART	NO. REQ.	FIG.	PART NO.	DESCRIPTION OF PART	NO. REQ.
	1	23-44-0060	(2)		33	06-81-6350	8-32x1 Fil.Hd. Sem
	2	22-22-0080	(2)		34	02-50-2110	Needle Bearing
	3	23-86-0110	(2)		35	32-75-2061	Spindle Gear
	4	22-18-0100	(2)		36	45-36-0210	Spindle Gear Spacer
	5	06-81-5800	(2)		37	32-75-2041	Spindle Gear
	6	28-50-4488			38	36-66-4001	Intermediate Shaft
★	7	42-68-0225			39	02-04-0820	Ball Bearing
	8	23-16-0340			40	02-04-1560	Ball Bearing
	9	23-66-0485			41	42-52-0080	Adaptor Cap
	10	06-81-3750	(2)		42	38-50-3501	Spindle
	11	06-81-3700	(2)		43	06-42-1600	Woodruff Key
	12	28-20-3601			44	02-02-0340	11/32 Dia. Steel Ball
	13	06-81-6150	(2)		45	42-76-0110	Clutch Collar
	14	28-17-0400			46	02-02-1000	Steel Ball
	15	22-64-0380			47	40-50-2500	Torque Limiting Spring (Heavy)
	16	06-81-8625			48	45-24-0050	Torque Limiting Spring (Light)
	17	06-83-2650	(2)		49	06-65-0850	Slide
★	18	06-77-0625	(2)		50	06-65-0855	1/8x7/8 Groove Pin No. 2
	19	12-98-0800	(2)		51	42-66-0270	1/8x7/8 Groove Pin No. 3
	20	02-04-0970			52	02-02-0180	Chuck
	21	18-42-1141			53	44-90-0140	3/16 Dia. Steel Ball
	22	16-42-1210			54	44-68-0060	Adjusting Collar Ring
	23	06-81-6600	(2)		55	42-76-0120	Bit Retainer Plug
	24	02-04-0940			56	34-60-2000	Adjusting Collar
	25	28-28-0661			57	42-76-0090	Retaining Ring
	26	02-50-1640	(2)		58	40-50-1000	Bit Retaining Collar
	27	32-40-1241			59	45-88-0070	Collar Stop Spring
	28	06-42-0800	(2)		60	34-60-1300	Collar Stop Washer
	29	36-66-2801			61	45-22-0140	Retaining Ring
	30	02-04-0640			62	02-50-8820	Sleeve
	31	28-14-1261			63	44-90-0160	Needle Bearing
	32	06-81-6650	(2)		64	43-62-0160	Handle Ring Assembly
							Side Handle