



# SERVICE PARTS LIST

**BUL. 54-42-4251**

## SCREWDRIVER

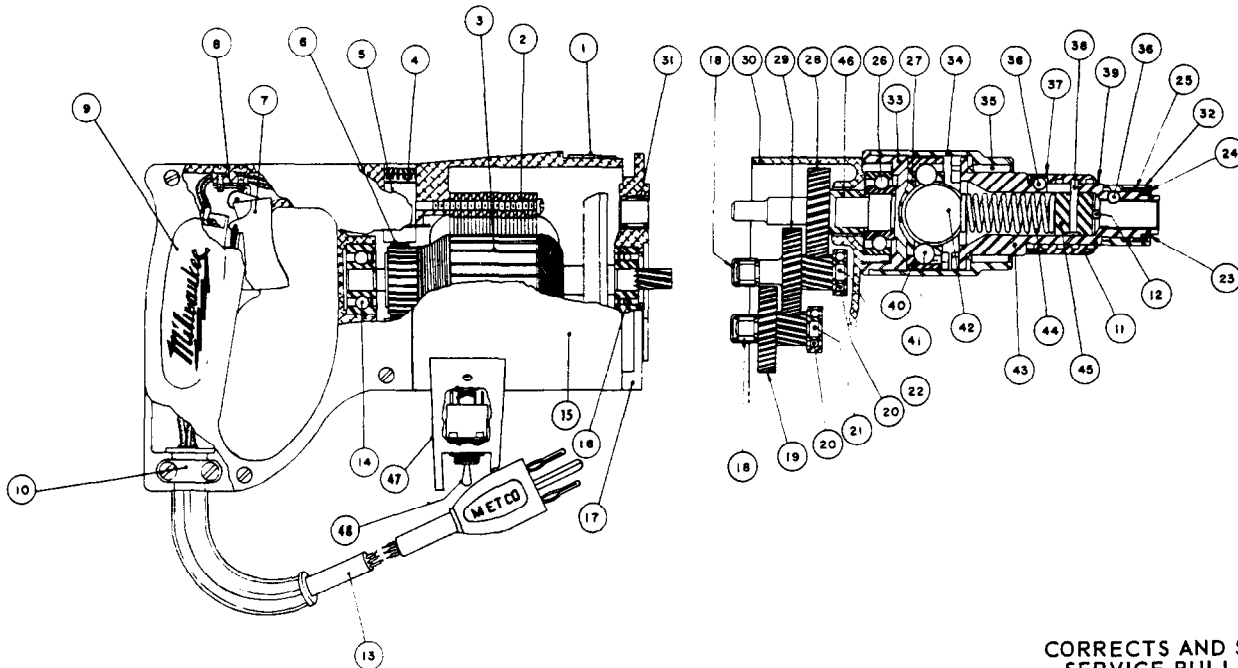
REVISED BUL 6123-2 DATE Feb. '68

**Catalog No. 6640-1**

Starting Serial No. **123-1096**

WIRING INSTR.

Both Model and Serial No. must be furnished to obtain correct parts.



CORRECTS AND SUPERCEDES SERVICE BULLETIN 6123-2 DATED 4/8/59

| FIG. | PART NO.   | DESCRIPTION OF PART              |
|------|------------|----------------------------------|
| 1    | 12-98-4500 | Name Plate                       |
| 2    | 18-42-1040 | Field Assembly                   |
| 3    | 16-42-1210 | Armature Assembly                |
| 4    | 23-44-0060 | Brush Retaining Screw            |
| 5    | 22-22-0080 | Brush Holder Assembly            |
| 6    | 22-18-0100 | Carbon Brush Assembly            |
| 7    | 23-66-0230 | Switch                           |
| 8    | 45-36-0110 | Switch Spacer                    |
| 9    | 28-20-3141 | Handle Cover                     |
| 10   | 28-17-0400 | Cord Clamp Strap                 |
| 11   | 42-76-0120 | Adjusting Collar                 |
| 12   | 06-65-0855 | 1/8x7/8 Type 3 Groove Pin        |
| 13   | 22-64-0170 | Cord Set w/Plug (3-Prong) 18 Ga. |
| 14   | 02-04-0970 | Ball Bearing (Comm. End)         |
| 15   | 28-50-4482 | Motor Housing                    |
| 16   | 02-04-0940 | Ball Bearing (Pinion End)        |
| 17   | 28-28-0661 | Diaphragm                        |
| 18   | 02-50-1640 | Needle Bearing                   |
| 19   | 32-40-1241 | Intermediate Gear                |
| 20   | 02-04-0640 | Ball Bearing                     |
| 21   | 36-66-2801 | Intermediate Pinion Shaft        |
| 22   | 36-66-2901 | Intermediate Pinion Shaft        |
| 23   | 34-60-1300 | Spirolox Retaining Ring          |
| 24   | 45-88-0070 | Collar Stop Washer               |
| 25   | 40-50-1000 | Collar Stop Spring               |

### ILLUSTRATED PARTS

| FIG. | PART NO.   | DESCRIPTION OF PART          |                           |
|------|------------|------------------------------|---------------------------|
| 26   | 02-04-1560 | Ball Bearing                 |                           |
| 27   | 38-50-3501 | Spindle                      |                           |
| 28   | 32-75-2061 | Spindle Gear                 |                           |
| (2)  | 29         | 32-75-2041                   | 2nd Int. Spindle Gear     |
| (2)  | 30         | 28-14-0961                   | Gear Case                 |
| (2)  | 31         | 02-50-2110                   | Needle Bearing            |
|      | 32         | 42-76-0090                   | Bit Retaining Collar      |
|      | 33         | 42-52-0080                   | Adapter Cap               |
|      | 34         | 45-22-0139                   | Sleeve                    |
|      | 35         | 02-50-8820                   | Needle Bearing            |
|      | 36         | 44-68-0060                   | Adjustment Plug           |
|      | 37         | 44-90-0140                   | Adjusting Collar Ring     |
|      | 38         | 06-65-0850                   | 1/8x7/8 Type 2 Groove Pin |
|      | 39         | 34-60-2000                   | Truarc Retaining Ring     |
|      | 40         | 42-76-0110                   | Clutch Collar             |
|      | 41         | 02-02-0340                   | 11/32 Dia. Steel Balls    |
|      | 42         | 02-02-1000                   | 1" Dia. Steel Ball        |
| (2)  | 43         | 42-66-0270                   | Chuck                     |
| 44a  | 40-50-2600 | Torque Limiting Spring Heavy |                           |
| 44b  | 40-50-2500 | Torque Limiting Spring Light |                           |
| 45   | 45-24-0050 | Slide                        |                           |
| 46   | 45-36-0210 | Spindle Spacer               |                           |
| 47   | 28-50-7031 | Switch Housing               |                           |
| 48   | 23-66-0220 | Reversing Switch             |                           |

### MISCELLANEOUS PARTS NOT SHOWN

| PART NO.   | DESCRIPTION OF PART                        | PART NO.   | DESCRIPTION OF PART                          |
|------------|--|------------|--|
| 06-42-0800 | Woodruff Keys                              | 06-81-8625 | 6-32x1/4 Rd.Hd.Ground Screw (Brass)          |
| 06-81-8400 | 4-40x1/4 Rd.Hd.Sems Name Plate Screws      | 06-81-6350 | 8-32x1 Fil.Hd.Gear Case Screws (Sem)         |
| 06-81-5800 | 6-32x5/16 Fil.Hd.Sems Switch Mounting Scs. | 06-81-6600 | 8-32x1-3/4 Fil.Hd.Gear Case Screws (Sem) (2) |
| 23-86-0110 | Brush Holder Insul. Washer                 | 06-81-6600 | 8-32x1-3/4 Fil.Hd. Field Screws (Sem) (2)    |
| 23-16-0085 | Switch Insulator                           | 06-83-2650 | 1/4-20x3/8 Hd'less Brush Holder Set Scs. (2) |
| 06-81-6150 | 8-32x1/2 Fil.Hd.Sems Cord Clamp Strap Scs. | 06-81-3700 | 8-32x7/8 Oval Hd. Handle Cover Screws (4)    |
| 48-03-0010 | Attachment Plug Adaptor                    |            |  |