



# SERVICE PARTS LIST

BUL. 54-42-4250

## SCREWDRIVER

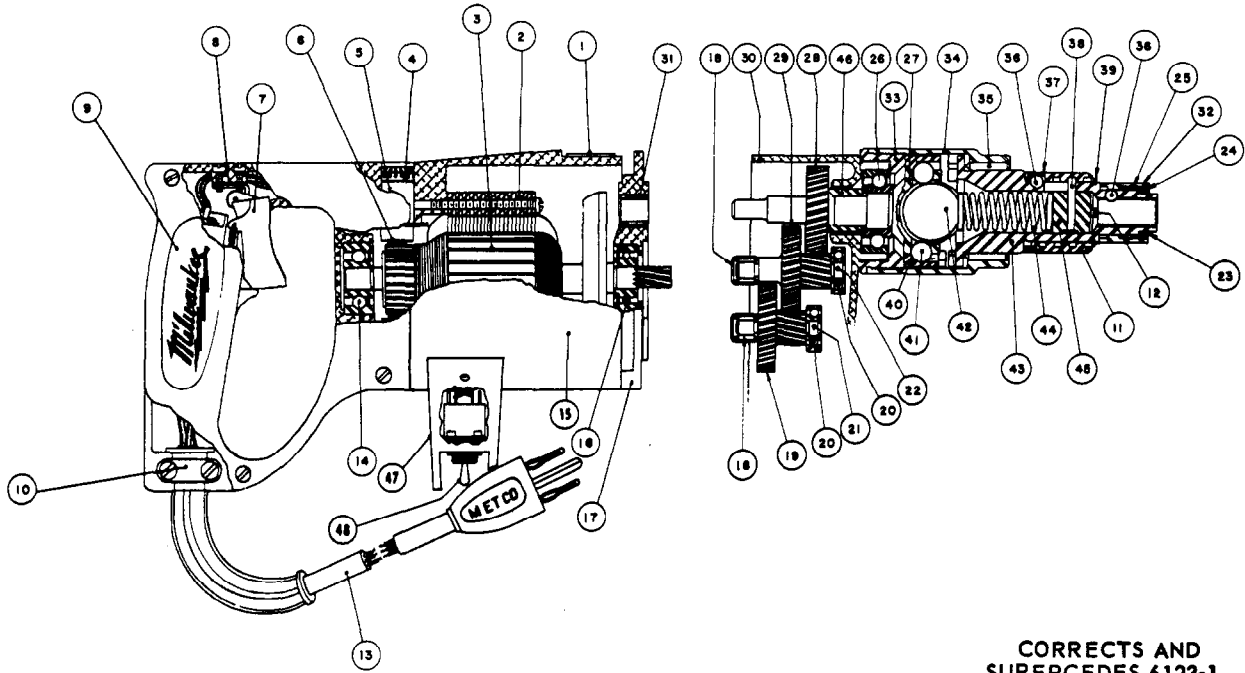
REVISED BUL 6123-1 DATE Feb. '68

MODEL NO. 625R

Starting Serial No. 123-1001

WIRING INSTR.

Both Model and Serial No. must be furnished to obtain correct parts.



CORRECTS AND SUPERCEDES 6123-1 DATED 11/11/57

### ILLUSTRATED PARTS

FIG.	PART NO.	DESCRIPTION OF PART
1	625-1R	Name Plate
2	12D-700A	Field Assembly
3	42S-600B	Armature Assembly
4	44D-40	Brush Retaining Screw (2)
5	44D-320	Brush Holder Assembly (2)
6	44D-370	Carbon Brush Assembly (2)
7	CH8909K144	Switch
8	4BF1-1	Switch Spacer
9	4BF1-2	Handle Cover
10	8B1-3	Cord Clamp Strap
11	38A21-1	Adjusting Collar
12	1/8x7/8	Type 3 Groove Pin
13	18G-8SR2	Cord Set w/Plug (3-Prong) 18 Ga.
14	NH9009D	Armature Ball Brg. (Comm. End)
15	4BF-1R	Motor Housing
16	WC8039	Armature Ball Brg. (Pinion End)
17	12S-2	Diaphragm
18	M-471	Inter. Shaft Needle Brg. (2)
19	12D-14A	Intermediate Gear
20	#36	Intermediate Shaft Ball Brg.
21	42S-131	Intermediate Pinion Shaft
22	43S-132	Intermediate Pinion Shaft
23	RST-62	Spirolox Retaining Ring
24	1SD-7	Collar Stop Washer
25	1SD-8	Collar Stop Spring

FIG.	PART NO.	DESCRIPTION OF PART
26	ND8502	Spindle Ball Bearing
27	38A-8	Spindle
28	43S-11	Spindle Gear
29	42S-11	2nd Int. Spindle Gear
30	22S-3	Gear Case
31	MNB-31	Spindle Needle Bearing
32	1SD-6	Bit Retaining Collar
33	38A3-1	Adapter Cap
34	38A-20	Sleeve
35	B-2212	Chuck Needle Bearing
36	3/16 Dia.	Steel Balls
37	38A21-2	Ball Retaining Ring
38	1/8x7/8	Type 2 Groove Pin
39	RST-100	Spirolox Retaining Ring
40	38A8-1	Clutch Collar
41	11/32 Dia.	Steel Balls
42	1616	Steel Ball 1" Dia.
43	38A-21	Chuck
44a	38A21-4	Torque Limiting Spring Light
44b	38A21-5	Torque Limiting Spring Heavy
45	38A21-3	Slide
46	42S8-1	Spindle Spacer
47	4BF1-4	Switch Housing
48	8908K355	Reversing Switch

### MISCELLANEOUS PARTS NOT SHOWN

SIZE OR PART NO.	DESCRIPTION OF PART
#207	Woodruff Keys (3)
4-40x3/16 Rd. Hd.	Name Plate Screws (2)
6-32x5/16 Fil.Hd.Sems	Switch Mounting Screws (2)
44D-34	Brush Holder Insul. Washer(2)
4BF-24	Switch Insulator
8-32x7/16 Fil. Hd.	Cord Clamp Strap Screws (2)

SIZE OR PART NO.	DESCRIPTION OF PART
6-32x1/4 Rd. Hd.	Ground Screw (Brass)
8-32x1 Fil. Hd.	Gear Case Screws (Sem)
8-32x1 1/2 Fil. Hd.	Gear Case Screws (Sem) (2)
8-32x1 3/4 Fil. Hd.	Field Screws (Sem) (2)
1/4-20x3/8 Hd'less.	Brush Holder Set Screws (2)
8-32x7/8 Oval Hd.	Handle Cover Screws (4)
3PA-1	Attach. Plug Adaptor