



SERVICE PARTS LIST

BUL. 54-42-4001

SCREWDRIVER

REVISED BUL
634-2

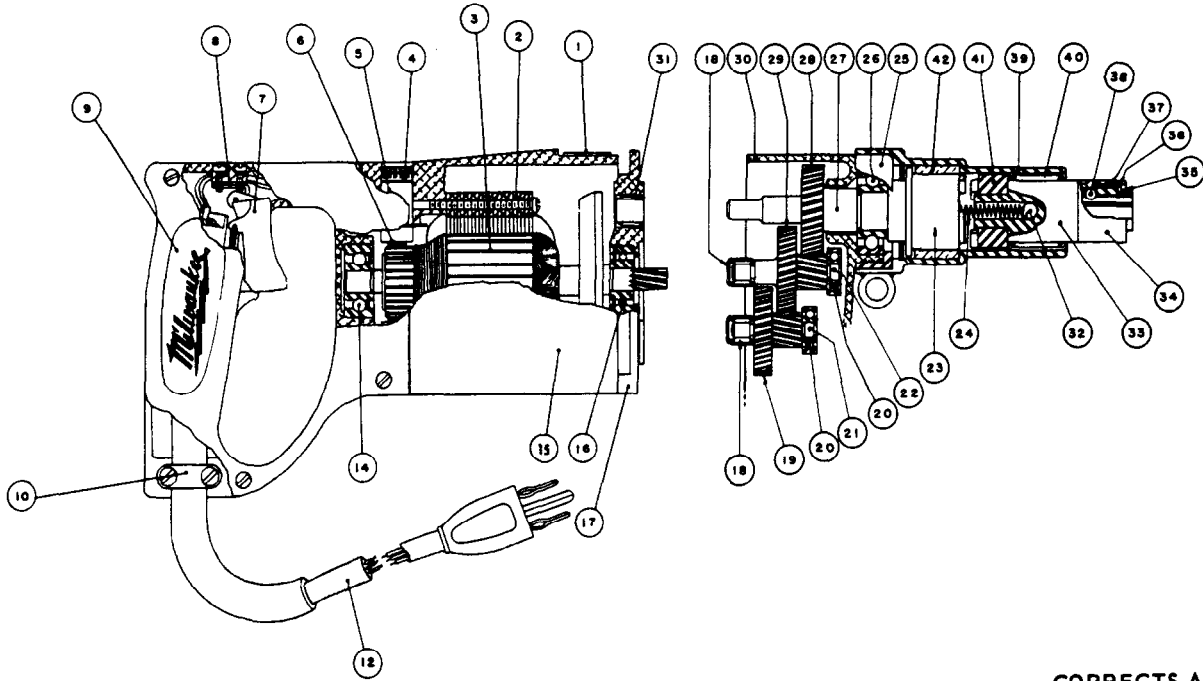
DATE
Feb. '68

Catalog No. 6620

Starting
Serial No. **34-1264**

WIRING INSTR.

Both Model and Serial No. must be furnished to obtain correct parts.



**CORRECTS AND SUPERCEDES
SERVICE BULLETIN 634-2
DATED 4/8/58**

FIG.	PART NO.	DESCRIPTION OF PART
1	12-98-0800	Name Plate
2	18-42-1040	Field Assembly
3	16-42-1210	Armature Assembly
4	23-44-0060	Brush Retaining Screw
5	22-22-0080	Brush Holder Assembly
6	22-18-0100	Carbon Brush Assemblies
7	23-66-0230	Switch
8	45-36-0110	Switch Spacer
9	28-20-3141	Handle Cover
10	28-17-0400	Cord Clamp Strap
12	22-64-0170	Cord Set
14	02-04-0970	Ball Bearing (Comm. End)
15	28-50-4481	Motor Housing
16	02-04-0940	Ball Bearing (Pinion End)
17	28-28-0661	Diaphragm
18	02-50-1640	Needle Bearing
19	32-40-1241	Intermediate Gear
20	02-04-0640	Ball Bearing
21	36-66-2801	Intermediate Pinion Shaft
22	36-66-2901	Intermediate Pinion Shaft

ILLUSTRATED PARTS

FIG.	PART NO.	DESCRIPTION OF PART	
23	43-90-0060	Driving Jaw	
24	40-50-0900	Separating Spring	
25	42-52-0071	Bearing Cap	
(2)	26	02-04-1560	Ball Bearing
(2)	27	38-50-3601	Spindle
(2)	28	32-75-2061	Spindle Gear
29	32-75-2041	Spindle Gear	
30	28-14-0961	Gear Case	
31	02-50-2110	Needle Bearing	
32	02-02-0250	Ball	
33	42-66-0165	Chuck Assembly	
34	42-76-0090	Bit Retaining Collar	
35	34-60-1300	Collar Stop Washer Retaining Ring	
36	45-88-0070	Collar Stop Washer	
37	40-50-1000	Collar Stop Spring	
38	02-02-0180	Bit Retaining Ball	
39	02-50-6440	Needle Bearing	
40	45-22-0070	Sleeve Assembly	
41	43-90-0050	Chuck Jaw	
42	42-24-0080	Driving Jaw Bearing	

MISCELLANEOUS PARTS NOT SHOWN

PART NO.	DESCRIPTION OF PART	PART NO.	DESCRIPTION OF PART
34-80-2800	Driving Jaw Retaining Ring	06-81-5800	6-32x5/16" Fil. Hd. Sems Switch Mtg. Screws (2)
43-62-0161	Handle	23-86-0110	Brush Holder Insul. Washer (2)
48-30-3250	Bit and Finder	23-16-0085	Switch Insulator
48-30-3275	Bit and Finder	06-81-6100	8-32x7/16 Fil. Hd. Sem Cord Clamp Strap Scs. (2)
48-30-3300	Bit and Finder	06-81-8625	6-32x1/4" Rd. Hd. Ground Screw (Brass)
48-32-2070	Square Driver (for Sockets)	06-81-6350	8-32x1" Fil. Hd. Gear Case Screws (Sem) (2)
06-75-0500	3/8"-16x1" Long Cap Screw	06-81-6650	8-32x1-3/4" Fil. Hd. Gear Case Screws (Sem) (2)
49-96-4060	Open End Wrench	06-81-6600	8-32x1-3/4" Fil. Hd. Field Screws (Sem) (2)
06-42-0800	Woodruff Keys	(3) 06-83-2650	1/4"-20x3/8" Hd'less Brush Holder Set Scs. (2)
06-81-8400	4-40x1/4" Rd. Hd. Name Plate Screws	(2) 06-81-3700	8-32x7/8" Oval Hd. Handle Cover Screws (4)