

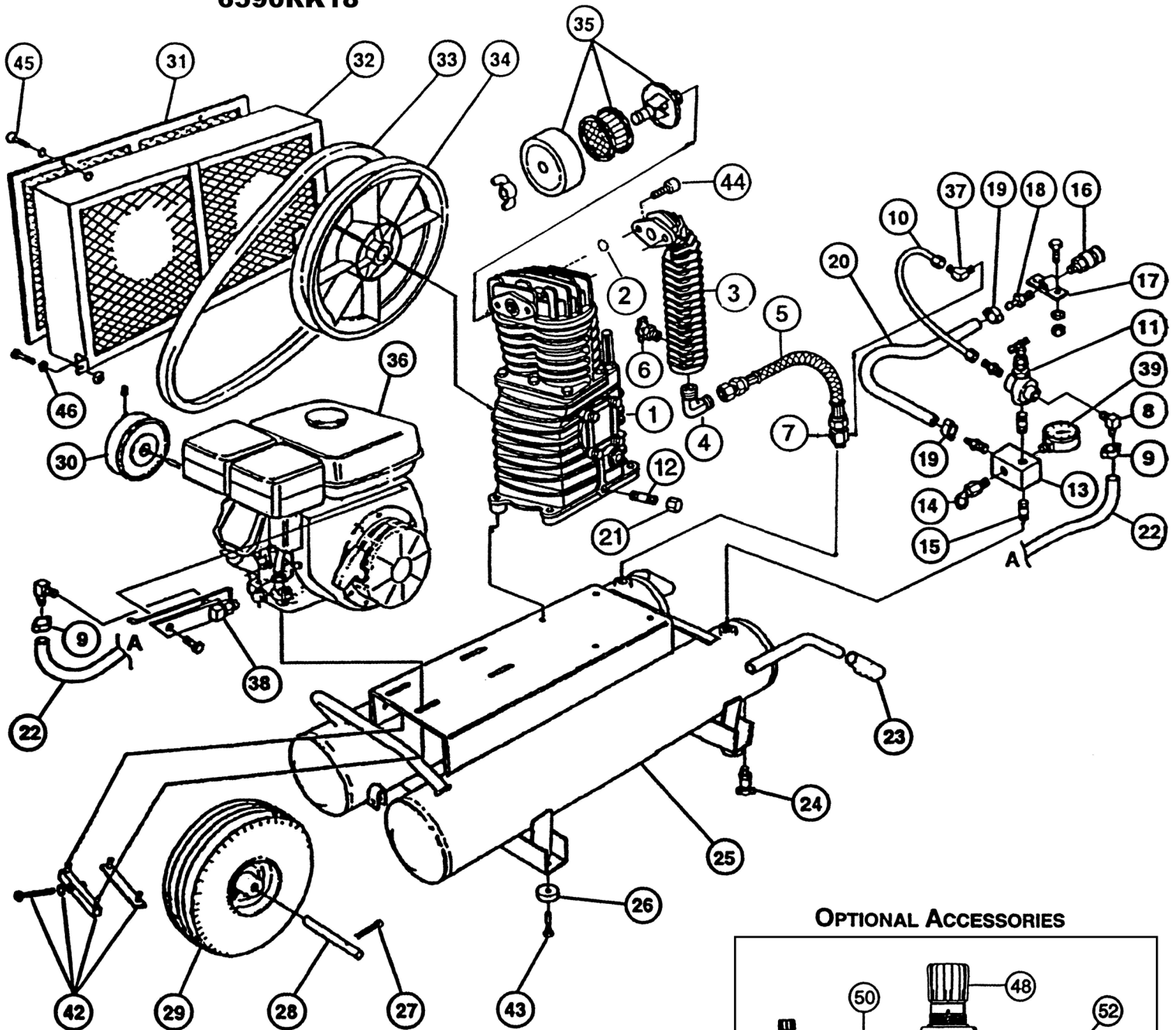


# ROLAIR

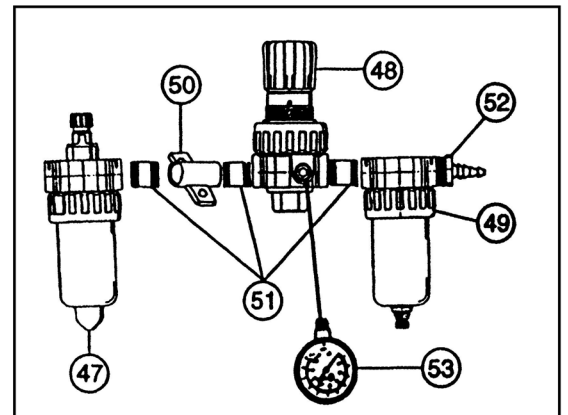
SCHEMATIC FOR MODELS

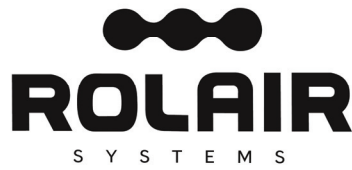
6590HK18

6590RK18



## OPTIONAL ACCESSORIES





**PARTS LIST FOR MODELS  
6590HK18 6590RK18**

Schem #	Description	Part #	Qty.	Schem #	Description	Part #	Qty.
1	Twin Cylinder Pump with Flywheel	PMP12K18CH	1	28	Axle	181	1
	Twin Cylinder Pump less Flywheel	PMP12K18CHLF	1	29	Foam-Filled Flat-Free Tire	WLS50	1
2	O-Ring	30502510CH*	1	30	Pulley (Before S/N 12010001)	PUAK44X0750	1
	Aftercooler	3290146ACH	1		(After S/N 12010001)	PUAK49X0750	1
3	Brass Elbow	145D	1	31	Belt Guard Cover (Before S/N 11070001)	***N.L.A.	1
4	Braided Discharge Tube	145F	1		(After S/N 11070001)	BG9145	1
5	Drain Valve	132	1	32	Belt Guard Base (Before S/N 11070001)	***N.L.A.	1
6	Check Valve	CV4X4TA	1		(After S/N 11070001)	BG9140B	1
7	Brass Elbow	BREL0250X0125H16	1	33	Belt	BT4L510/A49	1
8	Hose Clamp	177	2	34	Flywheel	31007280CH	1
10	1/4" Nylon Tube - 14.4"	178D	1.2'	35	Silencer/Filter Assembly	FS14050	1
	Brass Nut	BRNT0250	2		Filter Element - Replacement for Above	431	1
	Brass Sleeve	BRSLO250	2	36	Honda Engine	ENG06H01	1
	Brass Ring	BRRG0250	2		Optional Engine Drain Extension for Above	HDE5	1
11	Pilot Unloader Valve	131B	1	Robin Engine	ENG06R01	1	
	Felt Muffler	131BM	1	38	Throttle Control Kit	192EGX160K1QX	1
	Retainer Ring	131BR	1	39	Gauge	GA0250200GC	1
12	Nipple	BLNP0250X1500	1	42	Belt Tightener/Mounting Kit	SPT5HP-ANGLE**	1
13	Aluminum Block Manifold	154	1	43	Screw	MIS10008	4
14	Safety Relief Valve	SRV0250N165	1	44	Bolt	37302530CH	2
15	Nipple	BLNP0500X1500	1	45	Spinlock Bolt	MIS10094	5
16	Quick Disconnect	309A	1	46	Bolt	MIS10022	2
17	Accessory Bracket	210	1		Lock Washer	MIS10099	2
18	Brass Coupler	BRCP0375X0375H12	2		Washer	MIS10108	2
19	Hose Clamp	177A	2	<b>(Accessories)</b>			
20	3/8" Rubber Hose - 16"	178A	1.34'	47	Lubricator	LUB0375	1
21	Cap	BLCA0250	1	48	Regulator	REG0375	1
22	1/4" Rubber Hose - 36"	178	3.0'	49	Filter	FIL0375	1
23	Handle Grip	328	2	50	Accessory Bracket	210	1
	Drain Valve	132BV	2		51	Nipple	BLNP0375X1500
24	Twin Tank Assy - Honda	TNKASY6590H	1	52	Brass Coupler	BRCP0375X0375H12	1
	- Robin	TNKASY6590R	1		53	Gauge	GA0250200GC
25	Rubber Foot	219	4				
26	Cotter Pin	181A	2				

\*For units built prior to February 2000, order gasket 30501490CH

\*\*For units built prior to February 2005, order SBT5HP-SQUARE

\*\*\* For units built prior to July 2011, order complete belt guard, part number BG9140B and BG9145.

