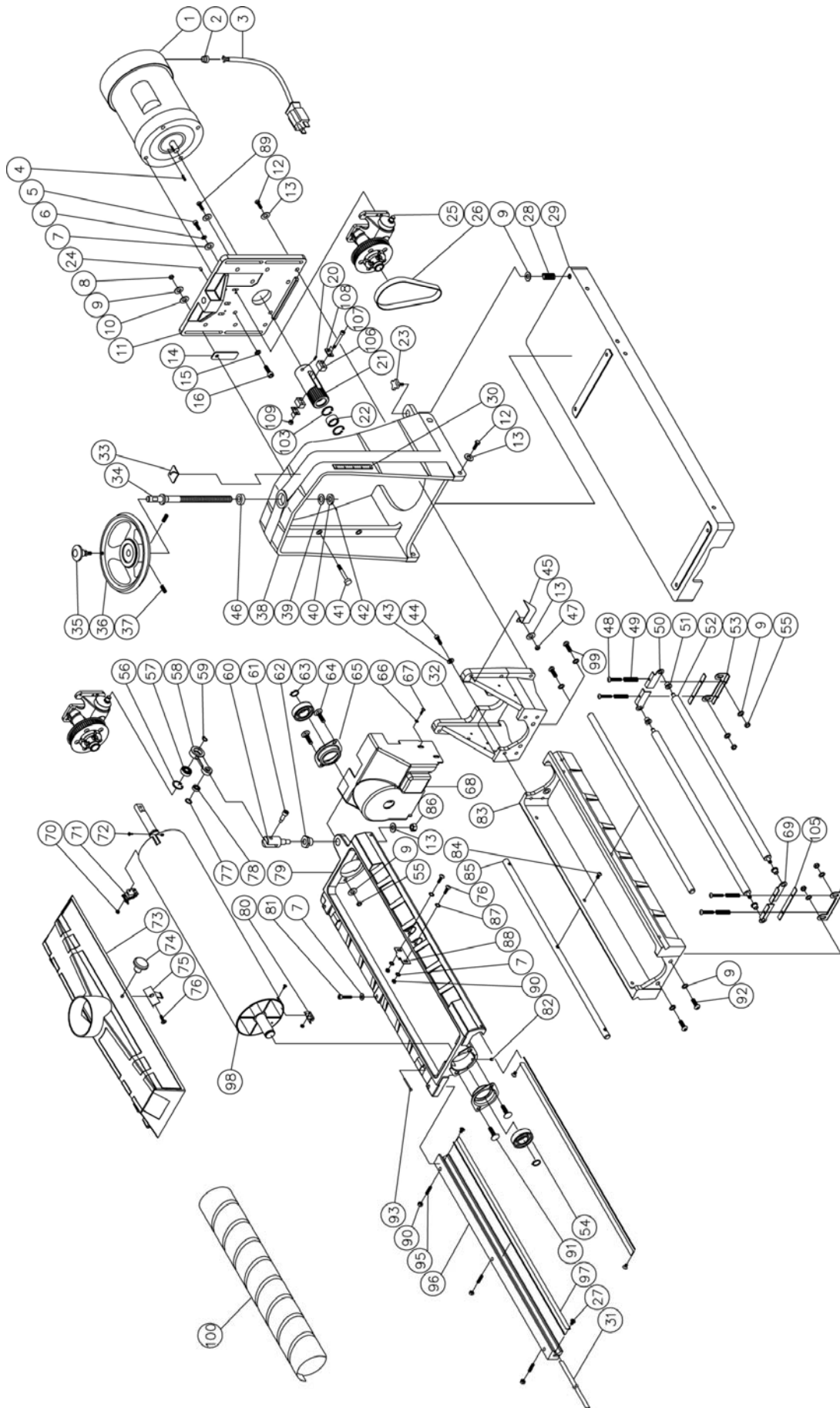


Drum Head Assembly – Exploded View



Drum Head Assembly – Parts List

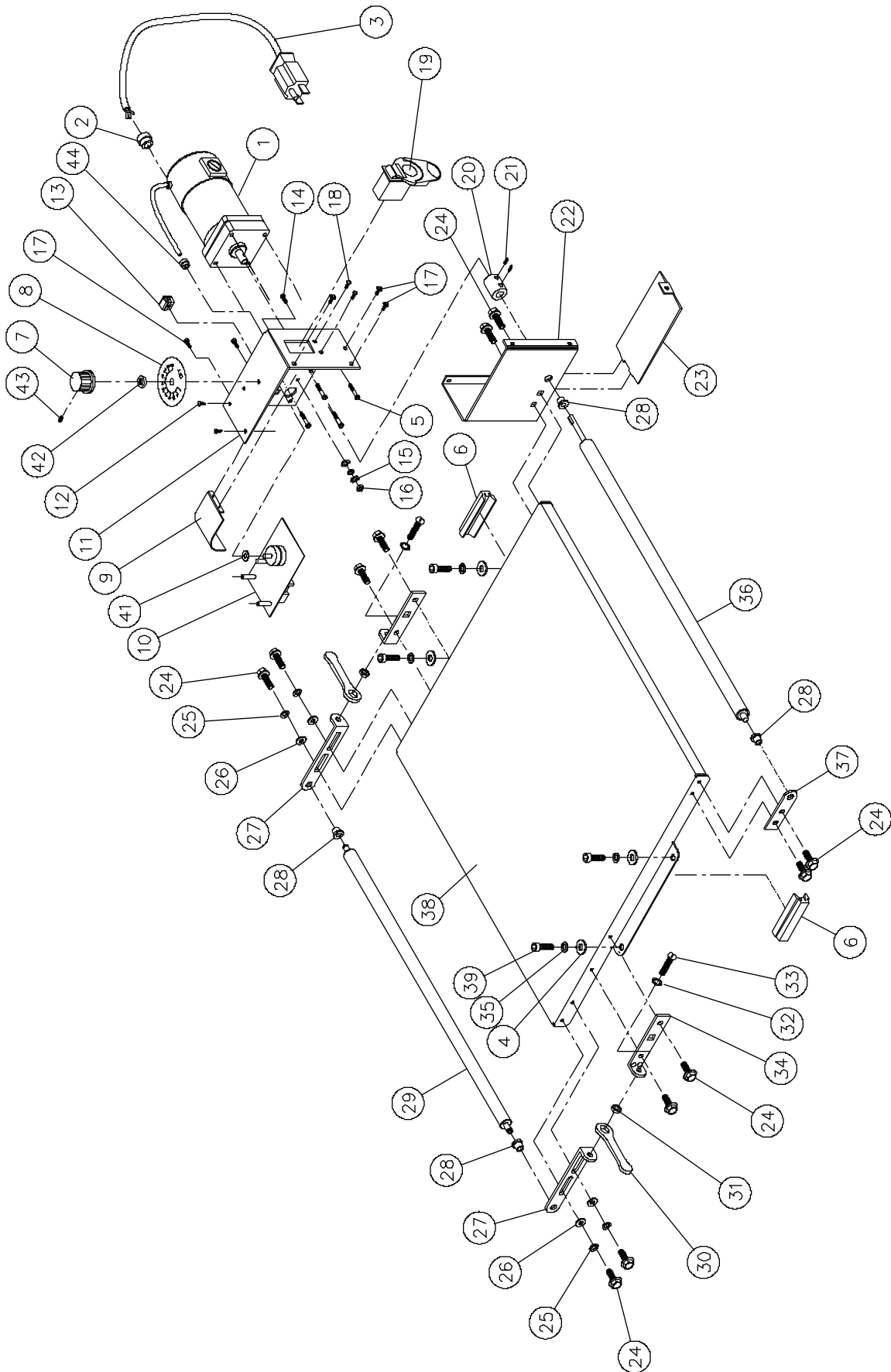
Index No.	Part No.	Description	Size	Qty
1	70-4102	Motor	1-3/4HP, 115V	1
	70-4102MF	Motor Fan (not shown)		1
	70-4102MFC	Motor Fan Cover (not shown)		1
	70-4102CS	Centrifugal Switch (not shown)		1
	70-4102SC	Starting Capacitor (not shown)	125VAC, 300MFD	1
	70-4102RC	Running Capacitor (not shown)	250VAC, 40 μ F	1
	70-4102SCC	Starting Capacitor Cover (not shown)		1
	70-4102RCC	Running Capacitor Cover (not shown)		1
	70-4102JB	Junction Box (not shown)		1
	70-4102JBC	Junction Box Cover (not shown)		1
2	72-6104	Strain Relief		1
3	72-5345	Cord, Motor to Control Box		1
4	20-0762-02	Key	3/16x3/16x3/4	1
5	TS-0207061	Socket Head Cap Screw	1/4-20x1	6
6	TS-0720071	Lock Washer	1/4	6
7	TS-0680021	Flat Washer	1/4	6
8	TS-0640082	Nylon Insert Lock Nut	5/16-24	4
9	TS-0680031	Flat Washer	5/16	4
10	50-3090-01	Oilite Washer		4
11	2244OSC-111	Motor Plate		1
12	TS-0060061	Hex Cap Screw	3/8-16x1-1/4	5
13	TS-0680041	Flat Washer	3/8	7
14	2244OSC-114	Oilite Plate		4
15	TS-0720091	Lock Washer	3/8	4
16	TS-0209061	Socket Head Cap Screw	3/8-16x1-1/4	4
20	TS-0270031	Set Screw	5/16-18x3/8	4
21	2244OSC-121B	Coupler (<i>serial # 11121604 and higher</i>)		1
22	2244OSC-122	Needle Bearing		1
23	80-3138	Fine Tune Adjustment Knob		1
24	2244OSC-124	Set Screw	#10-24x3/8	4
25	2244OSC-GBA	Gearbox Assembly		1
26	2244OSC-126	Timing Belt		1
27	TS-081F021	Flat Head Machine Screw	1/4-20x3/8	4
28	20-3216	Spring		1
29	2244OSC-129	Base		1
30	94-2270	Label, Depth Gauge	4"	1
31	2244OSC-131	Gib		1
32	2244OSC-132	Drum Carriage Head		1
33	94-1668	Height Direction Label		1
34	30-9027	Height Adjustment Screw		1
35	80-3131	Knob		1
36	30-9028	Height Adjustment Handwheel		1
37	TS-0270051	Set Screw	5/16-18x1/2	2
38	30-9023	Shroud		1
39	80-2324	Washer, Flat-Nylon	5/8" I.D.	1
40	20-1180-02	Collar, Locking Shaft		1
41	30-9026	Stud	5/16-24x1-3/4	4
42	TS-0270011	Set Screw	5/16-18x1/4	2
43	TS-0720081	Lock Washer	5/16	4
44	TS-0208061	Socket Head Cap Screw	5/16-18x1	4
45	40-3169	Depth Gauge Pointer		1
46	50-9000	Thrust Bearing	51103	1
47	TS-0561031	Hex Nut	3/8-16	1
48	10-4008-16	Screw, Fillister Head-Phillips	#8-32x1	4
49	20-3211	Spring, Tension Roller		4
50	2244OSC-150	Bracket, Right Tension Roller		2
51	50-3105	Bushing, Oilite	5/16" I.D.	4
52	2244OSC-152	Tension Roller		2
53	2244OSC-153	Bracket		2
54	BB-6205VV	Ball Bearing	6205VV	2
55	TS-0561021	Hex Nut	5/16-18	4

Drum Head Assembly

Index No.	Part No.	Description	Size	Qty
56	2244OSC-156	Retaining Ring		1
57	BB-6000ZZ	Ball Bearing	6000ZZ	1
58	2244OSC-158	Link		1
59	2244OSC-159	Retaining Ring		1
60	2244OSC-160	Bracket		1
61	2244OSC-161	Shoulder Screw		1
62	2244OSC-162	Thread Bushing		1
63	20-0778	Retaining Ring		2
64	TS-0152021	Carriage Bolt	5/16-18x1-1/4	2
65	2244OSC-165	Bearing Housing		2
66	TS-1550031	Flat Washer	M5	4
67	TS-1533032	Pan Head Machine Screw	M5x10	4
68	2244OSC-168	Gearbox Cover		1
69	2244OSC-169	Bracket, Left Tension Roller		2
70	12-9001	Nylon Insert Lock Nut	#6-32	2
71	21-1172	Fastener, Abrasive Inboard		1
72	10-3003	Screw, Flat Head-Phillips	#6-32x3/8	2
73	2244OSC-173	Dust Cover		1
74	80-3137	Knob		1
75	2244OSC-175	Dust Cover Latch		1
76	TS-081F052	Pan Head Machine Screw	1/4-20x3/4	3
77	2244OSC-177	Retaining Ring		1
78	2244OSC-178	Bearing	688ZZ	1
79	2244OSC-179	Upper Sliding Drum Carriage		1
80	21-1173	Fastener, Abrasive Outboard		1
81	TS-0254061	Button Head Socket Screw	1/4-20x1	3
82	TS-0267021	Set Screw	1/4-20x1/4	1
83	2244OSC-183	Lower Fixed Drum Carriage		1
84	TS-0254041	Button Head Socket Screw	1/4-20x3/4	6
85	2244OSC-185	Shaft		2
86	TS-0640091	Nylon Insert Lock Nut	3/8-16	1
87	TS-0732041	Internal Tooth Lock Washer	1/4	2
88	40-3166	Dust Cover Catch		1
89	TS-0060081	Hex Cap Screw	3/8-16x1-3/4	1
90	TS-0561011	Hex Nut	1/4-20	2
91	TS-0152041	Carriage Bolt	5/16-18x1-3/4	2
92	TS-0255061	Button Head Socket Screw	5/16-18x1	2
93	2244PLUS-254	Hinge Pin		2
95	TS-0267071	Set Screw	1/4-20x3/4	3
96	2244OSC-196	Holder		1
97	2244OSC-197	Gib		4
98	2244OSC-198B	Sanding Drum (serial # 11121604 and higher)		1
99	2244OSC-199	Button Head Socket Screw	5/16-18x1-1/4	2
100		Abrasive ¹	3-1/8 width	1
103	2244OSC-1103	Retaining Ring		2
105	80-1060	Bracket Pad, Tension Roller		1
106	2244OSC-1113	Glider		2
107	2244OSC-1114	Socket Head Cap Screw	M6	2
108	2244OSC-1115	Plate		2
109	2244OSC-1116	Nylon Insert Lock Nut	M6	2
	98-0060	TufTool (not shown)		1

¹ contact Walter Meier (Manufacturing) Inc., to find replacement abrasives

Conveyor and Motor Assembly – Exploded View

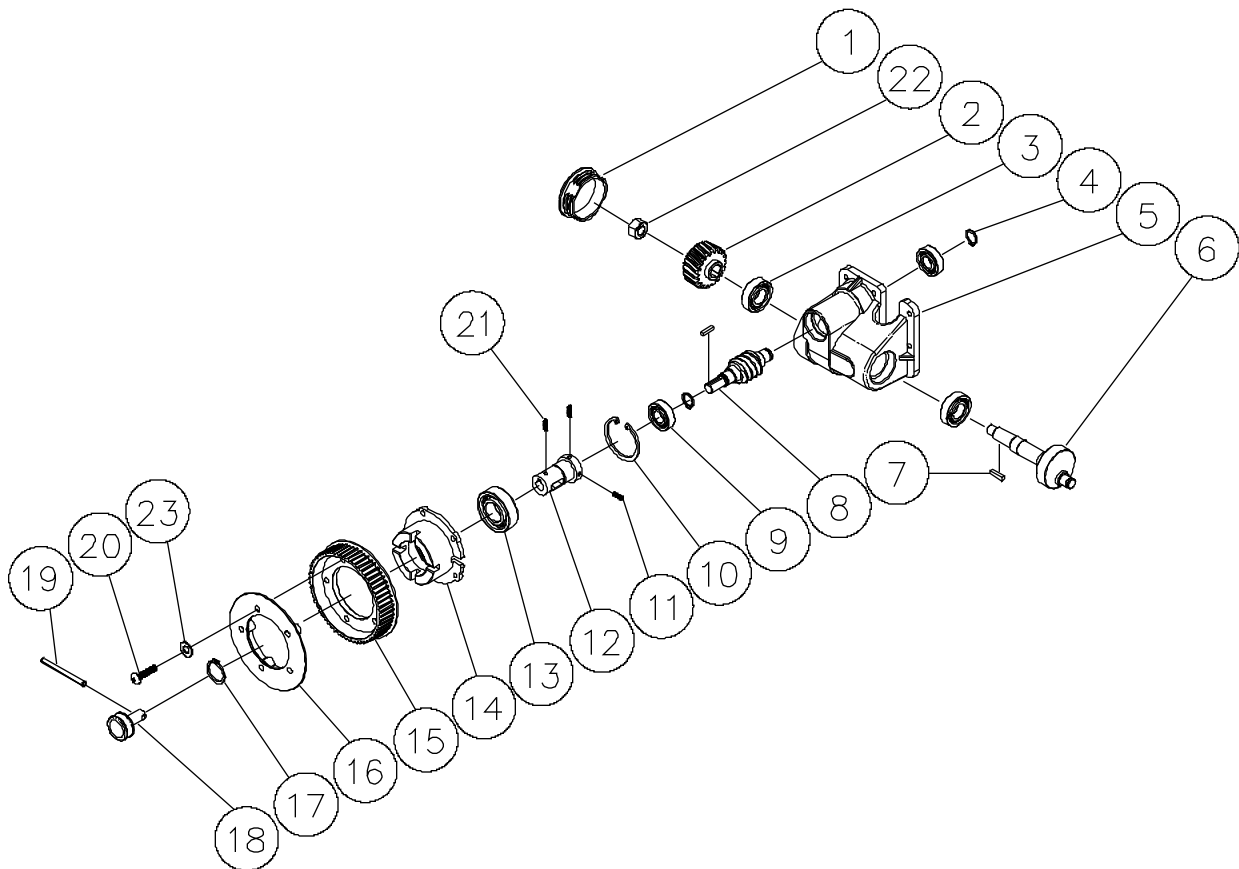


Conveyor and Motor Assembly – Parts List

Index No.	Part No.	Description	Size	Qty
1	323759	Gear Motor	90 Volt DC	1
2	72-6014	Strain Relief		1
3	72-5336	Cord Set	110-120V-75"	1
4	TS-0680031	Flat Washer	5/16	4
5	10-4010-08	Socket Head Cap Screw	#10-32x1/2	4
6	98-0080A	Tracker Kit		2
7	72-2250-01	Knob		1
8	72-2250-02	Speed Adjusting Label		1
9	40-4018	Wiring Guard		1
10	72-2250	SandSmart Controller		1
11	40-4904	Controller Housing Bracket		1
12	20-0777	Pan Head Self-Tapping Screw	5/32x1/2	2
13	72-2120	Receptacle, 110-120Volt		1
14	TS-081D032	Pan Head Machine Screw	#10-32x1/2	1
15	TS-073203	Internal Tooth Lock Washer	#10	2
16	TS-0560081	Hex Nut	#10-32	2
17	10-9002	Slotted Hex Head Screw	#10-32x1/2	5
18	10-3103	Phillips Pan Head Screw	#6-32x1/2	2
19	72-2004	ON/OFF Drum Switch		1
20	30-0122	Shaft Coupler		1
21	TS-0267021	Set Screw	1/4-20x1/4	2
22	40-4903	Controller Base Bracket		1
23	40-4022W	Control Housing Base Cover		1
24	10-4004-12	Hex Washer Head Bolt	1/4-20x3/4	12
25	20-1161-01	Wave Washer	1/4	4
26	TS-0680021	Flat Washer	1/4	4
27	40-0003	Take Up-Slide Bracket		2
28	50-3105	Oilite Bushing	5/16" I.D.	4
29	30-3010-10	Driven Roller		1
30	40-0260	Wrench		2
31	TS-0561011	Hex Nut	1/4-20	2
32	TS-0732041	Internal Tooth Lock Washer	1/4	2
33	10-4007-24	Slotted Round Head Screw	1/4-20x1-3/4	2
34	40-4004	Take-Up Bracket Base		2
35	TS-0720081	Lock Washer	5/16	4
36	30-3010-11	Drive Roller		1
37	40-0005	Drive Roller Support Bracket		1
38	40-4010-01	Conveyor Bed		1
39	TS-0208041	Socket Head Cap Screw	5/16-18x3/4	4
	60-0322-P	Conveyor Belt (not shown)		1
41	72-2250-03	Washer	5/16	1
42	72-2250-04	Hex Nut	5/16-24	1
43	72-2250-05	Slotted Set Screw	#8-36UNFx5/16	1
44	72-6101	Small Strain Relief		1

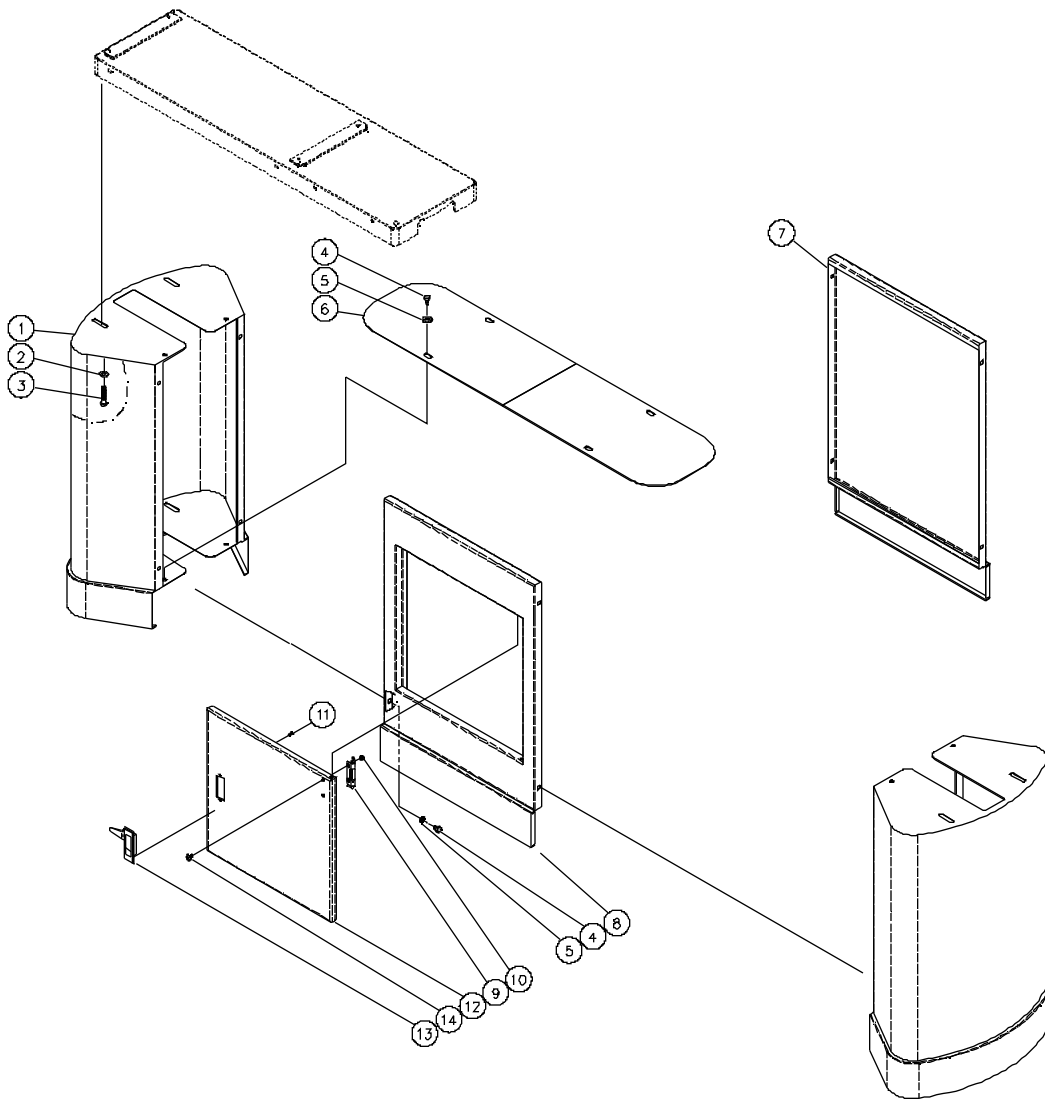
Gearbox Assembly

Index No.	Part No.	Description	Size	Qty
.....	2244OSC-GBA.....	Gearbox Assembly.....		1
1.....	2244OSC-201.....	Rubber Cover.....		1
2.....	2244OSC-202.....	Gear.....		1
3.....	BB-6002ZZ.....	Ball Bearing.....	6002ZZ.....	2
4.....	2244OSC-204.....	Retaining Ring.....		2
5.....	2244OSC-205.....	Gearbox.....		1
6.....	2244OSC-206.....	Eccentric Shaft.....		1
7.....	2244OSC-207.....	Key.....	4x4x18.....	2
8.....	2244OSC-208.....	Worm.....		1
9.....	BB-6001ZZ.....	Ball Bearing.....	6001ZZ.....	2
10.....	2244OSC-210.....	Retaining Ring.....		1
11.....	2244OSC-211.....	Set Screw.....	#10-24x1/4.....	2
12.....	2244OSC-212.....	Clutch Bushing.....		1
13.....	BB-6004ZZ.....	Ball Bearing.....	6004ZZ.....	1
14.....	2244OSC-214.....	Pulley Base.....		1
15.....	2244OSC-215.....	Pulley.....		1
16.....	2244OSC-216.....	Pulley Shield.....		1
17.....	2244OSC-217.....	Retaining Ring.....		1
18.....	2244OSC-218.....	Clutch Knob.....		1
19.....	2244OSC-219.....	Pin.....		1
20.....	2244OSC-220.....	Screw.....	#10-24x7/8.....	5
21.....	2244OSC-221.....	Set Screw w/Steel Ball.....	M4x9.....	1
22.....	TS-0640091.....	Nylon Insert Lock Nut.....	3/8-16.....	1
23.....	TS-0680011.....	Flat Washer.....	3/16.....	5



Closed Stand Assembly

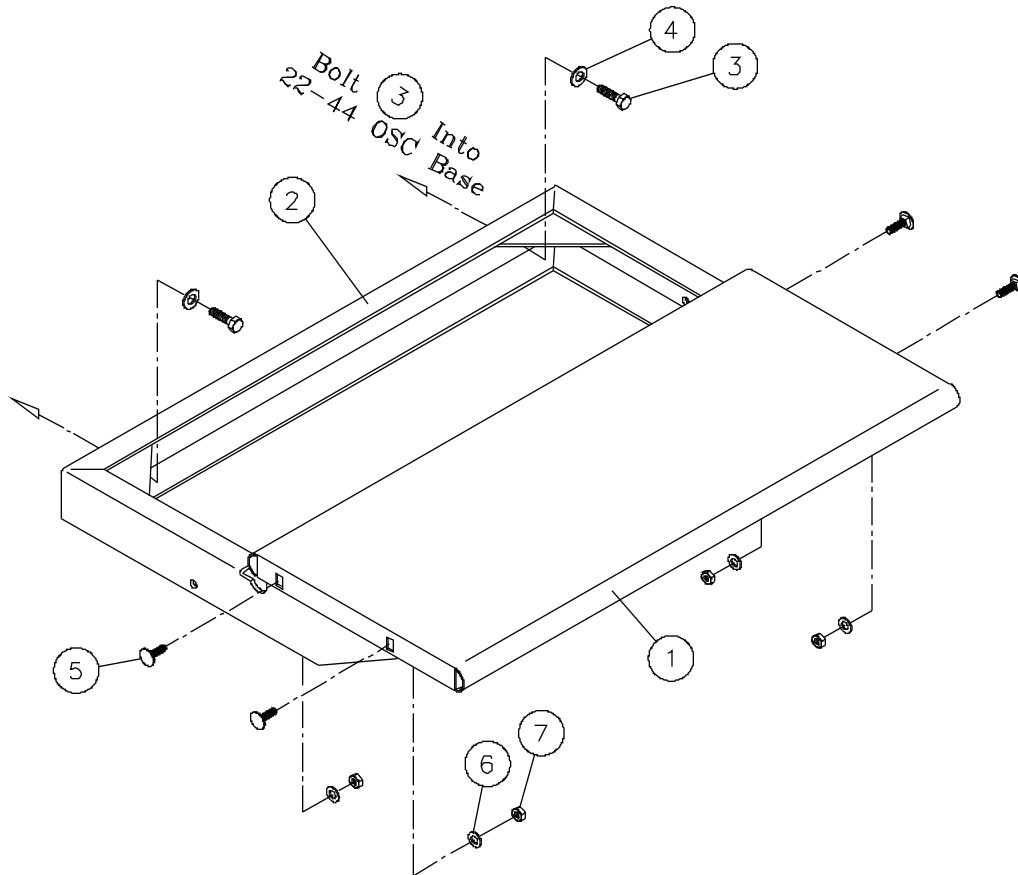
Index No.	Part No.	Description	Size	Qty
.....	659006S	Closed Stand Assembly
1.....	2244OSC-301	Stand Side	2
2.....	TS-0680041	Flat Washer	3/8	4
3.....	TS-0060051	Hex Cap Screw	3/8-16x1	4
4.....	TS-0051011	Hex Cap Screw	5/16-18x1/2	12
5.....	TS-0680031	Flat Washer	5/16	12
6.....	2244OSC-306	Bottom Plate	1
7.....	2244OSC-307	Rear Plate	1
8.....	2244OSC-308	Front Plate	1
9.....	80S-416	Door Hinge	1
10.....	TS-0561011	Hex Nut	1/4-20	2
11.....	80S-413	Screw	M3x4	2
12.....	2244OSC-312	Door	1
13.....	80S-414	Latch	1
14.....	TS-081F032	Pan Head Machine Screw	1/4-20x1/2	2



Infeed and Outfeed Tables

Optional Accessory – Stock No.: 98-2202

Index No.	Part No.	Description	Size	Qty
1	2244PLUS-501	Table		2
2	2244PLUS-502	Base Bracket		2
3	TS-0060051	Hex Cap Screw	3/8-16x1	4
4	TS-0680041	Flat Washer	3/8	4
5	TS-0151011	Carriage Bolt	1/4-20x3/4	8
6	TS-0680021	Flat Washer	1/4	8
7	TS-0561011	Hex Nut	1/4-20	8



Wiring Diagram

GEARMOTOR CONTROLLER SCHEMATIC
110V AC TO VARIABLE 90V DC

