



SERVICE PARTS LIST

NO-HUB SCREWDRIVER

Catalog No. **6584-1**

Starting Serial No. **497-2104**

Specify Catalog and Serial No. when ordering parts

BUL. 54-42-0251

REVISED BUL. 54-42-0250 DATE March '76

WIRING INSTRUCTIONS **58-01-0647**

0-1000 R.P.M.

FOR CAT. NO. 6584-3 (240V) TOOL USE:

- 22-64-4200 CORD SET
- 22-18-0375 CARBON BRUSH
- 18-16-0015 FIELD
- 16-16-0155 ARMATURE
- 23-66-0793 SWITCH

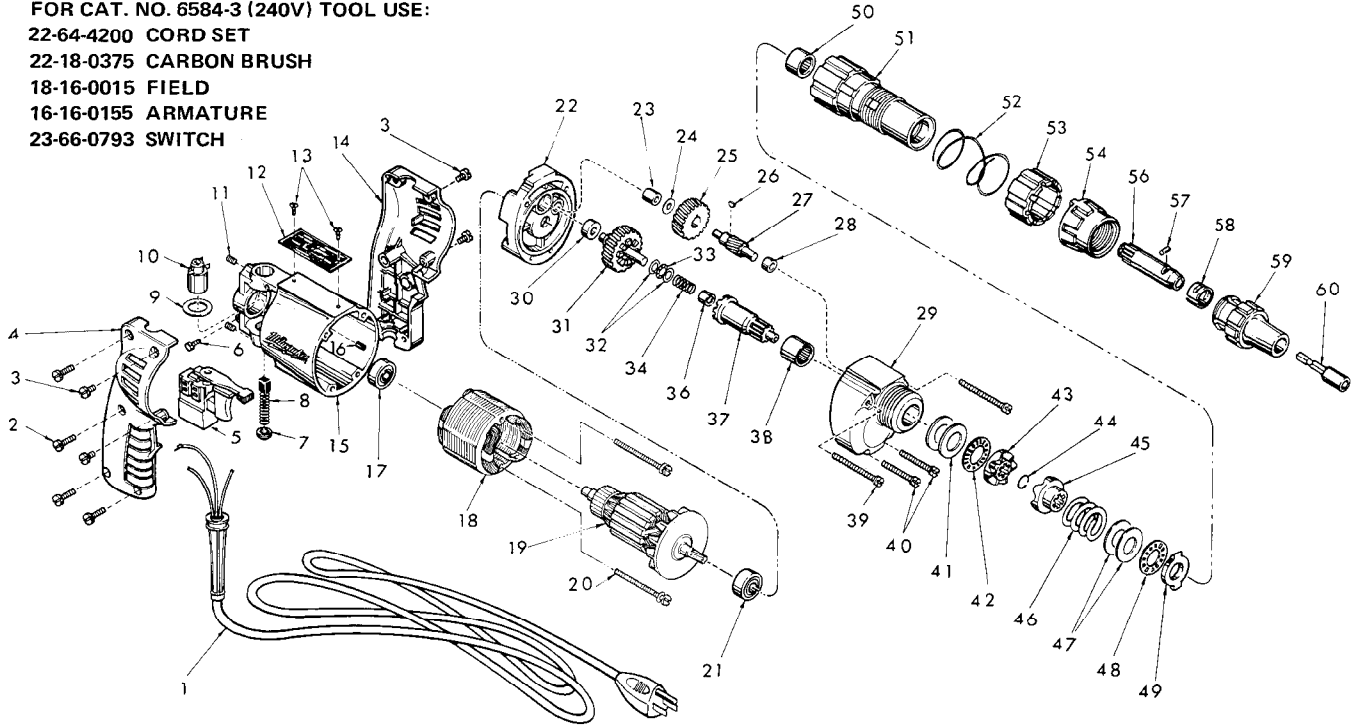


FIG.	PART NO.	DESCRIPTION OF PART	NO. REQ.	FIG.	PART NO.	DESCRIPTION OF PART	NO. REQ.
1	22-64-0665	Cord Set	(1)	33	02-80-0100	Thrust Bearing	(1)
2	06-81-0400	8-32x3/4 Pan Head Screw	(4)	34	40-50-6600	Separator Spring	(1)
3	06-81-0450	8-32x3/8 Pan Head Screw	(4)	35	36-14-0675	Clutch Shaft Assembly (Includes Fig. Nos. 36 & 37)	(1)
4	31-44-0280	R. H. Handle Half	(1)	36	02-50-1610	Needle Bearing	(1)
5	23-66-0792	Rev. Speed Control Switch	(1)	37	36-14-0660	Clutch Shaft	(1)
6	06-81-8625	6-32x1/4 Ground Screw	(1)	38	02-50-4035	Needle Bearing	(1)
7	23-44-0020	Brush Retaining Screw	(2)	39	06-81-6740	8-32x2 Fil. Hd. Sem	(2)
★ 8	22-18-0362	Carbon Brush	(2)	40	06-81-6550	8-32x1-1/2 Fil. Hd. Sem	(2)
9	23-86-0105	Washer	(2)	41	45-88-0510	Thrust Washer	(2)
10	22-22-0251	Brush Holder Assy.	(2)	42	02-80-1210	Thrust Bearing	(1)
11	06-83-2430	10-32x1/4 Hd s. Skt. Screw	(2)	★ 43	42-70-5015	Drive Chuck	(1)
12	12-99-0021	Nameplate	(1)	44	34-60-0840	Retaining Ring	(1)
13	06-85-0200	6x1/4 Round Hd. Type Z Screw	(2)	★ 45	42-70-5025	Driven Clutch	(1)
14	31-44-0290	L. H. Handle Half	(1)	46	40-50-1010	Compression Spring	(1)
15	28-50-6091	Motor Housing (Includes Fig. 16)	(1)	47	45-88-7150	Thrust Washer	(2)
16	45-30-0120	Ball Bearing Retaining Slug	(1)	48	02-80-6020	Thrust Bearing	(1)
17	02-04-0740	Ball Bearing	(1)	49	42-05-0010	Adjustment Ring	(1)
★ 18	18-10-0015	120 V. Field	(1)	50	02-50-3225	Needle Bearing	(1)
★ 19	16-10-0155	120 V. Armature	(1)	51	28-50-2000	Clutch Housing	(1)
★ 20	06-81-5950	6-32x1-7/8 Fil. Hd. Sems	(2)	52	40-50-0910	Spring	(1)
21	02-04-0880	Ball Bearing	(1)	53	31-58-0030	Locking Collar	(1)
22	28-28-1451	Diaphragm	(1)	54	42-05-0040	Adjusting Ring	(1)
23	02-50-1210	Needle Bearing	(1)	55	42-66-0675	Chuck Shaft Assembly (Includes Fig. Nos. 56 thru 58)	(1)
24	45-88-7280	Nylon Thrust Washer	(1)	56	42-66-0670	Chuck Shaft	(1)
25	32-40-1611	Intermediate Gear	(1)	57	02-55-0150	Loose Roller Bearing	(1)
26	06-42-0400	Woodruff Key	(1)	58	40-50-1450	Bit Retaining Spring	(1)
27	36-66-4095	Intermediate Pinion Shaft	(1)	59	48-32-0312	5/16 Bit Guide	(1)
28	02-50-1635	Needle Bearing	(1)	60	49-66-3015	5/16 Hex Socket Extension	(1)
29	28-14-1210	Gear Case (Includes 06-65-0825 Groove Pin)	(1)	61	12-98-7081	Caution Plate (Not Shown)	(1)
30	02-08-0210	Ball Bearing	(1)				
31	32-10-1000	Clutch Gear	(1)				
32	45-88-0550	Thrust Washer	(2)				