



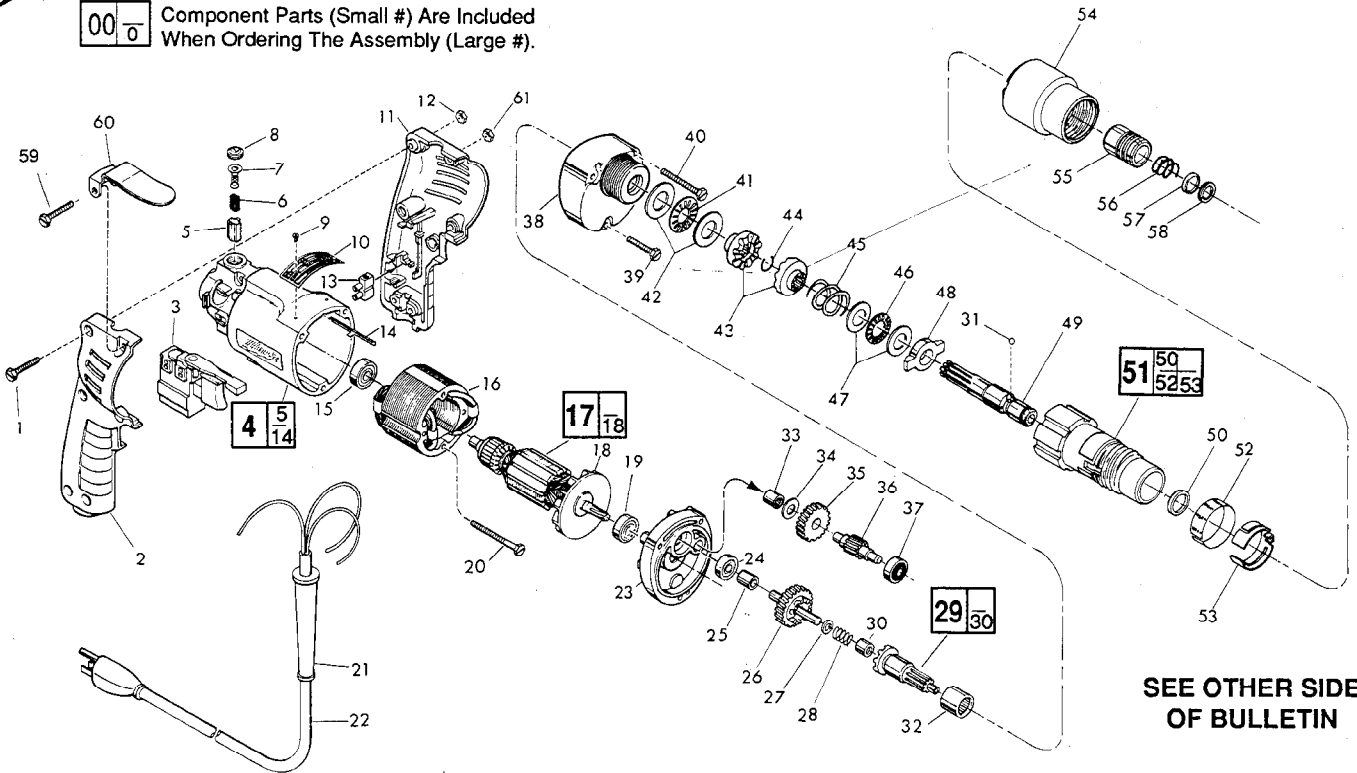
# SERVICE PARTS LIST

**BULLETIN NO.**  
**54-42-0404**

<b>SPECIFY CATALOG NO. AND SERIAL NO. WHEN ORDERING PARTS</b>		<b>REVISED BULLETIN</b>	<b>DATE</b>
<b>ADJUSTABLE TORQUE SCREWDRIVER</b>		54-42-0403	Mar. '88
<b>CATALOG NO.</b> 6583-1	<b>STARTING SERIAL NO.</b> 470-46500	<b>WIRING INSTRUCTION</b> <b>58-01-0015</b>	

**EXAMPLE:**

00 0 Component Parts (Small #) Are Included When Ordering The Assembly (Large #).



**SEE OTHER SIDE OF BULLETIN**

FIG.	PART NO.	DESCRIPTION OF PART	NO. REQ.
★ 1	06-82-2361	8-32x15/16" Slit. Plastite Torx Screw	(5)
★ 2	31-44-1130	Right Handle Half	(1)
★ 3	23-66-1245	Speed Control Switch	(1)
★ 4	31-50-0346	Motor Housing	(1)
★ 5	22-20-0530	Brush Tube	(2)
★ 6	22-16-0275	Carbon Brush	(2)
★ 7	23-52-0210	Brush Spring Assembly	(2)
★ 8	23-44-0120	Brush Retaining Screw	(2)
9	06-85-0200	Nameplate Screw	(2)
★ 10	12-99-0445	Nameplate Blank	(1)
★ 11	31-44-1140	Left Handle Half	(1)
★ 12	06-55-0835	8-32 Hex Nut	(5)
★ 13	22-56-0456	Terminal Block	(1)
★ 14	44-60-0530	Ground Pin	(1)
★ 15	02-04-0645	Ball Bearing	(1)
★ 16	18-10-0130	120 V. Field	(1)
★ 17	16-10-0545	120 V. Armature	(1)
★ 18	22-84-0440	Fan Assembly	(1)
★ 19	02-04-0848	Ball Bearing	(1)
★ 20	06-82-7393	7-18x2" Pan Hd. Slit. Plastite Torx Screw	(2)
★ 21	44-76-0130	Cord Protector	(1)
★ 22	22-64-1120	Cord Set	(1)
★ 23	28-28-1800	Diaphragm	(1)
★ 24	02-04-0645	Ball Bearing	(1)
★ 25	45-36-1280	Spacer	(1)
★ 26	32-10-4050	Clutch Gear Assembly	(1)
★ 27	45-88-0712	Thrust Washer	(1)
28	40-50-6600	Separator Spring	(1)
★ 29	14-73-0250	Clutch Shaft Assembly	(1)
★ 30	02-50-2400	Needle Bearing	(1)
★ 31	02-02-0130	Steel Ball	(1)
★ 32	02-50-4225	Needle Roller Bearing	(1)
★ 33	02-50-2410	Needle Bearing	(1)
★ 34	45-88-7990	Thrust Washer	(1)
★ 35	32-40-1613	Intermediate Gear	(1)
★ 36	36-66-4096	Intermediate Pinion Shaft	(1)
★ 37	02-04-0640	Ball Bearing	(1)

FIG.	PART NO.	DESCRIPTION OF PART	NO. REQ.
★ 38	14-30-0600	Gear Case Assembly	(1)
★ 39	06-82-7344	7-18x1-1/2" Pan Hd. Slit. Plast. Torx Screw	(1)
★ 40	06-82-7440	7-18x2-1/2" Pan Hd. Slit. Plast. Torx Screw	(2)
41	02-80-1210	Thrust Bearing	(1)
42	45-88-0510	Thrust Bearing Washer	(2)
★ 43	42-70-5016	Drive Clutch	(2)
44	34-60-0545	Retaining Ring	(1)
★ 45	40-50-8000	Clutch Spring	(1)
46	02-80-6020	Thrust Bearing	(1)
47	45-88-7150	Thrust Bearing Washer	(2)
★ 48	44-90-4280	Adjustment Ring	(1)
★ 49	42-66-0676	Chuck Shaft	(1)
★ 50	45-06-0106	Oil Seal	(1)
★ 51	14-08-0190	Clutch Housing Assembly	(1)
★ 52	10-79-3100	Torque Setting Label	(1)
★ 53	42-16-0140	Adjustment Band	(1)
★ 54	42-76-0460	Adjustment Collar	(1)
★ 55	42-76-0390	Locking Collar	(1)
★ 56	40-50-8005	Compression Spring	(1)
★ 57	45-36-1300	Spacer	(1)
★ 58	34-60-2390	Retaining Ring	(1)
★ 59	06-82-2363	8-32x1" Pan Hd. Slotted Torx Screw	(1)
★ 60	42-70-0280	Belt Clip	(1)
★ 61	06-55-0825	8-32 Hex Nut	(1)
★	48-30-2600	Bit and Finder 1/4" Hex	(1)
★	48-30-2650	Bit and Finder 1/4" Hex	(1)
★	48-32-1050	Insert Bit 1/4" Hex	(1)
★	48-32-3050	Bit Holder 1/4" Hex	(1)

**FIG. LUBRICATION**

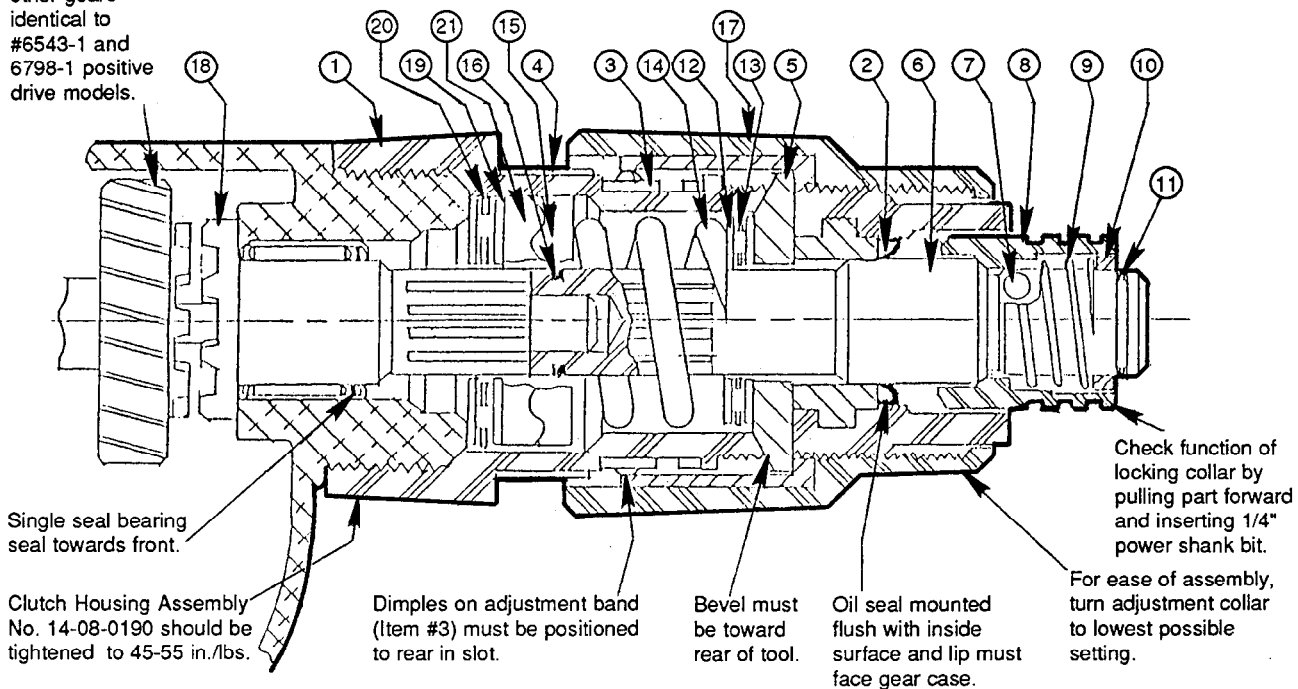
- 38 1-1/2 Oz. Type "E" Grease, No. 49-08-4121.
- 43 1/16 Oz. Type "F" Grease, No. 49-08-4130 On Clutch Faces.
- 41,46,50 Apply Small Amount of Type "F" Grease, No. 49-08-4130.
- 48 Apply Small Amount of Type "F" Grease, No. 49-08-4130 On Tabs.

**MILWAUKEE ELECTRIC TOOL CORPORATION**  
13135 W. LISBON RD., BROOKFIELD, WI 53005



**PARTS LIST IN ORDER OF ASSEMBLY  
ADJUSTABLE TORQUE SCREWDRIVER  
CAT. NO. 6583-1 AND 6783-1**

Clutch gear and other gears identical to #6543-1 and 6798-1 positive drive models.



**LUBRICATION**

Apply 1/16 oz. Type "F" Grease on clutch faces of drive clutch (#15 & #21). Apply small amount of Type "F" Grease on trust bearings (#13 & #20, oil seal lip #2 and tabs of adjustment ring #5).

Drive clutches must slide back and forth freely on shaft splines. Defective splines that stick will not function properly.

	ITEM NO.	PART NO.	DESCRIPTION	
Clutch Housing Assembly No. 14-08-0190	1	43-76-0550	Clutch Housing ( Includes Bushing No. 42-40-0920 )	Clutch Sub-Assembly
	2	45-06-0106	Oil Seal	
	3	42-16-0140	Adjustment Band	
	4	10-79-3100	Torque Setting Label	
	5	44-90-4280	Adjustment Ring	
Sub-Assembly	6	42-66-0676	Chuck Shaft	
	7	02-02-0130	Steel Ball	
	8	42-76-0390	Locking Collar	
	9	40-50-8005	Spring	
	10	45-36-1300	Spacer	
	11	34-60-2390	Retaining Ring	
	12	45-88-7150	Thrust Washers (2 each) ( Place on each side of Item # 13 )	
	13	02-80-6020	Thrust Bearing	
	14	40-50-8000	Clutch Spring	
	15	42-70-5016	Drive Clutch	
	16	34-60-0545	Retaining Ring	
	17	42-76-0460	Adjustment Collar ( Includes Insert No. 43-84-0740 )	Not In Order Of Assembly
	18	14-73-0250	Clutch Shaft Assembly ( Includes Clutch Shaft No. 36-14-0661 and Needle Bearing No. 02-50-2400 )	
	19	45-88-0510	Thrust Bearing Washers ( 2 each ) ( Place on each side of Item # 20 )	
	20	02-80-1210	Thrust Bearing	
	21	42-70-5016	Drive Clutch	