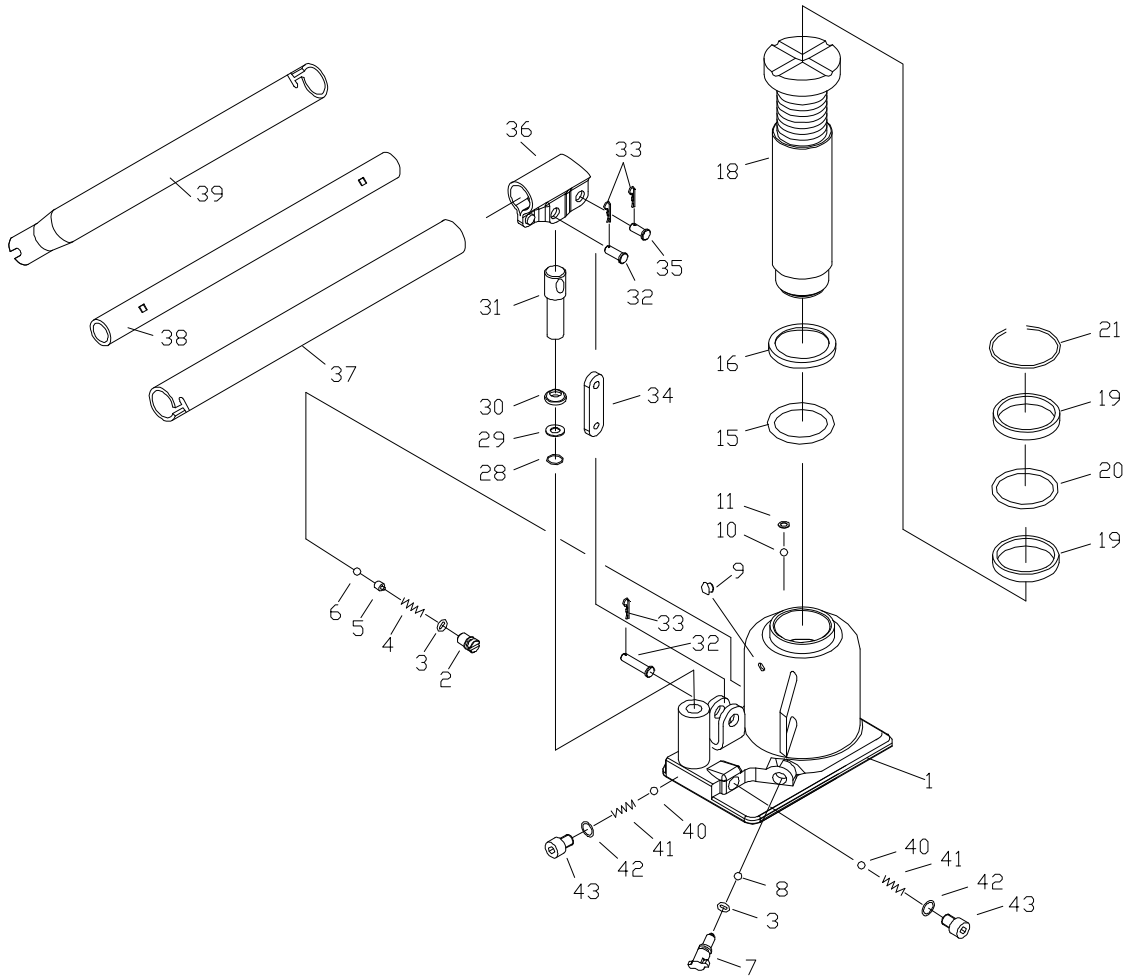




22 Ton Low Profile Bottle Jack

Model Stock No
JBJ-22TL 655557



See reverse side for parts list

WALTER MEIER (Manufacturing) Inc.
427 New Sanford Road
LaVergne, Tennessee 37086
Ph.: 800-274-6848
www.waltermeier.com

Part No. M-65557
Revision B 11/2010
Copyright © 2010 Walter Meier (Manufacturing) Inc.

Parts List for 22 Ton Low Profile Bottle Jack

Index No.	Part No.	Description	Size	Qty
1	JBJ22L-1	Body		1
2	JBJ12-2	Safety Valve Screw		1
3	JBJ12-3	O-Ring*	7.1 X 2.65 mm	2
4	JBJ12-4	Safety Valve Spring		1
5	JBJ12-5	Ball Seat		1
6	SB-4MM	Steel Ball	4 mm	1
7	JBJ12-7	Release Rod		1
8	SB -6MM	Steel Ball	6 mm	1
9	JBJ12-9	Oil Fill Plug*		1
10	SB -5MM	Steel Ball	5 mm	2
11	JBJ22-2	Washer		1
15	JBJ22-6	O-Ring*	45 x 5.3 mm	1
16	JBJ22-7	Sealing Washer*		1
18	JBJ22L-2	Ram		1
19	JBJ22-10	Bushing		2
20	JBJ22-11	O-Ring*	51.5 x 4.6 mm	1
21	JBJ22-12	Snap Ring		1
28	JBJ12-26	O-Ring*	6.6 x 3 mm	1
29	JBJ12-27	Nylon Gasket*		1
30	JBJ12-28	Dustproof Ring*		1
31	JBJ22-15	Pump Plunger		1
32	JBJ22-16	Pin		1
33	JBJ12-31	Pin		3
34	JBJ22-17	Rod Joint		1
35	JBJ22-18	Pin		1
36	JBJ22-19	Handle Socket		1
37	JBJ22-20	Rear Handle		1
38	JBJ22-21	Middle Handle		1
39	JBJ22-22	Front Handle		1
40	SB-6MM	Steel Ball	6 mm	2
41	JBJ5-3	Spring		2
42	JBJ5-4	Copper Washer*		2
43	JBJ5-5	Screw	M6 x 10	2
	JBJ22-RK	Repair Kit (not shown)		

Items marked with an asterisk (*) are included in the Repair Kit

Ordering Replacement Parts

To order parts or reach our service department, call 800-274-6848 Monday through Friday (see our website for business hours, www.waltermeier.com). Having the Model Number and Serial Number of your tool available when you call will allow us to serve you quickly and accurately.