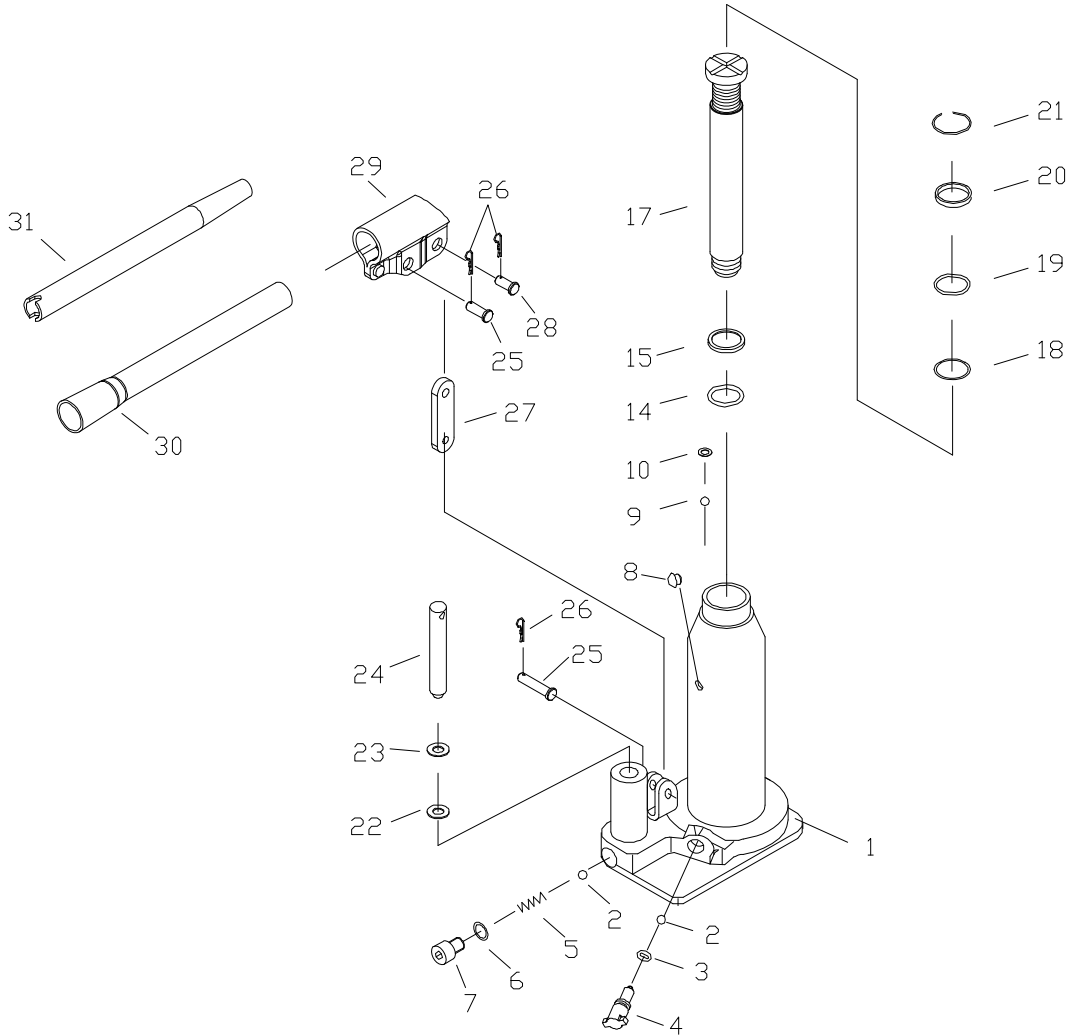




2 Ton Bottle Jack

Model Stock No
JBJ-2 655550



See reverse for parts list

WALTER MEIER (Manufacturing), Inc.

427 New Sanford Road
LaVergne, TN 37086
Ph.: 800-274-6848
www.waltermeier.com

Part No. M-655550
Revision C 11/2010

Copyright © 2010 Walter Meier (Manufacturing) Inc.

Parts List for 2-Ton Bottle Jack

Index No.	Part No.	Description	Size	Qty.
1	JBJ2-1	Body		1
2	SB-6MM	Steel ball	6 mm	2
3	JB12-3	O-ring*	7.1 x 2.65 mm	1
4	JB5-2	Release rod		1
5	JB5-3	Spring		1
6	JB5-4	Copper washer*		1
7	JB5-5	Screw	M6 x 10	1
8	JB12-9	Oil filler plug*	6 mm	1
9	SB-5MM	Steel ball	5 mm	1
10	JB2-2	Washer		1
14	JB2-6	O-ring*	12.7 x 4.3 mm	1
15	JB2-7	Sealing washer*		1
17	JB2-9	Ram		1
18	JB2-10	Washer		1
19	JB2-11	O-ring*	19.4 x 2.5 mm	1
20	JB2-12	Bushing		1
21	JB2-13	Snap ring		1
22	JB5-18	O-ring*	9.4 x 2.4 mm	1
23	JB5-19	Nylon gasket*		1
24	JB5-20	Pump cylinder		1
25	JB5-21	Pin		2
26	JB12-31	Pin		3
27	JB5-22	Joining plate		1
28	JB5-23	Pin		1
29	JB3-15	Handle socket		1
30	JB2-14	Rear handle		1
31	JB2-15	Front handle		1
	JB2-RPK	Repair kit		

Items marked with an asterisk (*) are included in the Repair Kit.

Ordering Replacement Parts

To order parts or reach our service department, call 800-274-6848 Monday through Friday (see our website for business hours, www.waltermeier.com). Having the Model Number and Serial Number of your tool available when you call will allow us to serve you quickly and accurately.