



SERVICE PARTS LIST

POSITIVE DRIVE REVERSING SCREWDRIVER

Catalog No. **6543-1**

Starting Serial No. **469-5977**

Specify Catalog and Serial No. when ordering parts

BUL. 54-42-0302

REVISED BUL.
54-42-0301

DATE
Sept. '78

WIRING INSTRUCTIONS
58-01-0647

0-1000 R.P.M.

4.5 AMPS

FOR CAT. NO. 6543-3 (240V) TOOL USE:

- 22-64-4200 CORD SET
- 22-18-0375 CARBON BRUSH
- 18-16-0015 FIELD
- 16-16-0400 ARMATURE
- 23-66-0793 SWITCH

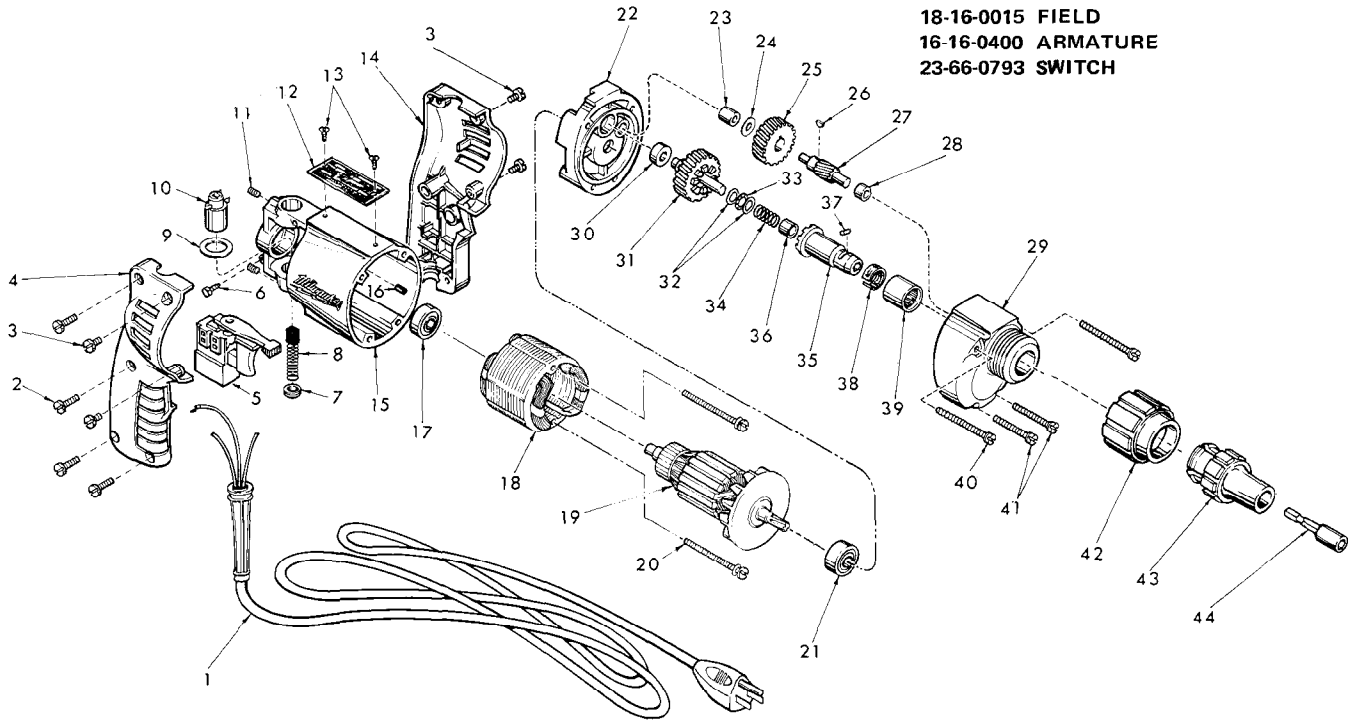


FIG.	PART NO.	DESCRIPTION OF PART	NO. REQ.	FIG.	PART NO.	DESCRIPTION OF PART	NO. REQ.
	1	Cord Set	(1)	24	45-88-7280	Nylon Thrust Washer	(1)
	2	8-32x3/4 Pan Head Screw	(4)	25	32-40-1611	Intermediate Gear	(1)
	3	8-32x3/8 Pan Head Screw	(4)	26	06-42-0400	Woodruff Key	(1)
★	4	R. H. Handle Half	(1)	27	36-66-4095	Intermediate Pinion Shaft	(1)
	5	Rev. Speed Control Switch	(1)	28	02-50-1635	Needle Bearing	(1)
	6	6-32x1/4 Ground Screw	(1)	29	28-14-1210	Gear Case (Includes 06-65-0825 Groove Pin)	(1)
	7	Brush Retaining Screw	(2)	30	02-08-0210	Ball Bearing	(1)
★	8	Carbon Brush	(2)	31	32-10-1000	Clutch Gear	(1)
	9	Washer	(2)	32	45-88-0550	Thrust Washer	(2)
★	10	Brush Holder Assy.	(2)	33	02-80-0100	Thrust Bearing	(1)
	11	10x32x1/4 Hds. Skt. Screw	(2)	34	40-50-6600	Separator Spring	(1)
	12	Nameplate	(1)	35	42-66-0751	Drive Chuck (Includes Figs. 36 thru 38)	(1)
	13	6x1/4 Round Hd. Type Z Screw	(2)	36	02-50-1610	Needle Bearing	(1)
★	14	L. H. Handle Half	(1)	37	02-55-0150	Loose Roller Bearing	(1)
	15	Motor Housing (Includes Fig. 16)	(1)	38	40-50-1450	Bit Retaining Spring	(1)
	16	Ball Bearing Retaining Slug	(1)	39	02-50-4050	Needle Bearing	(1)
	17	Ball Bearing	(1)	40	06-81-6740	8-32x2 Fil. Hd. Sem	(2)
★	18	120 V. Field	(1)	41	06-81-6550	8-32x1-1/2 Fil. Hd. Sem	(2)
★	19	120 V. Armature	(1)	42	48-32-1000	Bit Guide Housing	(1)
★	20	6-32x1-7/8 Fil. Hd Sems	(2)	43	48-32-0250	1/4 Bit Guide	(1)
	21	Ball Bearing	(1)	44	48-32-3050	1/4 Hex Bit Holder	(1)
	22	Diaphragm	(1)	45	12-98-7081	Caution Plate (Not Shown)	(1)
	23	Needle Bearing	(1)				