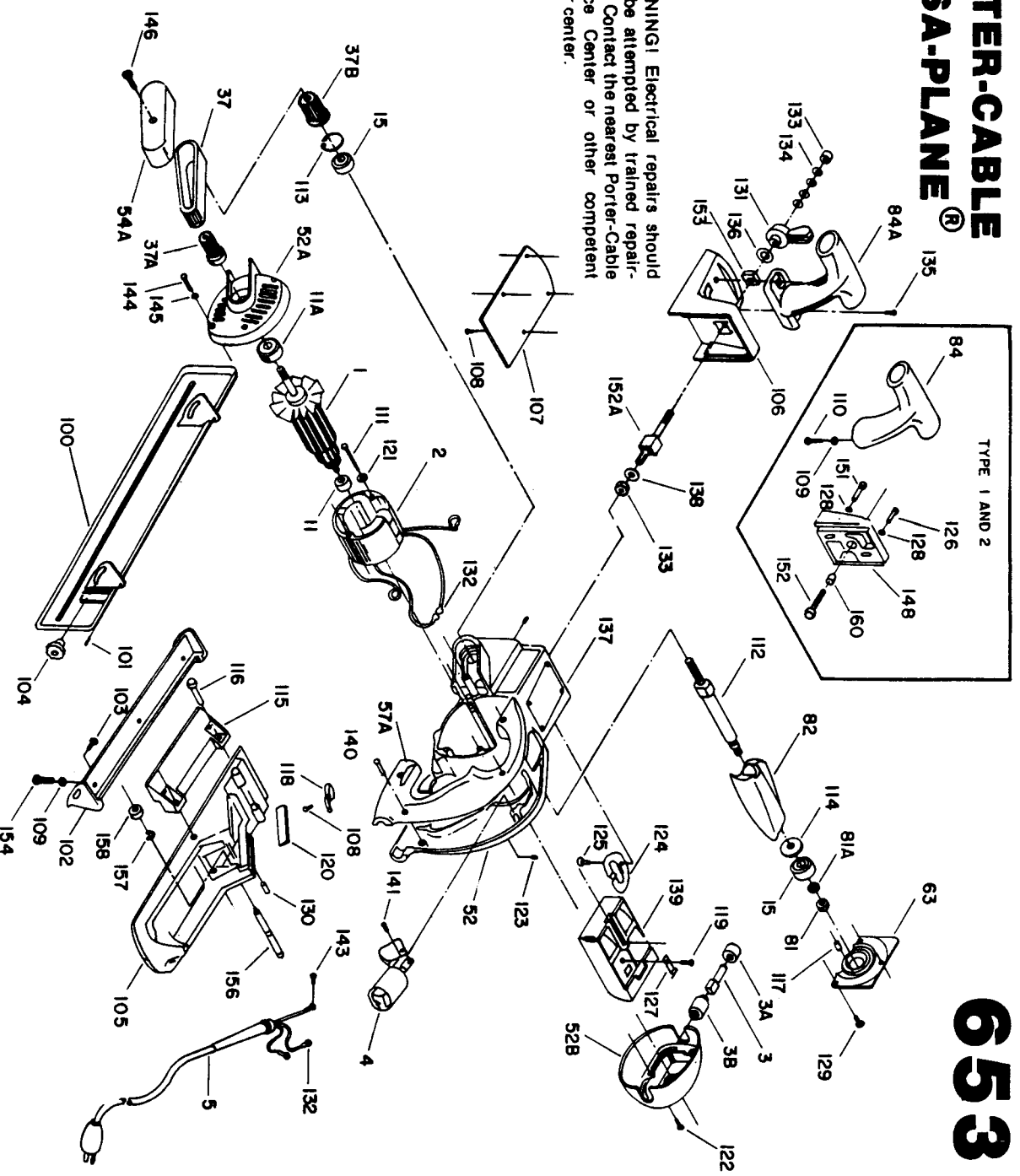


# PORTER-CABLE VERSA-PLANE®

# 653

**WARNING!** Electrical repairs should only be attempted by trained repairmen. Contact the nearest Porter-Cable Service Center or other competent repair center.



## Parts List for 653 Type 2

| Item Number | Part Number | Description         | Qty Required |
|-------------|-------------|---------------------|--------------|
| 1           | 860999      | ARMATURE 115V       | 1            |
| 1           | 000000-00   | No Longer Available | 1            |
| 1           | 000000-00   | No Longer Available | 1            |
| 2           | 861000      | FIELD 115V          | 1            |
| 2           | 000000-00   | No Longer Available | 1            |
| 2           | 803104      | LEAD                | 1            |
| 3           | 869662      | BRUSH & SPRING      | 2            |
| 3           | 803483      | BRUSH CAP           | 2            |
| 3           | 847336      | HOLDER              | 1            |
| 4           | 843156      | SWITCH              | 1            |
| 5           | 000000-00   | No Longer Available | 1            |
| 5           | 875863      | CORD                | 1            |
| 5           | 875863      | CORD                | 1            |
| 11          | 855284      | BEARING             | 3            |
| 11          | 804218      | BEARING             | 3            |
| 15          | 803876      | BEARING             | 3            |
| 37          | 848023      | BELT                | 1            |
| 37          | 810279      | PULLEY              | 1            |
| 37          | 810278      | PULLEY              | 1            |
| 52          | 000000-00   | No Longer Available | 1            |
| 52          | 000000-00   | No Longer Available | 1            |
| 52          | 000000-00   | No Longer Available | 1            |
| 54          | 848076      | COVER               | 1            |
| 57          | 000000-00   | No Longer Available | 1            |
| 63          | 000000-00   | No Longer Available | 1            |
| 81          | 801372      | NUT                 | 10           |
| 81          | 861720      | WASHER              | 10           |

## Parts List for 653 Type 2

| Item Number | Part Number | Description         | Qty Required |
|-------------|-------------|---------------------|--------------|
| 82          | 43288       | PLANE CUTTER 653 HS | 1            |
| 84          | 000000-00   | No Longer Available | 1            |
| 85          | 848517      | FENCE               | 1            |
| 100         | 848036      | FENCE               | 1            |
| 101         | 840109      | PIN                 | 10           |
| 102         | 000000-00   | No Longer Available | 1            |
| 103         | 802678      | BOLT                | 10           |
| 104         | 000000-00   | No Longer Available | 1            |
| 105         | 000000-00   | No Longer Available | 1            |
| 105         | 000000-00   | No Longer Available | 1            |
| 105         | 852422      | PLATE               | 1            |
| 105         | 852423      | PLATE               | 1            |
| 105         | 692895      | TAPE-FORM           | 1            |
| 105         | 000000-00   | No Longer Available | 1            |
| 106         | 848068      | SHOE                | 1            |
| 107         | 848015      | PLATE               | 1            |
| 109         | 822133      | LOCK WASHER         | 10           |
| 110         | 838733      | SCREW               | 10           |
| 111         | 000000-00   | No Longer Available | 1            |
| 112         | 848019      | SHAFT               | 1            |
| 113         | 802942      | RING                | 10           |
| 114         | 848788      | SPACER              | 10           |
| 115         | 848020      | BRKT                | 1            |
| 116         | 803403      | SCREW               | 10           |
| 117         | 842597      | PLUG                | 1            |
| 121         | 802430      | LOCKWASHER          | 10           |
| 122         | 848148      | SCREW               | 10           |

## Parts List for 653 Type 2

| Item Number | Part Number | Description         | Qty Required |
|-------------|-------------|---------------------|--------------|
| 123         | 804360      | SCREW               | 10           |
| 124         | 000000-00   | No Longer Available | 1            |
| 125         | 000000-00   | No Longer Available | 1            |
| 126         | 852428      | SCREW               | 10           |
| 128         | 000000-00   | No Longer Available | 1            |
| 129         | 883485      | SCREW               | 10           |
| 131         | 000000-00   | No Longer Available | 1            |
| 132         | 860190      | TERMINAL            | 1            |
| 133         | 802315      | NUT                 | 10           |
| 134         | 846872      | WASHER              | 10           |
| 136         | 802223      | WASHER              | 10           |
| 137         | 801374      | SCREW               | 10           |
| 139         | 000000-00   | No Longer Available | 1            |
| 140         | 878813      | SCREW               | 10           |
| 141         | 860715      | SCREW               | 10           |
| 143         | 844107      | SCREW               | 10           |
| 144         | 841644      | SCREW               | 10           |
| 145         | 802648      | WASHER              | 10           |
| 146         | 865643      | SCREW               | 10           |
| 148         | 000000-00   | No Longer Available | 1            |
| 151         | 000000-00   | No Longer Available | 1            |
| 152         | 000000-00   | No Longer Available | 1            |
| 153         | 800886      | BLOCK               | 1            |
| 154         | 000000-00   | No Longer Available | 10           |
| 160         | 000000-00   | No Longer Available | 10           |
| 161         | 692900      | WRENCH              | 1            |
| 861         | 000000-00   | No Longer Available | 1            |