



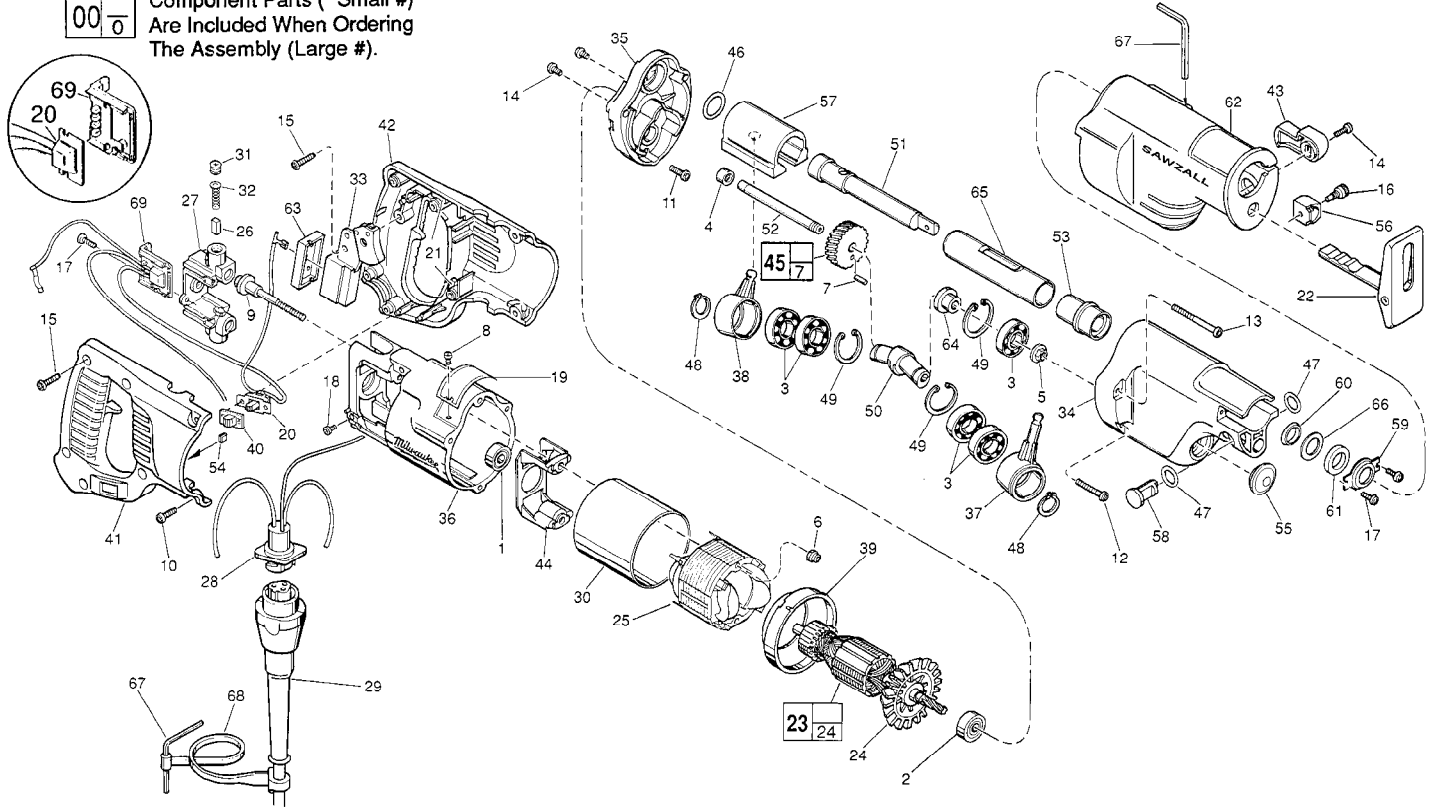
SERVICE PARTS LIST

BULLETIN NO.
54-40-5001

| | | | |
|--|-----------|--------------------|---------|
| SPECIFY CATALOG NO. AND SERIAL NO. WHEN ORDERING PARTS | | REVISED BULLETIN | DATE |
| SUPER SAWZALL® | | 54-40-5000 | Apr.'92 |
| CATALOG NO. 6527 | | WIRING INSTRUCTION | |
| STARTING SERIAL NUMBER | 774-67631 | 58-01-0255 | |

EXAMPLE:

Component Parts (Small #)
Are Included When Ordering
The Assembly (Large #).



| FIG. | PART NO. | DESCRIPTION OF PART | NO. REQ. |
|------|------------|--|----------|
| 1 | 02-04-0845 | Ball Bearing | (1) |
| 2 | 02-04-0911 | Ball Bearing | (1) |
| 3 | 02-04-1510 | Ball Bearing | (5) |
| 4 | 02-50-2150 | Needle Bearing | (1) |
| 5 | 06-55-3790 | Spinlock Hex Nut 5/16-24 | (1) |
| 6 | 06-57-2975 | 8-32 Flexlock Hex Nut | (2) |
| 7 | | 3/16 x 1/2" Drivlok Pin | (1) |
| 8 | 06-85-0200 | Nameplate Screw | (2) |
| ★ 9 | 06-81-1060 | 8-32 x 2-1/4" Field Bolt | (2) |
| 10 | 06-82-5316 | 8-32 x 1/2" Pan Hd. Slit. Tapt. T-20 | (4) |
| 11 | 06-82-5320 | 8-32 x 5/8" Pan Hd. Slit. Tapt. T-20 | (1) |
| 12 | 06-82-5390 | 8-32 x 1-1/4" Pan Hd. Slit. Tapt. T-20 | (2) |
| 13 | 06-82-5502 | 8-32 x 2-1/4" Pan Hd. Slit. Tapt. T-20 | (2) |
| 14 | 06-82-7252 | 8-32 x 3/8" Pan Hd. Slit. Tapt. T-20 | (3) |
| 15 | 06-82-7270 | 8-16 x 5/8" Pan Hd. Slit. Plas. T-20 | (6) |
| 16 | 06-83-2960 | Blade Clamp Screw | (1) |
| 17 | 06-95-0075 | 6-32 x 3/8" Truss Hd. Taptite | (4) |
| 18 | 06-95-5150 | 6-32 x 1/4" Hex Hd. Taptite Sems | (1) |
| 19 | 12-99-0520 | Nameplate Blank | (1) |
| ★ 20 | 14-20-0276 | Switch Module Assembly | (1) |
| 21 | 14-46-1001 | Foam Slug Kit - 10 Slugs | (2) |
| 22 | 14-74-0250 | Shoe Assembly | (1) |
| 23 | 16-30-0526 | 120 V. Armature | (1) |
| 24 | 22-84-0531 | Fan Assembly | (1) |
| ★ 25 | 18-31-0500 | 120 V. Field | (1) |
| 26 | 22-16-0275 | Carbon Brush | (2) |
| ★ 27 | 22-22-1380 | Brush Holder Assembly | (1) |
| ★ 28 | 22-56-0543 | Pin Housing Assembly | (1) |
| 29 | 48-76-4008 | 8' Quik-Lok Cord | (1) |
| 30 | 23-16-0456 | Field Insulator | (1) |
| 31 | 23-44-0190 | Brush Retaining Cap | (2) |
| 32 | 23-52-0160 | Brush Spring | (2) |
| 33 | 23-66-1490 | Switch | (1) |
| 34 | 28-14-2176 | Gear Case | (1) |
| 35 | 28-28-1871 | Diaphragm | (1) |
| ★ 36 | 28-50-6211 | Motor Housing | (1) |
| ★ 37 | 30-72-0082 | Primary Wobble Plate | (1) |
| ★ 38 | 30-72-0092 | Secondary Wobble Plate | (1) |
| 39 | 31-05-0050 | Baffle | (1) |
| 40 | 31-12-0190 | Switch Cap | (1) |
| ★ 41 | 31-44-1660 | Right Handle Half | (1) |
| 42 | 31-44-1665 | Left Handle Half | (1) |

| FIG. | PART NO. | DESCRIPTION OF PART | NO. REQ. |
|------|------------|----------------------------|----------|
| 43 | 31-52-0010 | Shoe Release Lever | (1) |
| ★ 44 | 31-55-0190 | Coil Shield | (1) |
| ★ 45 | 32-40-2223 | Intermediate Gear Assembly | (1) |
| 46 | 34-40-1275 | O-Ring | (1) |
| 47 | 34-40-4200 | O-Ring | (2) |
| 48 | 34-60-1315 | Ext. Retaining Ring | (2) |
| 49 | 34-80-2600 | Internal Retaining Ring | (3) |
| 50 | 36-92-0701 | Wobble Shaft | (1) |
| ★ 51 | 38-50-5831 | Reciprocating Spindle | (1) |
| 52 | 42-12-0150 | Axle - Wobble Shaft | (1) |
| 53 | 42-24-0430 | Spindle Bearing | (1) |
| 54 | 42-38-0240 | Bumper | (2) |
| 55 | 42-52-0380 | Bearing Cap | (1) |
| 56 | 42-68-0640 | Blade Clamp | (1) |
| 57 | 42-87-0090 | Counter Balance | (1) |
| 58 | 44-60-1200 | Lock Pin | (1) |
| 59 | 44-86-0375 | Seal Retainer | (1) |
| 60 | 45-06-0475 | Polypak Seal | (1) |
| 61 | 45-06-0500 | Felt Seal | (1) |
| 62 | 45-12-0460 | Gear Case Insulator | (1) |
| 63 | 45-12-0470 | Dust Shield | (1) |
| 64 | 45-36-1450 | Spacer | (1) |
| 65 | 45-76-0320 | Tube Chassis | (1) |
| 66 | 45-88-8220 | Washer | (1) |
| 67 | 49-96-0090 | 3/16" Allen Wrench | (2) |
| 68 | 48-66-4080 | Key Holder | (1) |
| ★ 69 | 43-72-0175 | Heat Sink Holder | (1) |

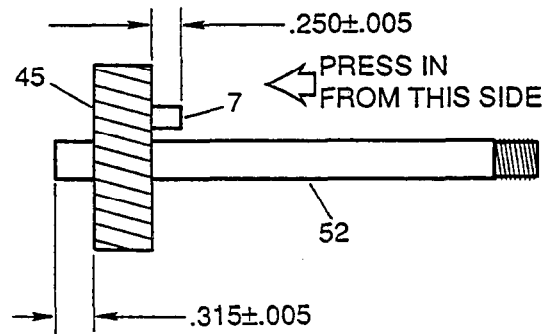
**SEE REVERSE SIDE FOR
IMPORTANT SERVICE NOTES**

MILWAUKEE ELECTRIC TOOL CORPORATION
13135 W. LISBON RD., BROOKFIELD, WI 53005

FIG.

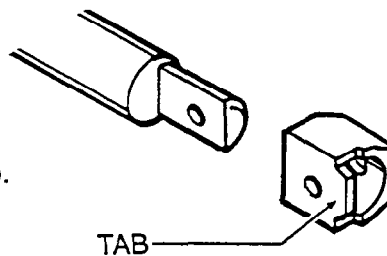
NOTES:

- 1 Seal side faces commutator.
- 2 Seal side faces fan.
- 4 Press flush to diaphragm surface - Mechanism side.
- 5 Torque to 150 in./lbs. \pm 5in./lbs.
- 7/45/52 See sketch for press specifications.



- 34 Place 2-3/4 oz. of type "L" grease, No. 49-08-4175, in mechanism cavity of gear case.
- 35 Place 3/4 oz. of type "L" grease, No. 49-08-4175, in lower needle bearing-gear train cavity of diaphragm.
- 37/38/49 Internal retaining ring side faces center hub of wobble shaft.
- 46 Replace each time gear case mechanism is serviced. O-ring opening of diaphragm & rear of tube chassis must be free of all grease prior to o-ring installation.
- 49 Sharp side of retaining ring faces ball bearing.

- 56 Tab end faces forward - toward shoe assembly (Lessens blade breakage).



- 60 O-ring of polypak seal faces mechanism - toward rear of tool.
- 61 Soak in lightweight lubricating oil prior to assembly.
- 63 Non-conductive insulation of wires must pass through rubber dust shield; Provides proper sealing of switch from contamination.
- 65 Assembled with large O.D. chamfered end facing diaphragm- can be slip or press fit on spindle bearing.