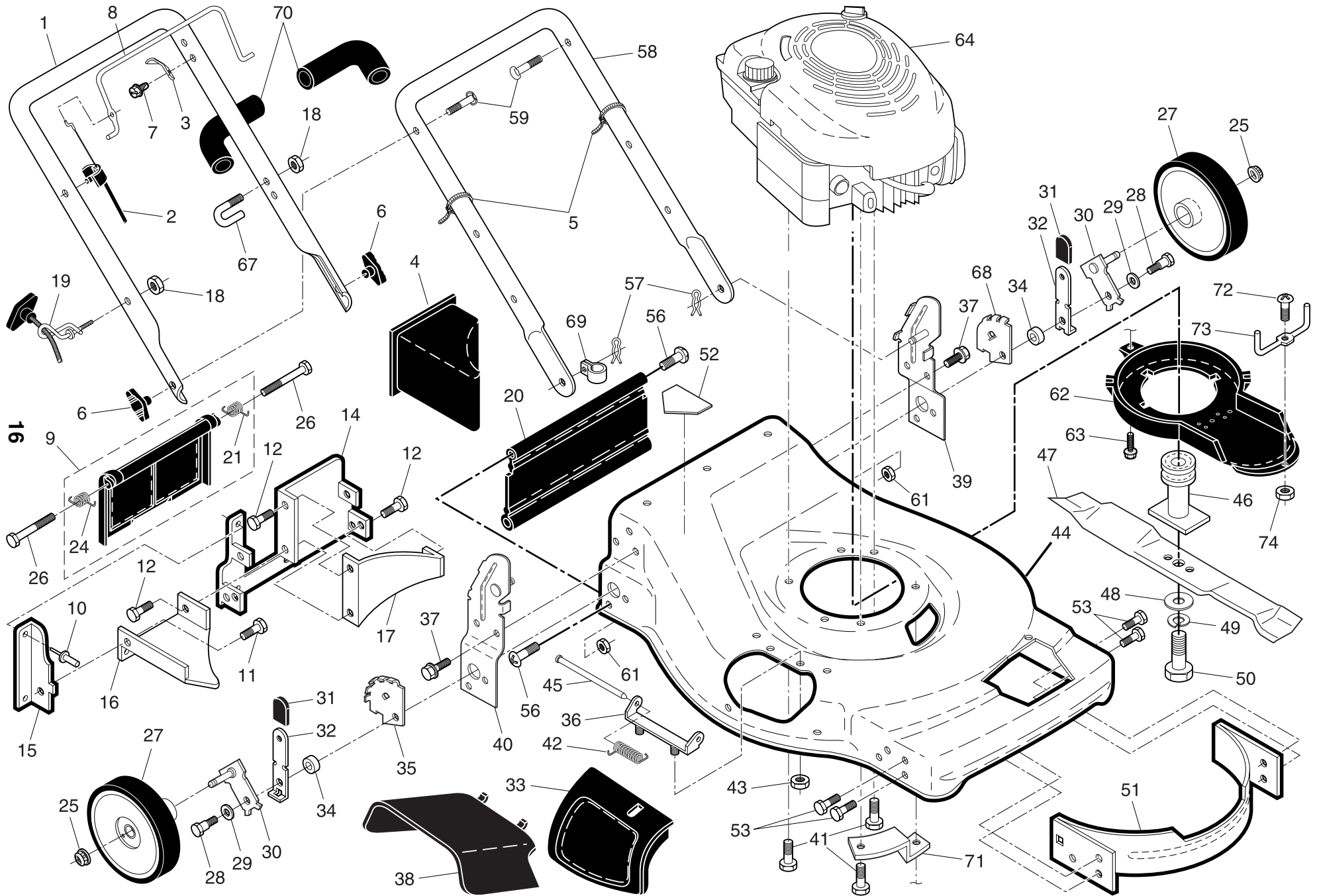


# ROTARY LAWN MOWER - - MODEL NUMBER 6522SL (9614300803) - PRODUCT NUMBER 961 43 00-08



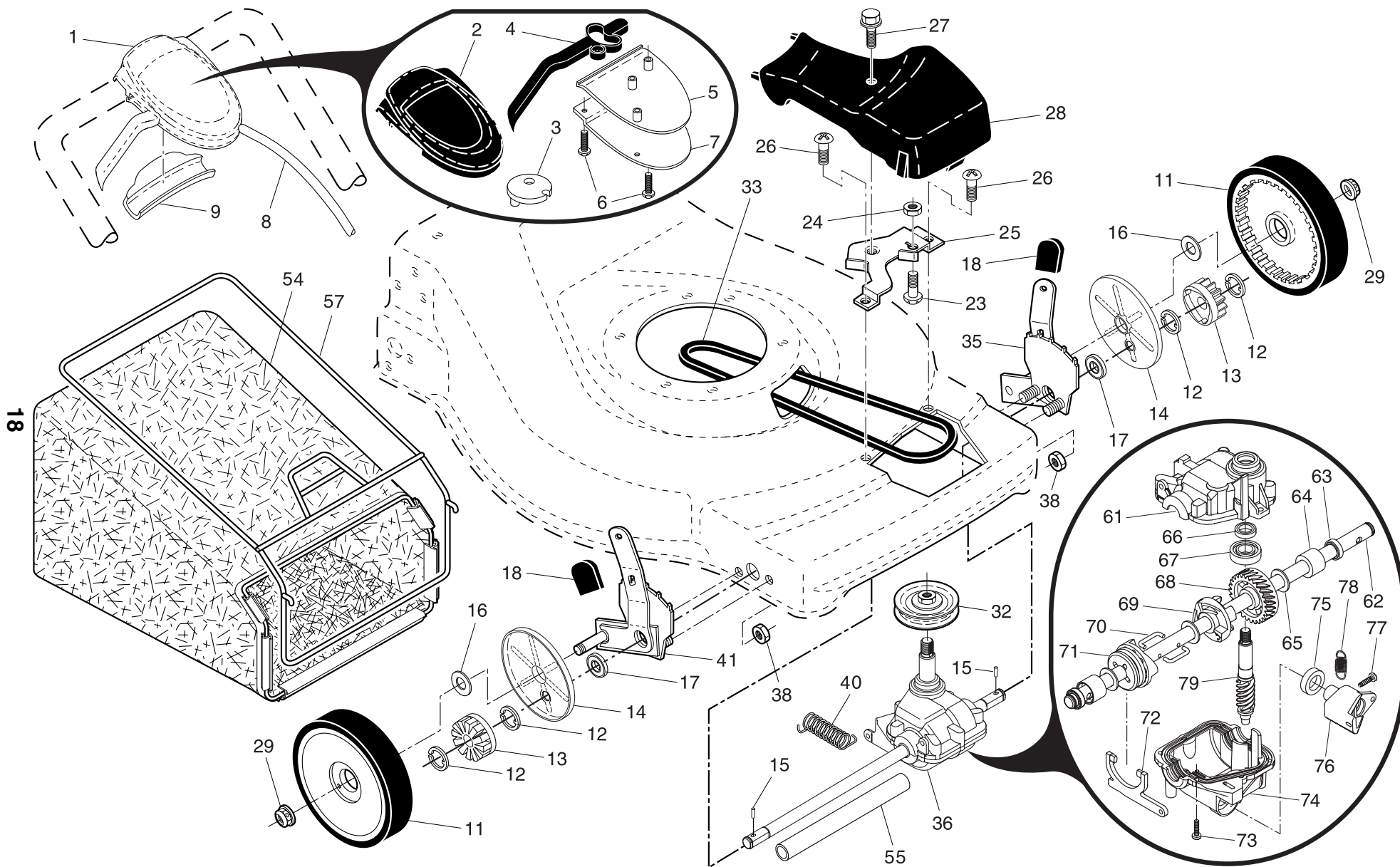
# ROTARY LAWN MOWER - - MODEL NUMBER **6522SL** (96143000803) - PRODUCT NUMBER 961 43 00-08

| KEY NO. | PART NO.            | DESCRIPTION                               | KEY NO. | PART NO.            | DESCRIPTION  |
|---------|---------------------|---|---------|---------------------|--|
| 1       | <b>532 19 64-03</b> | Upper Handle (Includes Foam Grip)         | 39      | 532 19 70-28        | Handle Bracket Assembly, LH  |
| 2       | 532 18 35-67        | Engine Zone Control Cable                 | 40      | 532 19 70-27        | Handle Bracket Assembly, RH  |
| 3       | 532 12 51-62        | Bracket, Upstop                           | 41      | 532 15 04-06        | Screw, Hex Head, Threaded, Rolled 3/8-16 x 1-1/8   |
| 4       | 532 16 66-49        | Mulcher Plug                              | 42      | 532 19 30-00        | Spring, Torsion  |
| 5       | 532 06 64-26        | Wire Tie                                  | 43      | 873 80 04-00        | Nut, Hex, Nylock   |
| 6       | 532 19 18-56        | Handle Knob                               | 44      | 532 19 63-98        | Kit, Lawn Mower Housing<br>(Includes Key Numbers 14, 15 and 51)                          |
| 7       | 532 75 06-34        | Screw                                     | 45      | 532 17 56-50        | Rod, Hinge   |
| 8       | 532 19 70-19        | Control Bar                               | 46      | 532 19 40-37        | Blade Adapter / Pulley   |
| 9       | 532 19 36-79        | Rear Door Assembly (Includes Springs)     | 47      | 532 14 11-14        | Blade, 22"   |
| 10      | 532 12 84-15        | Pop Rivet                                 | 48      | 532 85 10-74        | Washer, Hardened   |
| 11      | 532 15 00-50        | Screw, Self-Tapping #10-24 x 5/8          | 49      | 532 85 02-63        | Washer, Helical  |
| 12      | 532 05 45-83        | Screw, Hex Hex Head, Sems 1/4-20 x 1/2    | 50      | 532 85 10-84        | Screw, Machine, Hex Head 3/8-24 x 1-3/8 Grade 8  |
| 14      | 532 19 70-76        | Back Plate                                | 51      | 532 17 00-31        | Front Baffle   |
| 15      | 532 13 88-60        | Side Baffle                               | 52      | 532 10 73-39        | Danger Decal   |
| 16      | 532 17 71-33        | Discharge Baffle                          | 53      | 817 60 04-06        | Screw  |
| 17      | 532 14 89-41        | Rear Baffle                               | 55      | 532 75 15-92        | Locknut, Hex 3/8-16  |
| 18      | 532 13 20-04        | Keps Locknut 1/4-20                       | 56      | 532 08 86-52        | Screw, Hinge 1/4-20 x 1-1/4  |
| 19      | 532 19 47-88        | Rope Guide                                | 57      | 532 05 17-93        | Hairpin Cotter   |
| 20      | 532 18 90-08        | Rear Skirt                                | 58      | 532 15 34-06        | Lower Handle   |
| 21      | 532 17 09-38        | Spring, Rear Door, LH                     | 59      | 532 19 15-74        | Handle Bolt  |
| 24      | 532 17 09-39        | Spring, Rear Door, RH                     | 61      | 532 75 15-92        | Nut, Hex   |
| 25      | 532 08 39-23        | Nut, Hex, Flanged                         | 62      | 532 19 93-14        | Debris Shield  |
| 26      | 532 18 41-93        | Bolt, Rear Door                           | 63      | 532 19 23-25        | Screw, Debris Shield   |
| 27      | <b>532 40 05-42</b> | Wheel & Tire Assembly, Rear               | 64      | - - -               | Engine, Briggs & Stratton, Model Number<br>125K02 (Order parts from Engine manufacturer) |
| 28      | 532 14 27-48        | Bolt, Shoulder 3/8-16 x 1                 | 67      | <b>532 40 16-07</b> | Clip, Packaging  |
| 29      | 532 06 23-35        | Washer, Belleville                        | 68      | 532 14 08-36        | Whee; Adjusting Bracket, LH  |
| 30      | 532 14 98-57        | Axle Arm Assembly                         | 69      | 532 19 79-91        | Clip, Cable  |
| 31      | 532 19 64-01        | Selector Knob                             | 70      | 532 18 27-48        | Foam Grip  |
| 32      | 532 14 17-30        | Selector Spring                           | 71      | 532 19 09-39        | Bracket Debris Shield  |
| 33      | 532 19 70-29        | Mulcher Door                              | 72      | 532 18 22-27        | Screw #8   |
| 34      | 532 14 66-30        | Spacer                                    | 73      | 532 19 71-62        | Belt Keeper  |
| 35      | 532 14 09-96        | Wheel Adjusting Bracket, RH               | 74      | 532 18 22-28        | Nut #8   |
| 36      | 532 17 57-35        | Hinge Bracket Assembly                    | --      | 532 16 23-00        | Warning Decal (not shown)  |
| 37      | 532 15 00-78        | Screw, Sems, Thread Cutting 5/16-18 x 3/4 | --      | <b>532 40 39-04</b> | Owner's Manual, English / French   |
| 38      | <b>532 40 38-19</b> | Discharge Deflector                       |         |                     |  |

**NOTE:** All component dimensions given in U.S. inches. 1 inch = 25.4 mm

**IMPORTANT:** Use only Original Equipment Manufacturer (O.E.M.) replacement parts. Failure to do so could be hazardous, damage your lawn mower and void your warranty.

# ROTARY LAWN MOWER - - MODEL NUMBER 6522SL (96143000803) - PRODUCT NUMBER 961 43 00-08



# ROTARY LAWN MOWER - - MODEL NUMBER **6522SL** (96143000803) - PRODUCT NUMBER 961 43 00-08

| KEY NO. | PART NO.            | DESCRIPTION  | KEY NO. | PART NO.     | DESCRIPTION  |
|---------|---------------------|--|---------|--------------|--|
| 1       | 532 19 71-94        | Drive Control Assembly (Includes Cable)                | 36      | 532 19 16-36 | Gear Case Assembly, Complete                           |
| 2       | 532 19 57-61        | Cover, Drive Control, Top                              | 38      | 873 80 04-00 | Locknut, Hex 1/4-20                                    |
| 3       | 532 18 73-53        | Pulley   | 40      | 532 19 28-49 | Spring   |
| 4       | 532 19 00-39        | Lever, Drive Control                                   | 41      | 532 19 51-07 | Kit, Wheel Adjuster, RH<br>(Includes Knob and Bearing) |
| 5       | 532 19 57-62        | Cover, Drive Control, Bottom                           | 54      | 532 40 11-89 | Grassbag Assembly                                      |
| 6       | 532 18 16-98        | Screw, Torx Head #8 x 5/8                              | 55      | 532 08 60-12 | Driveshaft Cover                                       |
| 7       | 532 40 07-23        | Mounting Bracket, Drive Control                        | 57      | 532 18 96-80 | Frame, Grassbag  |
| 8       | 532 19 71-95        | Cable, Drive Control                                   | 61      | 532 19 68-86 | Case, Upper  |
| 9       | <b>532 40 07-23</b> | Cap, Drive Control, Bottom                             | 62      | 532 19 70-57 | Shaft, Output  |
| 11      | 532 40 05-43        | Wheel & Tire Assembly                                  | 63      | 532 18 35-08 | Seal, Output Shaft                                     |
| 12      | 812 00 00-58        | E-Ring   | 64      | 532 18 35-11 | Bushing  |
| 13      | 532 75 00-03        | Gear, Pinion   | 65      | 532 18 35-09 | Washer   |
| 14      | 532 18 94-03        | Dust Cover   | 66      | 532 18 35-14 | Seal, Worm Shaft                                       |
| 15      | 532 19 10-17        | Pawl, Drive  | 67      | 532 18 35-06 | Bearing, Ball  |
| 16      | 532 06 77-25        | Washer, Flat 3/8                                       | 68      | 532 18 34-99 | Gear, 27 Teeth   |
| 17      | 532 19 10-39        | Bearing, Wheel Adjuster                                | 69      | 532 19 68-84 | Fixed Dog Clutch                                       |
| 18      | 532 19 64-01        | Selector Knob  | 70      | 532 18 35-05 | Wireform   |
| 23      | 532 08 86-52        | Screw, Hinge 1/4-20 x 1-1/4                            | 71      | 532 19 68-83 | Movable Dog Clutch                                     |
| 24      | 532 19 17-30        | Nut Hex Flange Lock 1/4-20                             | 72      | 532 19 68-82 | Fork   |
| 25      | 532 19 73-86        | Belt Guide Bracket                                     | 73      | 532 18 35-13 | Screw, Case  |
| 26      | 532 19 23-25        | Screw  | 74      | 532 19 68-81 | Case, Lower  |
| 27      | 532 17 52-62        | Pan Head Tapping Screw #10-24 x 2-3/4                  | 75      | 532 19 68-80 | Seal, Lever  |
| 28      | 532 19 73-70        | Drive Cover  | 76      | 532 19 68-79 | Lever  |
| 29      | 532 08 39-23        | Locknut, Hex   | 77      | 532 19 68-78 | Screw, Lever   |
| 32      | 532 19 40-18        | Drive Pulley   | 78      | 532 19 68-77 | Spring   |
| 33      | 532 19 68-57        | V-Belt   | 79      | 532 18 35-02 | Shaft, Worm  |
| 35      | 532 19 51-10        | Kit, Wheel Adjuster, LH<br>(Includes Knob and Bearing) |         |              |  |

\* Use Dow Corning #709 to reseal Gear Case Halves.

**NOTE:** All component dimensions given in U.S. inches. 1 inch = 25.4 mm

**IMPORTANT:** Use only Original Equipment Manufacturer (O.E.M.) replacement parts. Failure to do so could be hazardous, damage your lawn mower and void your warranty.