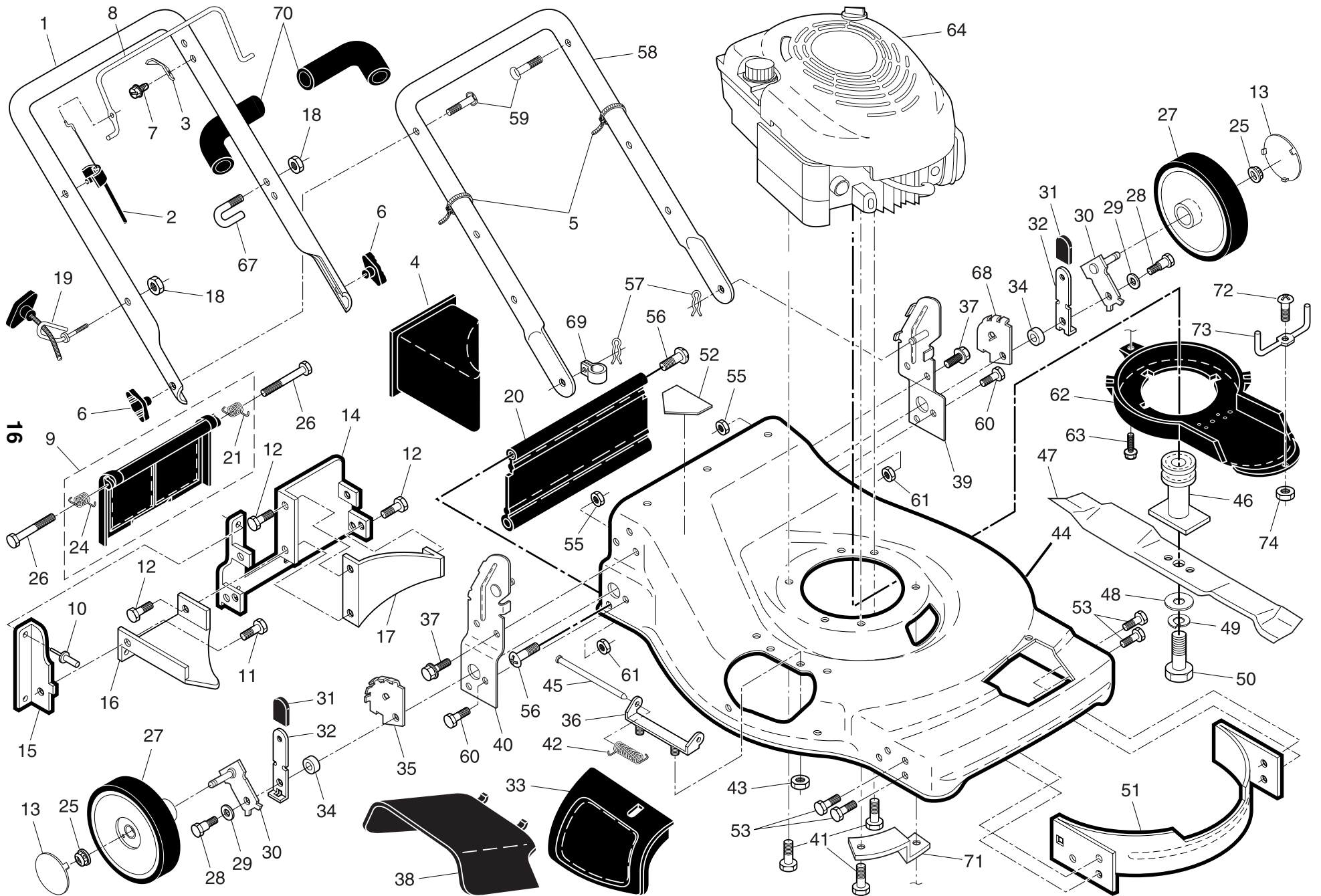


ROTARY LAWN MOWER - - MODEL NUMBER 6522SL (9614300801) - PRODUCT NUMBER 961 43 00-08



ROTARY LAWN MOWER - - MODEL NUMBER **6522SL** (96143000801) - PRODUCT NUMBER 961 43 00-08

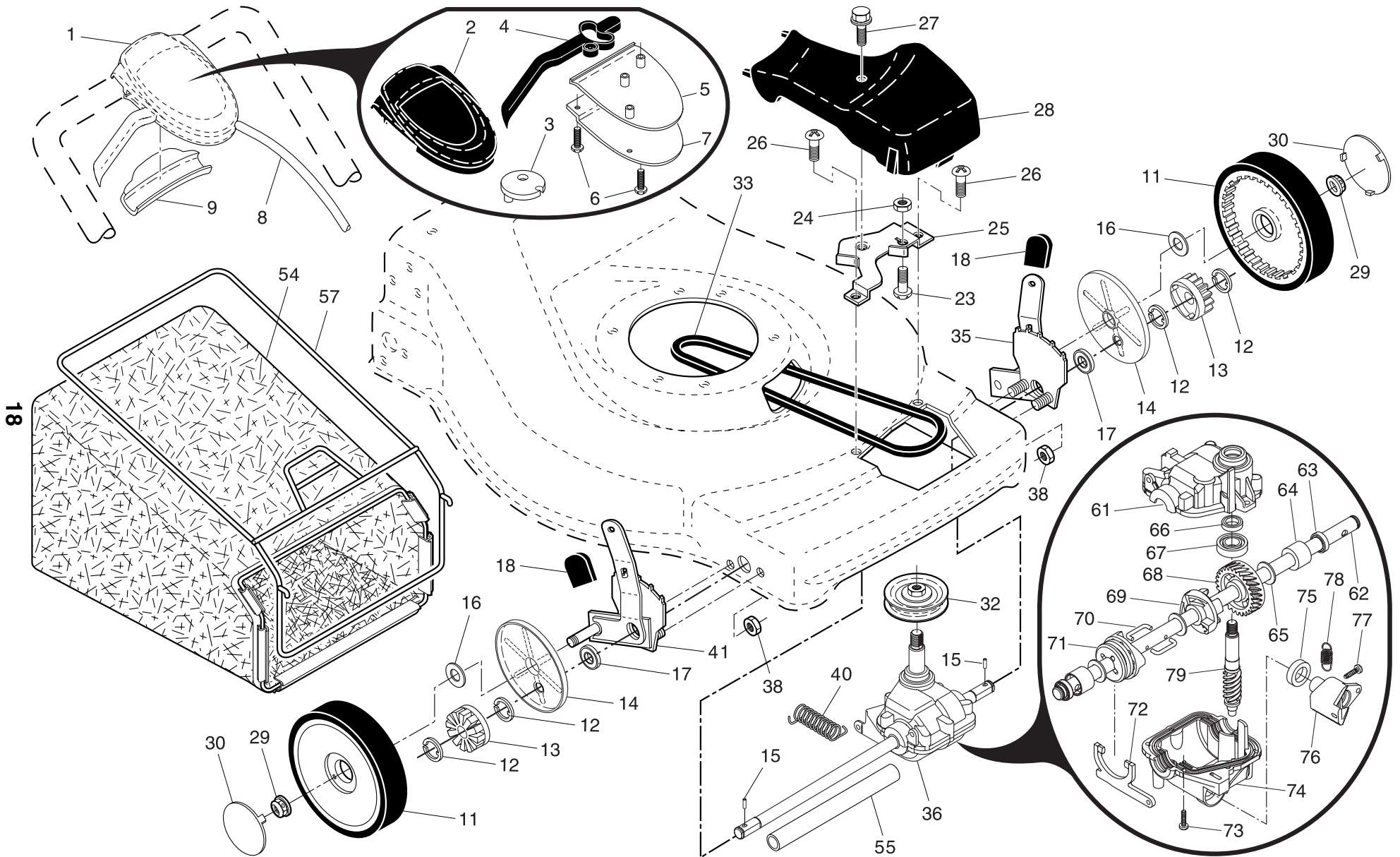
KEY NO.	PART NO.	DESCRIPTION	KEY NO.	PART NO.	DESCRIPTION
1	532 18 97-40	Upper Handle (Includes Foam Grip)	39	532 19 70-28	Handle Bracket Assembly, LH
2	532 18 35-67	Engine Zone Control Cable	40	532 19 70-27	Handle Bracket Assembly, RH
3	532 12 51-62	Bracket, Upstop	41	532 15 04-06	Screw, Hex Head, Threaded, Rolled 3/8-16 x 1-1/8
4	532 16 66-49	Mulcher Plug	42	532 19 30-00	Spring, Torsion
5	532 06 64-26	Wire Tie	43	873 80 04-00	Nut, Hex, Nylock
6	532 19 18-56	Handle Knob	44	532 19 63-98	Kit, Lawn Mower Housing (Includes Key Numbers 14, 15 and 51)
7	532 75 06-34	Screw	45	532 17 56-50	Rod, Hinge
8	532 19 06-20	Control Bar	46	532 19 40-37	Blade Adapter / Pulley
9	532 19 36-79	Rear Door Assembly (Includes Springs)	47	532 14 11-14	Blade, 22"
10	532 12 84-15	Pop Rivet	48	532 85 10-74	Washer, Hardened
11	532 15 00-50	Screw, Self-Tapping #10-24 x 5/8	49	532 85 02-63	Washer, Helical
12	532 05 45-83	Screw, Hex Hex Head, Sems 1/4-20 x 1/2	50	532 85 10-84	Screw, Machine, Hex Head 3/8-24 x 1-3/8 Grade 8
13	532 18 06-26	Hubcap	51	532 17 00-31	Front Baffle
14	532 19 70-76	Back Plate	52	532 10 73-39	Danger Decal
15	532 13 88-60	Side Baffle	53	817 60 04-06	Screw
16	532 17 71-33	Discharge Baffle	55	532 75 15-92	Locknut, Hex 3/8-16
17	532 14 89-41	Rear Baffle	56	532 08 86-52	Screw, Hinge 1/4-20 x 1-1/4
18	532 13 20-04	Keys Locknut 1/4-20	57	532 05 17-93	Hairpin Cotter
19	532 17 95-85	Rope Guide	58	532 15 34-06	Lower Handle
20	532 18 90-08	Rear Skirt	59	532 19 15-74	Handle Bolt
21	532 17 09-38	Spring, Rear Door, LH	60	874 76 06-12	Bolt
24	532 17 09-39	Spring, Rear Door, RH	61	532 75 15-92	Nut
25	532 08 39-23	Nut, Hex, Flanged	62	532 19 71-53	Debris Shield
26	532 18 41-93	Bolt, Rear Door	63	532 19 23-25	Screw, Debris Shield
27	532 15 03-39	Wheel, Rear	64	- - -	Engine, Briggs & Stratton, Model Number 123K02 (Order parts from Engine manufacturer)
28	532 14 27-48	Bolt, Shoulder 3/8-16 x 1	67	532 19 55-04	Clip, Packaging
29	532 06 23-35	Washer, Belleville	68	532 14 08-36	Whee; Adjusting Bracket, LH
30	532 14 98-57	Axle Arm Assembly	69	532 19 27-70	Clip, Cable
31	532 08 78-77	Selector Knob	70	532 18 27-48	Foam Grip
32	532 14 17-30	Selector Spring	71	532 19 09-39	Bracket Debris Shield
33	532 19 70-29	Mulcher Door	72	532 18 22-27	Screw #8
34	532 14 66-30	Spacer	73	532 19 71-62	Belt Keeper
35	532 14 09-96	Wheel Adjusting Bracket, RH	74	532 18 22-28	Nut #8
36	532 17 57-35	Hinge Bracket Assembly	--	532 16 23-00	Warning Decal (not shown)
37	532 15 00-78	Screw, Sems, Thread Cutting 5/16-18 x 3/4	--	532 19 68-63	Owner's Manual, English / French
38	532 19 70-30	Discharge Deflector			

17

NOTE: All component dimensions given in U.S. inches. 1 inch = 25.4 mm

IMPORTANT: Use only Original Equipment Manufacturer (O.E.M.) replacement parts. Failure to do so could be hazardous, damage your lawn mower and void your warranty.

ROTARY LAWN MOWER - - MODEL NUMBER 6522SL (9614300801) - PRODUCT NUMBER 961 43 00-08



ROTARY LAWN MOWER - - MODEL NUMBER **6522SL** (96143000801) - PRODUCT NUMBER 961 43 00-08

19

KEY NO.	PART NO.	DESCRIPTION	KEY NO.	PART NO.	DESCRIPTION
1	532 19 71-94	Drive Control Assembly (Includes Cable)	36	532 19 16-36	Gear Case Assembly, Complete
2	532 19 57-61	Cover, Drive Control, Top	38	873 80 04-00	Locknut, Hex 1/4-20
3	532 18 73-53	Pulley	40	532 19 28-49	Spring
4	532 19 00-39	Lever, Drive Control	41	532 19 51-07	Kit, Wheel Adjuster, RH (Includes Knob and Bearing)
5	532 19 57-62	Cover, Drive Control, Bottom	54	532 19 63-96	Grassbag Assembly
6	532 18 61-98	Screw, Torx Head #8 x 5/8	55	532 08 60-12	Driveshaft Cover
7	532 18 70-97	Mounting Bracket, Drive Control	57	532 18 96-80	Frame, Grassbag
8	532 19 71-95	Cable, Drive Control	61	532 19 68-86	Case, Upper
9	532 18 62-97	Cap, Drive Control, Bottom	62	532 19 70-57	Shaft, Output
11	532 18 07-75	Wheel & Tire Assembly	63	532 18 35-08	Seal, Output Shaft
12	812 00 00-58	E-Ring	64	532 18 35-11	Bushing
13	532 75 00-03	Gear, Pinion	65	532 18 35-09	Washer
14	532 18 94-03	Dust Cover	66	532 18 35-14	Seal, Worm Shaft
15	532 19 10-17	Pawl, Drive	67	532 18 35-06	Bearing, Ball
16	532 06 77-25	Washer, Flat 3/8	68	532 18 34-99	Gear, 27 Teeth
17	532 19 10-39	Bearing, Wheel Adjuster	69	532 19 68-84	Fixed Dog Clutch
18	532 70 10-37	Selector Knob	70	532 18 35-05	Wireform
23	532 08 86-52	Screw, Hinge 1/4-20 x 1-1/4	71	532 19 68-83	Movable Dog Clutch
24	532 75 11-52	Nut Hex Flange Lock 1/4-20	72	532 19 68-82	Fork
25	532 19 60-54	Belt Guide Bracket	73	532 18 35-13	Screw, Case
26	532 18 80-40	Screw	74	532 19 68-81	Case, Lower
27	532 17 52-62	Pan Head Tapping Screw #10-24 x 2-3/4	75	532 19 68-80	Seal, Lever
28	532 19 73-33	Drive Cover	76	532 19 68-79	Lever
29	532 14 52-12	Locknut, Hex	77	532 19 68-78	Screw, Lever
30	532 18 06-26	Hubcap	78	532 19 68-77	Spring
32	532 19 40-82	Drive Pulley	79	532 18 35-02	Shaft, Worm
33	532 19 68-57	V-Belt			
35	532 19 51-10	Kit, Wheel Adjuster, LH (Includes Knob and Bearing)			

* Use Dow Corning #709 to reseal Gear Case Halves.

NOTE: All component dimensions given in U.S. inches. 1 inch = 25.4 mm

IMPORTANT: Use only Original Equipment Manufacturer (O.E.M.) replacement parts. Failure to do so could be hazardous, damage your lawn mower and void your warranty.