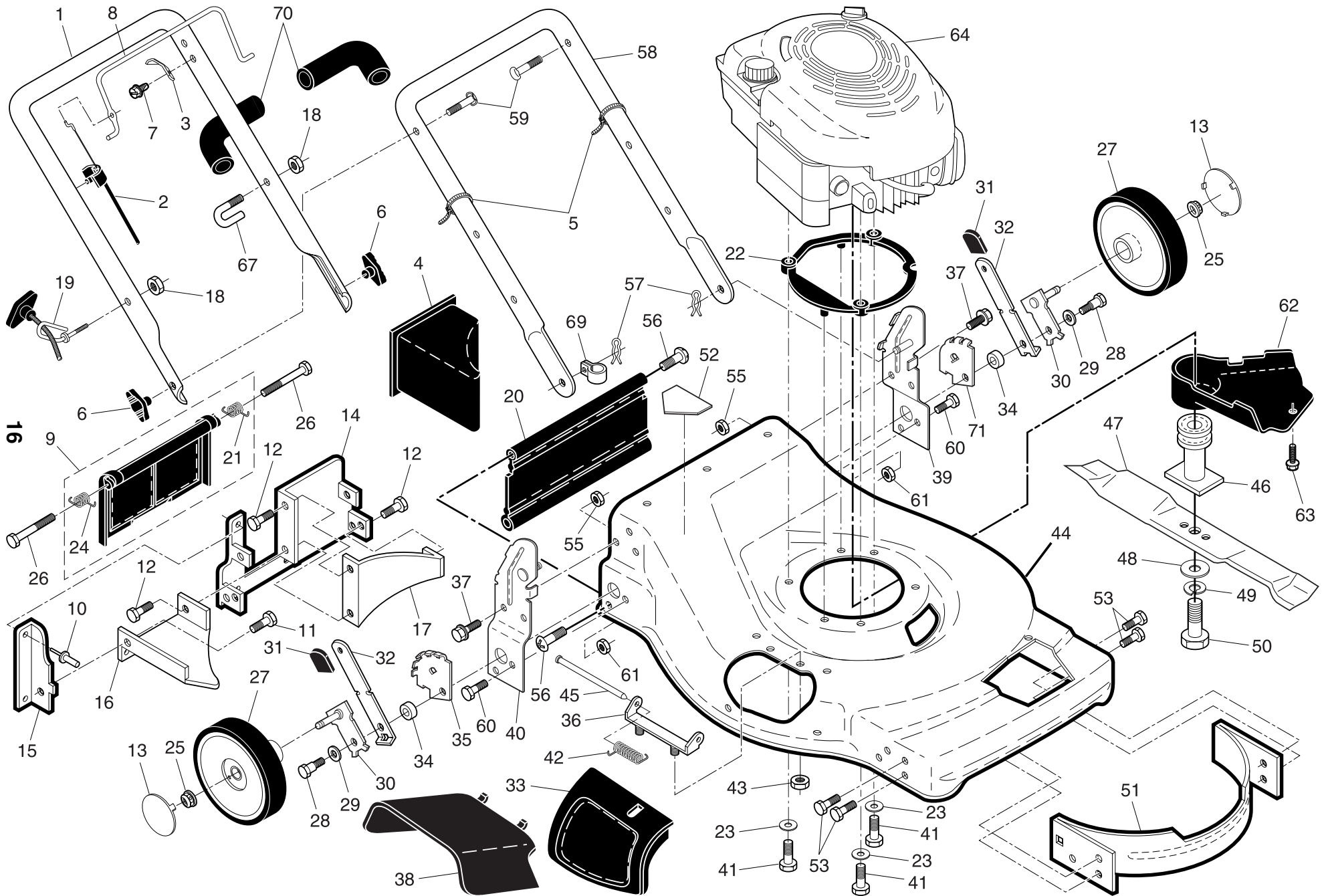


ROTARY LAWN MOWER - - MODEL NUMBER 6522SL (96143000800) - PRODUCT NUMBER 961 43 00-08



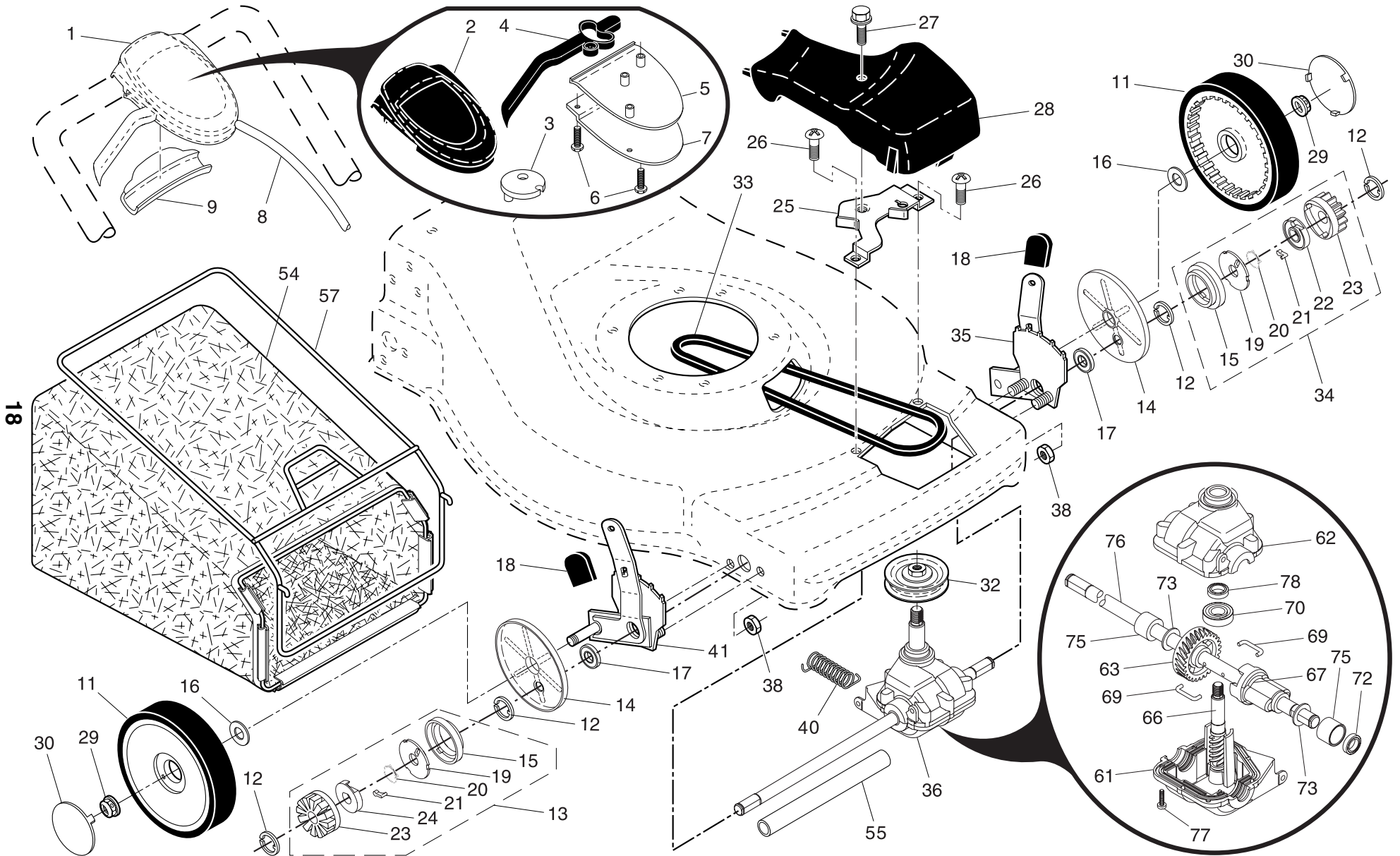
ROTARY LAWN MOWER - - MODEL NUMBER **6522SL** (96143000800) - PRODUCT NUMBER 961 43 00-08

KEY NO.	PART NO.	DESCRIPTION	KEY NO.	PART NO.	DESCRIPTION
1	532 18 97-40	Upper Handle (Includes Foam Grip)	36	532 17 57-35	Hinge Bracket Assembly
2	532 18 35-67	Engine Zone Control Cable	37	532 15 00-78	Screw, Sems, Thread Cutting 5/16-18 x 3/4
3	532 12 51-62	Bracket, Upstop	38	532 19 70-30	Discharge Deflector
4	532 16 66-49	Mulcher Plug	39	532 19 70-28	Handle Bracket Assembly, LH
5	532 06 64-26	Wire Tie	40	532 19 70-27	Handle Bracket Assembly, RH
6	532 19 18-56	Handle Knob	41	532 85 09-99	Screw, Hex Head, Threaded, Rolled 3/8-16 x 1-1/8
7	532 75 06-34	Screw	42	532 19 30-00	Spring, Torsion
8	532 19 06-20	Control Bar	43	873 80 04-00	Nut, Hex, Nylock
9	532 19 36-79	Rear Door Assembly (Includes Springs)	44	532 19 63-98	Kit, Lawn Mower Housing (Includes Key Numbers 14, 15 and 51)
10	532 12 84-15	Pop Rivet	45	532 17 56-50	Rod, Hinge
11	532 15 00-50	Screw, Self-Tapping #10-24 x 5/8	46	532 18 70-37	Blade Adapter / Pulley
12	532 05 45-83	Screw, Hex Hex Head, Sems 1/4-20 x 1/2	47	532 14 11-14	Blade, 22"
13	532 18 06-26	Hubcap	48	532 85 10-74	Washer, Hardened
14	532 16 24-56	Back Plate	49	532 85 02-63	Washer, Helical
15	532 13 88-60	Side Baffle	50	532 17 96-17	Screw, Machine, Hex Head 3/8-24 x 1-3/8 Grade 8
16	532 17 71-33	Discharge Baffle	51	532 17 00-31	Front Baffle
17	532 14 89-41	Rear Baffle	52	532 10 73-39	Danger Decal
18	532 13 20-04	Keys Locknut 1/4-20	53	817 60 04-06	Screw
19	532 17 95-85	Rope Guide	55	532 75 15-92	Locknut, Hex 3/8-16
20	532 18 90-08	Rear Skirt	56	532 08 86-52	Screw, Hinge 1/4-20 x 1-1/4
21	532 17 09-38	Spring, Rear Door, LH	57	532 05 17-93	Hairpin Cotter
22	532 70 13-13	Spacer, Engine	58	532 15 34-06	Lower Handle
23	532 05 39-98	Washer, Flat	59	532 19 15-74	Handle Bolt
24	532 17 09-39	Spring, Rear Door, RH	60	874 76 06-12	Bolt
25	532 08 39-23	Nut, Hex, Flanged	61	532 75 15-92	Nut
26	532 18 41-93	Bolt, Rear Door	62	532 19 60-48	Debris Shield
27	532 15 03-39	Wheel, Rear	63	532 19 23-25	Screw, Debris Shield
28	532 14 27-48	Bolt, Shoulder 3/8-16 x 1	64	- - -	Engine, Briggs & Stratton, Model Number 123K02 (Order parts from Engine manufacturer)
29	532 06 23-35	Washer, Belleville	67	532 19 55-04	Clip, Packaging
30	532 14 98-57	Axle Arm Assembly	69	532 19 27-70	Clip, Cable
31	532 08 78-77	Selector Knob	70	532 18 27-48	Foam Grip
32	532 14 17-30	Selector Spring	71	532 14 08-36	Wheel Adjusting Bracket, LH
33	532 19 70-29	Mulcher Door	- -	532 16 23-00	Warning Decal (not shown)
34	532 14 66-30	Spacer	- -	532 19 63-97	Owner's Manual, English / French
35	532 14 09-96	Wheel Adjusting Bracket, RH			

NOTE: All component dimensions given in U.S. inches. 1 inch = 25.4 mm

IMPORTANT: Use only Original Equipment Manufacturer (O.E.M.) replacement parts. Failure to do so could be hazardous, damage your lawn mower and void your warranty.

ROTARY LAWN MOWER - - MODEL NUMBER 6522SL (96143000800) - PRODUCT NUMBER 961 43 00-08



ROTARY LAWN MOWER - - MODEL NUMBER **6522SL** (96143000800) - PRODUCT NUMBER 961 43 00-08

KEY NO.	PART NO.	DESCRIPTION	KEY NO.	PART NO.	DESCRIPTION
1	532 19 62-72	Drive Control Assembly (Includes Cable)	31	532 13 20-10	Nut, Hex, Flanged
2	532 19 57-61	Cover, Drive Control, Top	32	532 18 94-06	Drive Pulley
3	532 18 73-53	Pulley	33	532 18 99-22	V-Belt
4	532 19 00-39	Lever, Drive Control	34	532 18 83-31	Pinion Assembly, LH
5	532 19 57-62	Cover, Drive Control, Bottom	35	532 19 57-10	Kit, Wheel Adjuster, LH (Includes Knob and Bearing)
6	532 18 61-98	Screw, Torx Head #8 x 5/8	36	532 18 93-80	Gear Case Assembly, Complete
7	532 18 70-97	Mounting Bracket, Drive Control	38	873 80 04-00	Locknut, Hex 1/4-20
8	532 19 61-81	Cable, Drive Control	40	532 18 22-26	Spring
9	532 18 62-97	Cap, Drive Control, Bottom	41	532 19 51-07	Kit, Wheel Adjuster, RH (Includes Knob and Bearing)
11	532 18 07-75	Wheel & Tire Assembly	54	532 19 63-96	Grassbag Assembly
12	812 00 00-58	E-Ring	55	532 08 60-12	Driveshaft Cover
13	532 18 83-30	Pinion Assembly, RH	57	532 18 96-80	Frame, Grassbag
14	532 18 94-03	Dust Cover	61	532 18 75-25 *	Case, Lower
15	532 18 41-72	Seal, Friction	62	532 18 75-26 *	Case, Upper
16	532 06 77-25	Washer, Flat 3/8	63	532 18 34-99	Gear, 27 Teeth
17	532 19 10-39	Bearing, Wheel Adjuster	66	532 18 75-27	Shaft, Input
18	532 70 10-37	Selector Knob	67	532 18 75-28	Spacer
19	532 17 51-04	Disc, Drive	69	532 18 35-05	Wire, Formed
20	532 18 82-91	Spring, Torsion	70	532 18 35-06	Bearing, Ball
21	532 17 50-98	Pawl	72	532 18 35-08	Seal, Output Shaft
22	532 17 51-05	Retainer, Drive, LH	73	532 18 35-09	Washer
23	532 17 51-03	Gear, Pinion	75	532 18 35-11	Bushing
24	532 17 51-02	Retainer, Drive, RH	76	532 19 28-77	Shaft, Output
25	532 19 60-54	Belt Guide Bracket	77	532 18 35-13	Screw
26	532 18 80-40	Screw	78	532 18 35-14	Seal, Input Shaft
27	532 17 52-62	Pan Head Tapping Screw #10-24 x 2-3/4			
28	532 19 73-33	Drive Cover			
29	532 14 52-12	Locknut, Hex			
30	532 18 06-26	Hubcap			

* Use Dow Corning #709 to reseal Gear Case Halves.

NOTE: All component dimensions given in U.S. inches. 1 inch = 25.4 mm

IMPORTANT: Use only Original Equipment Manufacturer (O.E.M.) replacement parts. Failure to do so could be hazardous, damage your lawn mower and void your warranty.