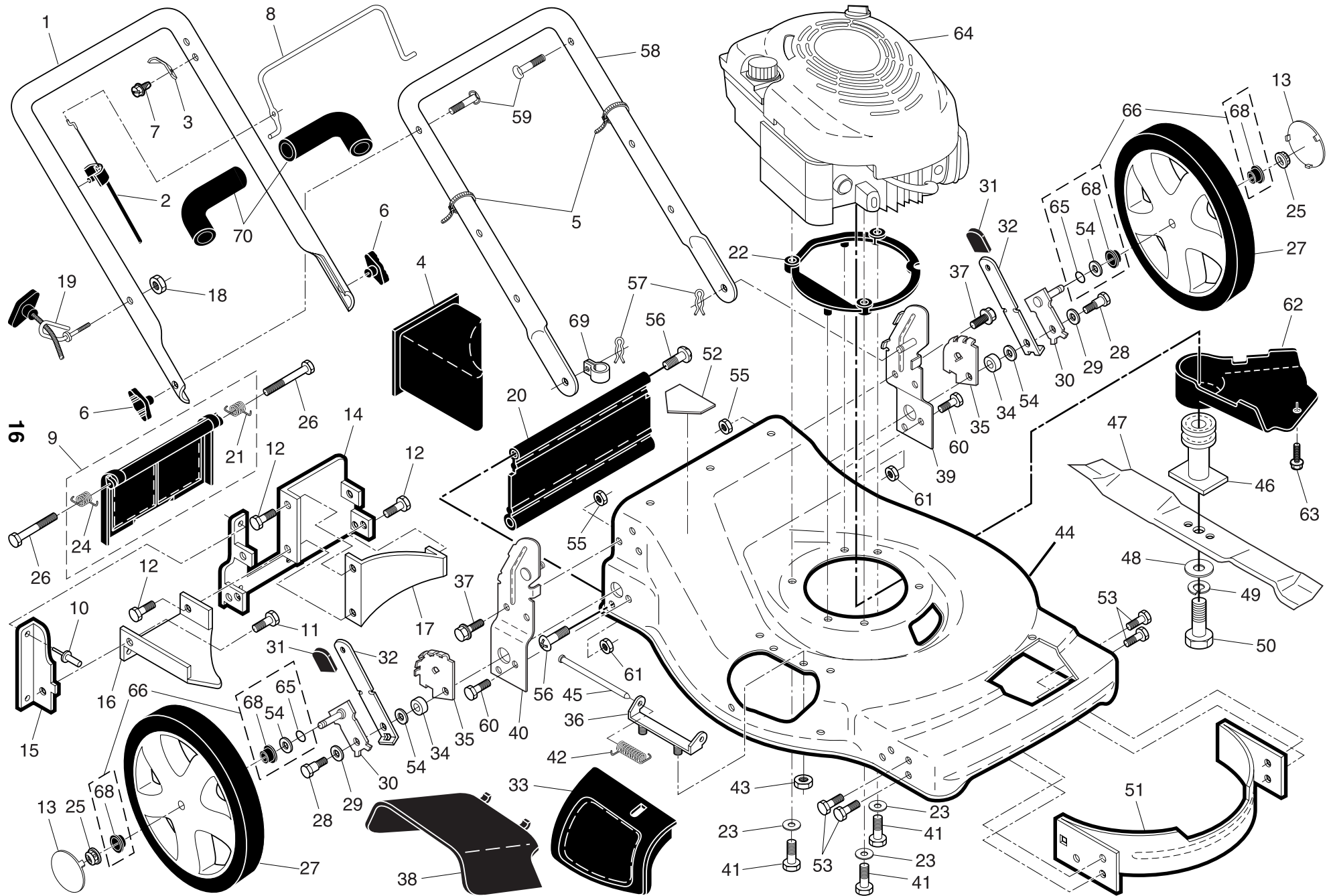


**ROTARY LAWN MOWER - - MODEL NUMBER 6522SH (96143000900) - PRODUCT NUMBER 961 43 00-09**



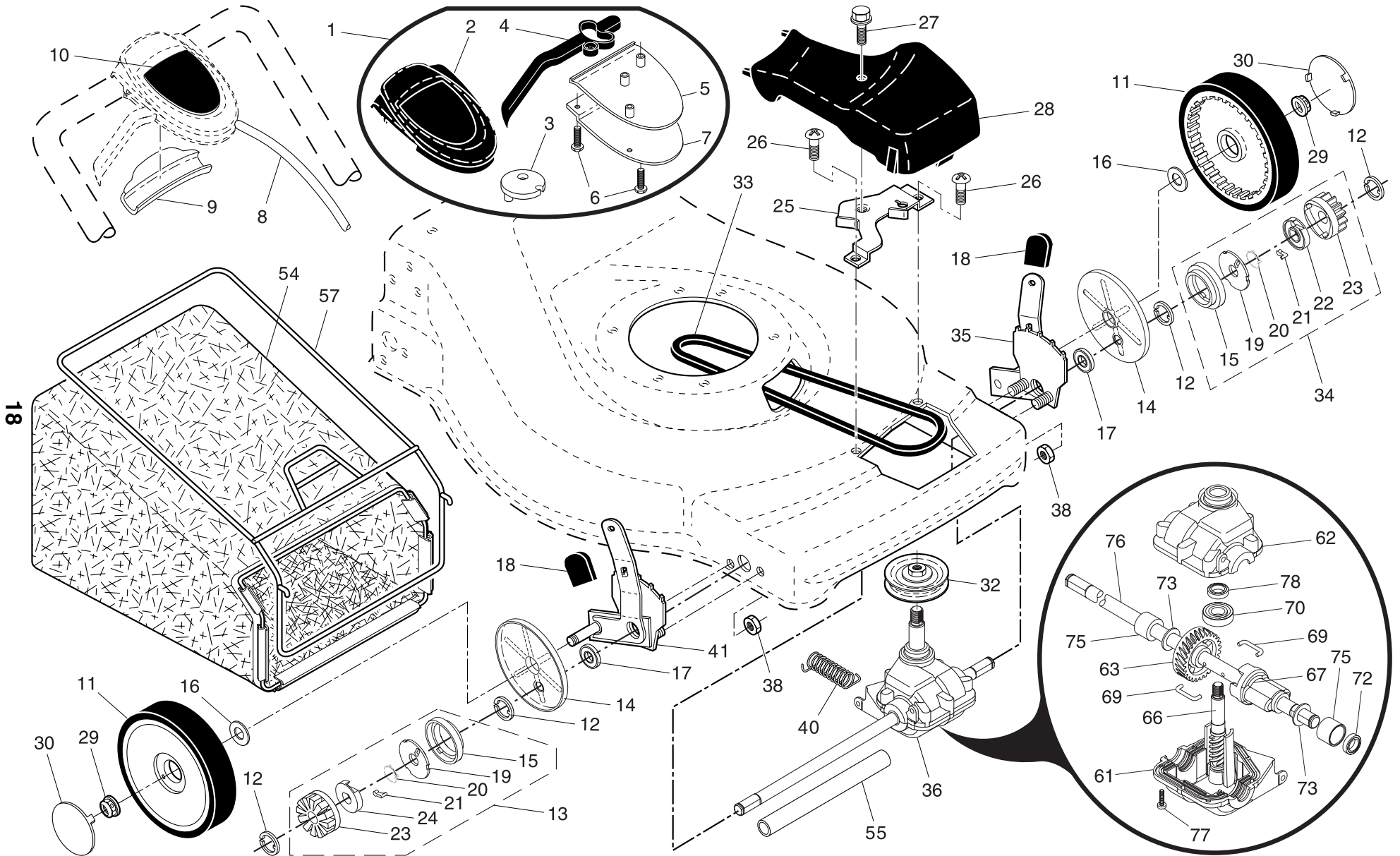
# ROTARY LAWN MOWER - - MODEL NUMBER 6522SH (96143000900) - PRODUCT NUMBER 961 43 00-09

| KEY NO. | PART NO.     | DESCRIPTION                            | KEY NO. | PART NO.     | DESCRIPTION  |
|---------|--------------|--|---------|--------------|--|
| 1       | 532 18 97-40 | Upper Handle (Includes Foam Grip)      | 37      | 532 15 00-78 | Screw, Sems, Thread Cutting 5/16-18 x 3/4  |
| 2       | 532 18 35-67 | Engine Zone Control Cable              | 38      | 532 19 70-30 | Discharge Deflector  |
| 3       | 532 12 51-62 | Bracket, Upstop                        | 39      | 532 19 71-51 | Handle Bracket Assembly, LH  |
| 4       | 532 16 66-49 | Mulcher Plug                           | 40      | 532 19 71-50 | Handle Bracket Assembly, RH  |
| 5       | 532 06 64-26 | Wire Tie                               | 41      | 532 85 09-99 | Screw, Hex Head, Threaded, Rolled 3/8-16 x 1-1/8   |
| 6       | 532 19 18-56 | Handle Knob                            | 42      | 532 19 30-00 | Spring, Torsion  |
| 7       | 532 75 06-34 | Screw                                  | 43      | 873 80 04-00 | Nut, Hex, Nylock   |
| 8       | 532 19 06-20 | Control Bar                            | 44      | 532 19 63-98 | Kit, Lawn Mower Housing<br>(Includes Key Numbers 14, 15 and 51)                          |
| 9       | 532 19 36-79 | Rear Door Assembly (Includes Springs)  | 45      | 532 17 56-50 | Rod, Hinge   |
| 10      | 532 12 84-15 | Pop Rivet                              | 46      | 532 18 70-37 | Blade Adapter / Pulley   |
| 11      | 532 15 00-50 | Screw, Self-Tapping #10-24 x 5/8       | 47      | 532 14 11-14 | Blade, 22"   |
| 12      | 532 05 45-83 | Screw, Hex Hex Head, Sems 1/4-20 x 1/2 | 48      | 532 85 10-74 | Washer, Hardened   |
| 13      | 532 19 18-53 | Hubcap                                 | 49      | 532 85 02-63 | Washer, Helical  |
| 14      | 532 19 70-76 | Back Plate                             | 50      | 532 17 96-17 | Screw, Machine, Hex Head 3/8-24 x 1-3/8 Grade 8  |
| 15      | 532 13 88-60 | Side Baffle                            | 51      | 532 17 00-31 | Front Baffle   |
| 16      | 532 17 71-33 | Discharge Baffle                       | 52      | 532 10 73-39 | Danger Decal   |
| 17      | 532 14 89-41 | Rear Baffle                            | 53      | 817 60 04-06 | Screw  |
| 18      | 532 13 20-04 | Keps Locknut 1/4-20                    | 54      | 532 08 83-48 | Washer   |
| 19      | 532 17 95-85 | Rope Guide                             | 55      | 532 75 15-92 | Locknut, Hex 3/8-16  |
| 20      | 532 18 90-08 | Rear Skirt                             | 56      | 532 08 86-52 | Screw, Hinge 1/4-20 x 1-1/4  |
| 21      | 532 17 09-38 | Spring, Rear Door, LH                  | 57      | 532 05 17-93 | Hairpin Cotter   |
| 22      | 532 70 13-13 | Spacer, Engine                         | 58      | 532 15 50-44 | Lower Handle   |
| 23      | 532 05 39-98 | Washer, Flat                           | 59      | 532 19 15-74 | Handle Bolt  |
| 24      | 532 17 09-39 | Spring, Rear Door, RH                  | 60      | 874 76 06-12 | Bolt   |
| 25      | 532 08 39-23 | Nut, Hex, Flanged                      | 61      | 532 75 15-92 | Nut  |
| 26      | 532 18 41-93 | Bolt, Rear Door                        | 62      | 532 19 60-48 | Debris Shield  |
| 27      | 532 18 05-52 | Wheel, Rear                            | 63      | 532 19 23-25 | Screw, Debris Shield   |
| 28      | 532 14 27-48 | Bolt, Shoulder 3/8-16 x 1              | 64      | - - -        | Engine, Briggs & Stratton, Model Number<br>123K02 (Order parts from Engine manufacturer) |
| 29      | 532 06 16-51 | Washer, Belleville                     | 65      | 532 18 81-52 | O-Ring   |
| 30      | 532 16 22-33 | Axle Arm Assembly                      | 66      | 532 19 34-98 | Kit, Bushing, High Wheel   |
| 31      | 532 19 06-22 | Selector Knob                          | 68      | 532 19 36-96 | Bushing, Nylon, Black  |
| 32      | 532 17 71-32 | Selector Spring                        | 69      | 532 19 27-70 | Clip, Cable  |
| 33      | 532 19 70-29 | Mulcher Door                           | 70      | 532 18 27-48 | Foam Grip  |
| 34      | 532 14 66-30 | Spacer                                 | - -     | 532 16 23-00 | Warning Decal (not shown)  |
| 35      | 532 15 50-47 | Wheel Adjusting Bracket                | - -     | 532 19 64-02 | Owner's Manual, English / French   |
| 36      | 532 17 57-35 | Hinge Bracket Assembly                 |         |              |  |

**NOTE:** All component dimensions given in U.S. inches. 1 inch = 25.4 mm

**IMPORTANT:** Use only Original Equipment Manufacturer (O.E.M.) replacement parts. Failure to do so could be hazardous, damage your lawn mower and void your warranty.

# ROTARY LAWN MOWER - - MODEL NUMBER 6522SH (96143000900) - PRODUCT NUMBER 961 43 00-09



# ROTARY LAWN MOWER - - MODEL NUMBER **6522SH** (96143000900) - PRODUCT NUMBER 961 43 00-09

| KEY NO. | PART NO.     | DESCRIPTION                             | KEY NO. | PART NO.       | DESCRIPTION  |
|---------|--------------|---|---------|----------------|--|
| 1       | 532 19 62-72 | Drive Control Assembly (Includes Cable) | 30      | 532 18 06-26   | Hubcap   |
| 2       | 532 19 57-61 | Cover, Drive Control, Top               | 32      | 532 19 40-18   | Drive Pulley   |
| 3       | 532 18 70-03 | Pulley                                  | 33      | 532 18 99-22   | V-Belt   |
| 4       | 532 19 00-39 | Lever, Drive Control                    | 34      | 532 18 83-31   | Pinion Assembly, LH                                    |
| 5       | 532 19 57-62 | Cover, Drive Control, Bottom            | 35      | 532 18 09-15   | Kit, Wheel Adjuster, LH<br>(Includes Knob and Bearing) |
| 6       | 532 18 16-98 | Screw, Torx Head #8 x 5/8               | 36      | 532 18 93-80   | Gear Case Assembly, Complete                           |
| 7       | 532 18 70-97 | Mounting Bracket, Drive Control         | 38      | 873 80 04-00   | Locknut, Hex 1/4-20                                    |
| 8       | 532 19 61-81 | Cable, Drive Control                    | 40      | 532 18 22-26   | Spring   |
| 9       | 532 18 62-97 | Cap, Drive Control, Bottom              | 41      | 532 18 09-14   | Kit, Wheel Adjuster, RH<br>(Includes Knob and Bearing) |
| 10      | 532 18 90-74 | Decal, Drive Control                    | 54      | 532 19 63-96   | Grassbag Assembly                                      |
| 11      | 532 18 07-75 | Wheel & Tire Assembly                   | 55      | 532 08 60-12   | Driveshaft Cover                                       |
| 12      | 812 00 00-58 | E-Ring                                  | 57      | 532 18 96-80   | Frame, Grassbag  |
| 13      | 532 18 83-30 | Pinion Assembly, RH                     | 61      | 532 18 75-25 * | Case, Lower  |
| 14      | 532 18 94-03 | Dust Cover                              | 62      | 532 18 75-26 * | Case, Upper  |
| 15      | 532 18 41-72 | Seal, Friction                          | 63      | 532 18 34-99   | Gear, 27 Teeth   |
| 16      | 532 06 77-25 | Washer, Flat 3/8                        | 66      | 532 18 75-27   | Shaft, Input   |
| 17      | 532 16 99-11 | Bearing, Wheel Adjuster                 | 67      | 532 18 75-28   | Spacer   |
| 18      | 532 19 64-01 | Selector Knob                           | 69      | 532 18 35-05   | Wire, Formed   |
| 19      | 532 17 51-04 | Disc, Drive                             | 70      | 532 18 35-06   | Bearing, Ball  |
| 20      | 532 18 82-91 | Spring, Torsion                         | 72      | 532 18 35-08   | Seal, Output Shaft                                     |
| 21      | 532 17 50-98 | Pawl                                    | 73      | 532 18 35-09   | Washer   |
| 22      | 532 17 51-05 | Retainer, Drive, LH                     | 75      | 532 18 35-11   | Bushing  |
| 23      | 532 17 51-03 | Gear, Pinion                            | 76      | 532 19 28-77   | Shaft, Output  |
| 24      | 532 17 51-02 | Retainer, Drive, RH                     | 77      | 532 18 35-13   | Screw  |
| 25      | 532 19 60-54 | Belt Guide Bracket                      | 78      | 532 18 35-14   | Seal, Input Shaft                                      |
| 26      | 532 18 80-40 | Screw                                   |         |                |  |
| 27      | 532 17 52-62 | Pan Head Tapping Screw #10-24 x 2-3/4   |         |                |  |
| 28      | 532 19 60-56 | Drive Cover                             |         |                |  |
| 29      | 532 14 52-12 | Locknut, Hex                            |         |                |  |

\* Use Dow Corning #709 to reseal Gear Case Halves.

**NOTE:** All component dimensions given in U.S. inches. 1 inch = 25.4 mm

**IMPORTANT:** Use only Original Equipment Manufacturer (O.E.M.) replacement parts. Failure to do so could be hazardous, damage your lawn mower and void your warranty.