

SERVICE PARTS LIST

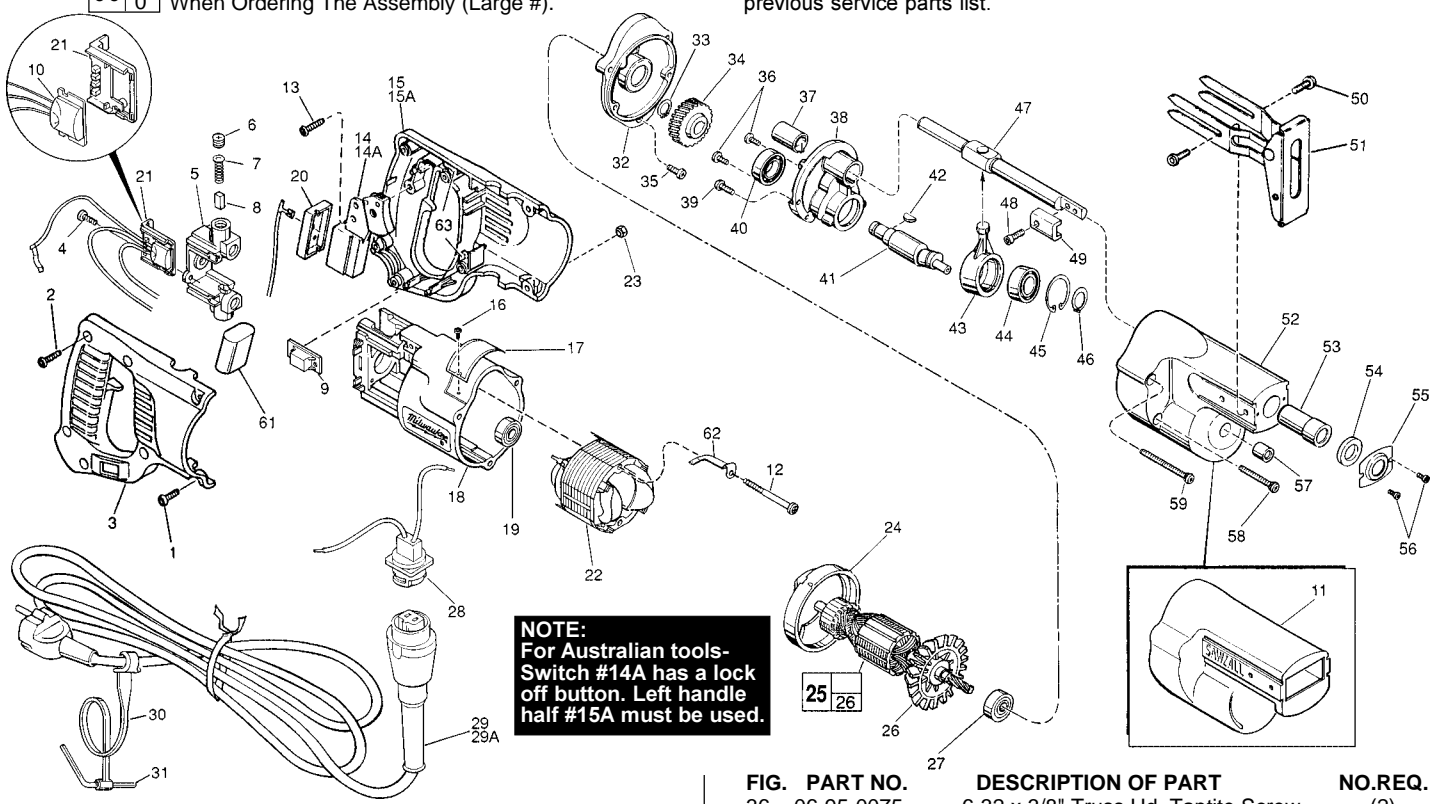
BULLETIN NO.
55-40-0328

SPECIFY CATALOG NO. AND SERIAL NO. WHEN ORDERING PARTS	
SAWZALL®	
CATALOG NO. 6512-51	STARTING SERIAL NO. 600E

REVISED BULLETIN 55-40-0327	DATE Oct. 2001
WIRING INSTRUCTION 58-03-1347	

EXAMPLE:
Component Parts (Small #) Are Included
When Ordering The Assembly (Large #).

★ = Part number change from
previous service parts list.



NOTE:
For Australian tools-
Switch #14A has a lock
off button. Left handle
half #15A must be used.

FIG.	PART NO.	DESCRIPTION OF PART	NO.REQ.
1	06-82-2390	8-32 x 1-1/4" Pan Hd. Slit. Mach. T-20	(2)
2	06-82-7270	8-16 x 5/8" Pan Hd. Slit. Plast. T-20	(5)
3	31-44-1661	Right Handle Half	(1)
4	06-82-7240	6-19 x 1/2" Pan Hd. Slit. Plast. T-15	(2)
5	22-22-1380	Brush Holder Assembly	(1)
6	23-44-0190	Brush Retaining Cap	(2)
7	23-52-0160	Brush Spring	(2)
8	22-16-0375	Carbon Brush	(2)
9	31-53-0120	Plug	(1)
10	14-20-0605	Remote Switch Assembly	(1)
11	45-12-0305	Gear Case Insulator	(1)
12	06-82-7410	8-16 x 1-7/8" Pan Hd. Slit. Plast. T-20	(2)
13	06-82-7270	8-16 x 5/8" Pan Hd. Slit. Plast. T-20	(1)
14	23-66-1975	Switch	(1)
★ 14A	23-66-1978	Switch-Australia (See Note Above)	(1)
15	31-44-1666	Left Handle Half	(1)
★ 15A	31-44-1670	Left Handle Half-Australia (See Note Above)	(1)
16	06-72-1720	Nameplate Rivet	(2)
17	12-99-0942	Nameplate Blank	(1)
18	31-50-0020	Motor Housing	(1)
19	02-04-0845	Ball Bearing	(1)
20	45-12-0470	Dust Shield	(1)
21	43-72-0176	Heat Sink Holder	(1)
22	18-32-0220	220 V. Field	(1)
23	06-55-0835	8-32 Hex Nut	(2)
24	31-05-0055	Baffle	(1)
★ 25	16-34-1430	220 V. Armature	(1)
26	22-84-0531	Fan Assembly	(1)
27	02-04-0911	Ball Bearing	(1)
28	22-56-0692	Blade Housing Assembly	(1)
29	48-76-5012	Quik-Lok Cord Set	(1)
★ 29A	22-64-0684	Quik-Lok Cord Set-Australia	(1)
30	48-66-4080	Key Holder	(1)
31	49-96-0070	5/32" Socket Wrench	(1)
32	28-28-0350	Diaphragm	(1)
33	34-60-0920	External Retaining Ring	(1)
★ 34	32-40-1925	Intermediate Gear	(1)
35	05-88-8306	K5 x 22mm Fil. Hd. PT T-20	(1)

FIG.	PART NO.	DESCRIPTION OF PART	NO.REQ.
	36	06-95-0075	6-32 x 3/8" Truss Hd. Taptite Screw (2)
	37	42-24-0250	Rear Spindle Bearing (1)
	38	28-72-1002	Bearing Plate (1)
	39	06-82-3056	8-32 x 1/2" Fil. Hd. Taptite T-20 (2)
	40	02-04-1510	Ball Bearing (1)
	41	36-92-0720	Wobble Shaft Assembly (1)
	42	06-42-1200	Woodruff Key (1)
	43	30-72-0060	Wobble Plate (1)
	44	02-04-1510	Ball Bearing (1)
	45	34-80-2355	Internal Retaining Ring (1)
	46	34-60-1200	Retaining Ring (1)
	47	38-50-5410	Reciprocating Spindle (1)
	48	06-75-2402	10-32 x 9/16" Pan Hd. Taptite Sems (1)
	49	42-68-0073	Blade Clamp (1)
	50	06-95-6270	10-24 x 1/2" Pan Hd. Taptite Sems (4)
	51	45-16-0495	Pivot Shoe Assembly (1)
	52	28-14-1780	Gear Case (1)
	53	42-24-0320	Spindle Bearing (1)
	54	45-06-0300	Felt Seal (1)
	55	44-86-0370	Seal Retainer (1)
	56	06-95-0050	4-40 x 3/16" Pan Hd. Taptite Screw (2)
	57	02-50-1640	Needle Bearing (1)
	58	06-82-3154	8-32 x 1-3/8" Fil. Hd. Taptite T-20 (2)
	59	05-88-8305	K50 x 54mm Fil. Hd. PT T-20 (2)
	60	14-46-1001	Foam Slug Kit - 10 Slugs (2)
	61	14-20-0590	Suppressor (Capacitor) (1)
	62	44-60-1380	Terminal Stack Connector (1)

FIG. NOTES
39 Apply type 242 blue loctite
33,45,46 Burr side out
37 V-notch press in from diaphragm side
53 Press .02/.03 below surface (.51/.76mm)

FIG. LUBRICATION
34,38 1/2 oz. type "A" grease, No. 49-08-0800.
52 2-1/2 oz. type "B" grease, No. 49-08-0600.

MILWAUKEE ELECTRIC TOOL CORPORATION
13135 W. LISBON RD., BROOKFIELD, WI 53005
Drwg. 3