



# SERVICE PARTS LIST

**BUL. 54-40-4142**

## TWO SPEED DOUBLE INSULATED SAWZALL

REVISED BUL.  
54-40-4141

DATE  
June '77

**Catalog No. 6512**

Starting  
Serial No. **483-25000**

WIRING INSTRUCTIONS  
**58-01-0238**

Specify Catalog and Serial No. when ordering parts

FOR CAT. NO. 6512-2 (240V) TOOL USE:

- 22-16-0255 CARBON BRUSH
- 18-36-0200 FIELD
- 16-36-0400 ARMATURE
- 23-38-2701 DIODE
- 22-64-2625 CORD SET

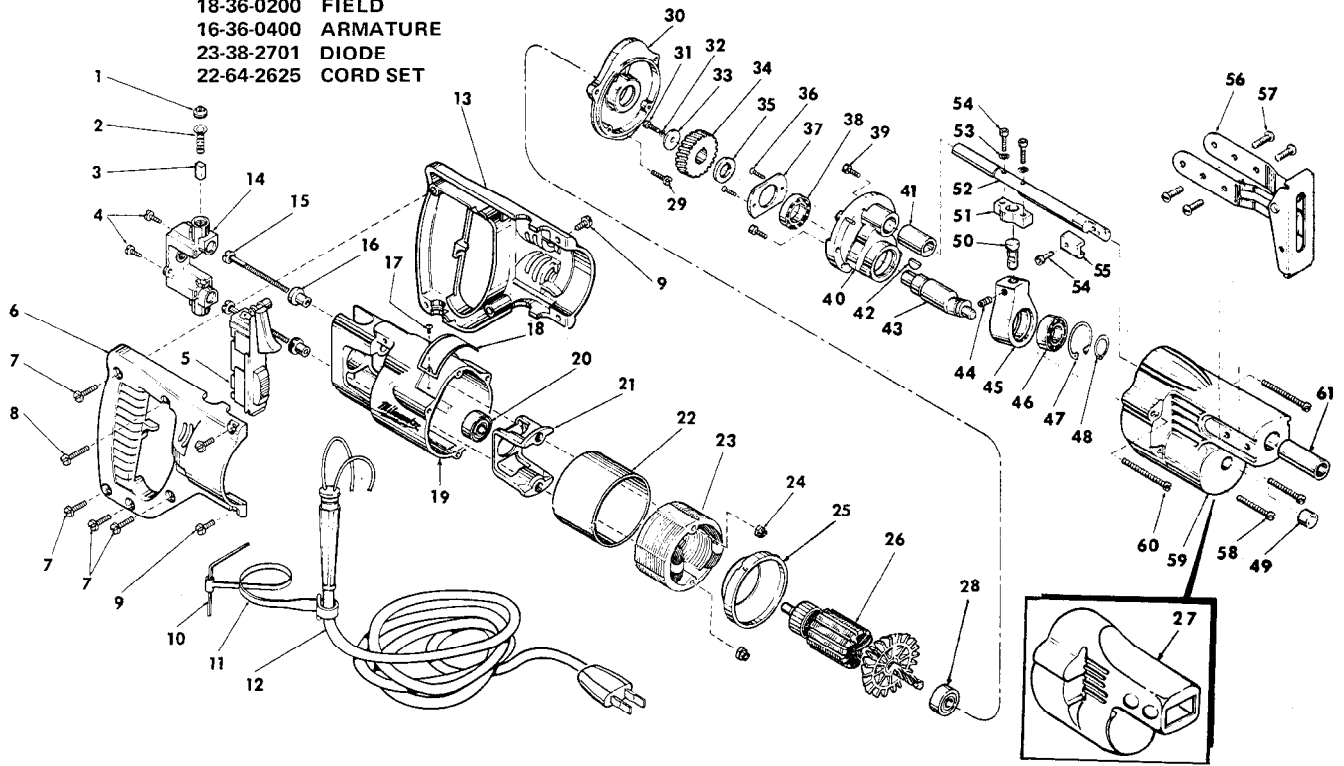


FIG.	PART NO.	DESCRIPTION OF PART	NO. REQ.	FIG.	PART NO.	DESCRIPTION OF PART	NO. REQ.
1	23-44-0120	Brush Retaining Screw	(2)	33	45-88-0180	Retaining Washer	(1)
2	23-52-0160	Brush Spring	(2)	34	32-40-1101	Intermediate Gear	(1)
3	22-16-0250	Carbon Brush	(2)	35	45-36-0121	Gear Spacer	(1)
4	06-81-5475	6-32x3/8 Binding Hd. Sem	(2)	36	06-81-2500	6-32x3/8 Flat Hd. Screw	(2)
5	23-66-0751	Switch	(1)	37	44-86-0090	Bearing Retainer	(1)
★ 6	31-44-0326	R.H. Half D Handle	(1)	38	02-04-1510	Ball Bearing	(1)
7	06-81-0400	8-32x3/4 Pan Hd. Screw	(4)	39	06-81-6150	8-32x1/2 Fil. Hd. Sem	(2)
8	06-81-0472	8-32x1 Pan Hd. Screw	(1)	40	28-72-1001	Bearing Plate	(1)
9	06-81-0047	8-32x1/2 Pan Hd. Screw	(4)	41	42-24-0101	Spindle Bearing	(1)
10	49-96-0070	5/32 Socket Wrench	(1)	42	06-42-1200	Woodruff Key	(1)
11	48-66-4080	Key Holder	(1)	43	36-92-0601	Wobble Shaft	(1)
12	22-64-0625	Cord Set	(1)	44	06-83-2650	1/4-20x3/8 Hdls. Set Screw	(1)
13	31-44-0321	L.H. Half D Handle	(1)	45	28-72-9001	Wobble Plate (Includes Fig. No. 44)	(1)
14	22-22-0300	Brush Holder Assembly	(1)	46	02-04-1510	Ball Bearing	(1)
★ 15	06-81-1055	8-32x2-3/16 Field Bolt	(2)	47	34-80-2355	Retaining Ring	(1)
16	31-86-0120	Insulating Spacer	(2)	48	34-60-1200	Retaining Ring	(1)
17	06-85-0200	6x1/4 Rd. Hd. Type Z Screw	(2)	49	02-50-1640	Needle Bearing	(1)
18	12-99-0033	Nameplate	(1)	50	45-58-0050	Ball End Stud	(1)
19	28-50-6147	Motor Housing	(1)	51	30-10-1010	Spindle Block	(1)
20	02-04-0891	Ball Bearing	(1)	52	38-50-2002	Spindle	(1)
★ 21	31-55-0030	Coil Shield	(1)	53	06-97-3400	Lockwasher	(2)
★ 22	23-16-0456	Field Insulator	(1)	54	06-75-2400	10-32x1/2 Skt. Hd. Screw	(3)
★ 23	18-30-0210	120V Field	(1)	55	42-68-0073	Blade Clamp	(1)
24	06-57-2975	8-32 Flexlock Hex Nut	(2)	56	45-16-0055	Pivot Shoe Assembly	(1)
25	31-05-0050	Baffle	(1)	57	06-81-9525	10-24x1/2 Truss Head Sem	(4)
★ 26	16-30-0400	120V. Armature	(1)	58	06-81-6502	8-32x1-3/8 Fil. Hd. Sem	(2)
★ 27	45-12-0300	Gear Case Insulator	(1)	59	28-14-0571	Gear Case	(1)
28	02-04-0940	Ball Bearing	(1)	60	06-81-6707	8-32x1-7/8 Fil. Hd. Sem	(2)
29	06-81-6202	8-32x5/8 Fil. Hd. Sem	(1)	61	42-24-0091	Spindle Bearing	(1)
30	28-28-0342	Diaphragm	(1)	62	23-38-2700	Diode For Switch (Not Shown)	(1)
31	06-75-2400	10-32x1/2 Skt. Hd. Screw	(1)	63	12-98-7081	Caution Plate (Not Shown)	(1)
32	06-97-3400	Lock Washer	(1)				