



# SERVICE PARTS LIST

**BULLETIN NO.**  
54-40-4255

SPECIFY CATALOG NO. AND SERIAL NO. WHEN ORDERING PARTS		REVISED BULLETIN 54-40-4254	DATE May '82
<b>TWO SPEED SAWZALL</b>			
<b>CATALOG NO. 6511</b>	<b>STARTING SERIAL NO. 460-255000</b>	<b>WIRING INSTRUCTION 58-01-0245</b>	
<b>CAT. NO. 6511-6</b>	<b>START SER. NO. 460-255000</b>	<b>BILINGUAL LABEL 10-98-6120</b>	

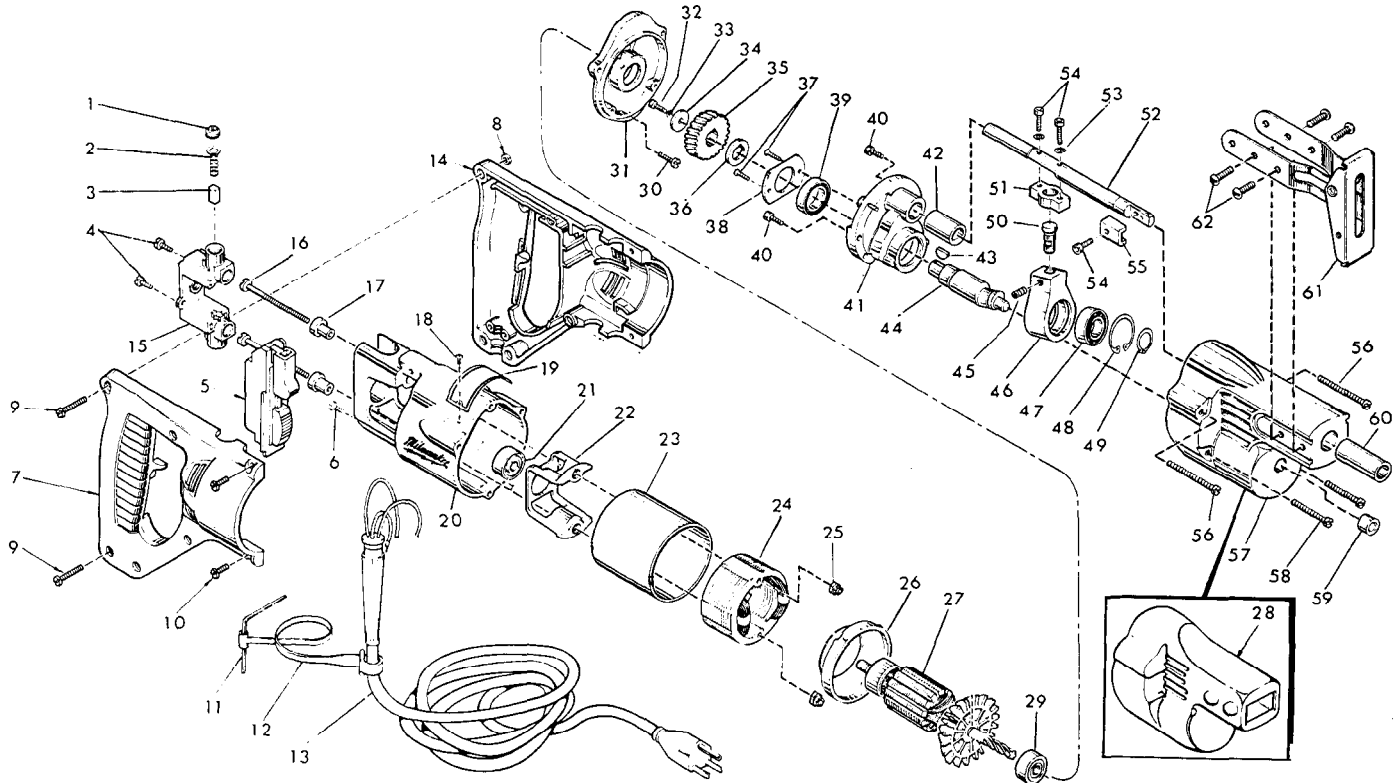


FIG.	PART NO.	DESCRIPTION OF PART	NO. REQ.	FIG.	PART NO.	DESCRIPTION OF PART	NO. REQ.
1	23-44-0120	Brush Retaining Screw	(2)	33	06-97-3400	Lock Washer	(1)
2	23-52-0160	Brush Spring	(2)	34	45-88-0180	Retaining Washer	(1)
3	22-16-0250	Carbon Brush	(2)	35	32-40-1101	Intermediate Gear	(1)
4	06-81-5477	6-32x3/8 Binding Hd. Sem	(2)	36	45-36-0121	Gear Spacer	(1)
★ 5	23-66-1040	Switch	(1)	37	06-81-2502	6-32x3/8 Flat Hd. Screw	(2)
6	06-81-8625	6-32x1/4 Ground Screw	(1)	38	44-86-0090	Bearing Retainer	(1)
★ 7	31-44-0565	R.H. Half D Handle	(1)	39	02-04-1510	Ball Bearing	(1)
★ 8	06-55-0825	8-32 Hex Nut	(5)	40	06-81-6152	8-32x1/2 Fil. Hd. Sem	(2)
9	06-81-0472	8-32x1 Pan Hd. Screw	(5)	41	28-72-1001	Bearing Plate	(1)
10	06-81-0047	8-32x1/2 Pan Hd. Screw	(4)	★ 42	42-24-0105	Spindle Bearing	(1)
11	49-96-0070	5/32 Socket Wrench	(1)	43	06-42-1200	Woodruff Key	(1)
12	48-66-4080	Key Holder	(1)	44	36-92-0601	Wobble Shaft	(1)
★ 13	22-64-0405	Cord Set	(1)	45	06-83-2650	1/4-20x3/8 Set Screw	(1)
★ 14	31-44-0575	L.H. Half D Handle	(1)	46	28-72-9001	Wobble Plate (Incls. Fig. No. 45)	(1)
★ 15	22-22-0302	Brush Holder Assembly	(1)	47	02-04-1510	Ball Bearing	(1)
16	06-81-1055	8-32x2-3/16 Field Bolt	(2)	48	34-80-2355	Retaining Ring	(1)
17	31-86-0120	Insulating Spacer	(2)	49	34-60-1200	Retaining Ring	(1)
18	06-85-0200	6x1/4 Rd. Hd. Type Z Screw	(2)	★ 50	45-58-0055	Ball End Stud	(1)
19	12-99-0031	Nameplate	(1)	★ 51	30-10-1020	Spindle Block	(1)
20	28-50-6147	Motor Housing	(1)	52	38-50-2002	Spindle	(1)
21	02-04-0891	Ball Bearing	(1)	53	06-97-3400	Lock Washer	(2)
22	31-55-0030	Coil Shield	(1)	54	06-75-2400	10-32x1/2 Skt. Hd. Screw	(3)
23	23-16-0456	Field Insulator	(1)	55	42-68-0073	Blade Clamp	(1)
★ 24	18-30-0300	120 V. Field	(1)	56	06-81-6707	8-32x1-7/8 Fil. Hd. Sem	(2)
25	06-57-2975	8-32 Flexlock Hex Nut	(2)	57	28-14-0571	Gear Case	(1)
26	31-05-0050	Baffle	(1)	58	06-81-6502	8-32x1-3/8 Fil. Hd. Sem	(2)
★ 27	16-30-0410	120 V. Armature	(1)	59	02-50-1640	Needle Bearing	(1)
28	45-12-0300	Gear Case Insulator	(1)	★ 60	42-24-0095	Spindle Bearing	(1)
29	02-04-0940	Ball Bearing	(1)	61	45-16-0055	Pivot Shoe Assembly	(1)
30	06-81-6202	8-32x5/8 Fil. Hd. Sem	(1)	62	06-81-5692	10-24x1/2 Pan Head Sem	(4)
31	28-28-0342	Diaphragm	(1)	★ 63	23-38-2790	Diode For Switch (Not Shown)	(1)
32	06-75-2400	10-32x1/2 Skt. Hd. Screw	(1)	★ 64	12-98-7082	Caution Plate (Not Shown)	(1)

Omit for Canadian Tools

**MILWAUKEE ELECTRIC TOOL CORPORATION**  
13135 W. LISBON RD., BROOKFIELD, WIS. 53005