



SERVICE PARTS LIST

BUL. 54-40-4250

TWO SPEED SAWZALL

REVISED BUL DATE July '72

Catalog No. 6511

Starting Serial No. **460-1001**

WIRING INSTR. **58-01-0235**

Both Model and Serial No. must be furnished to obtain correct parts.

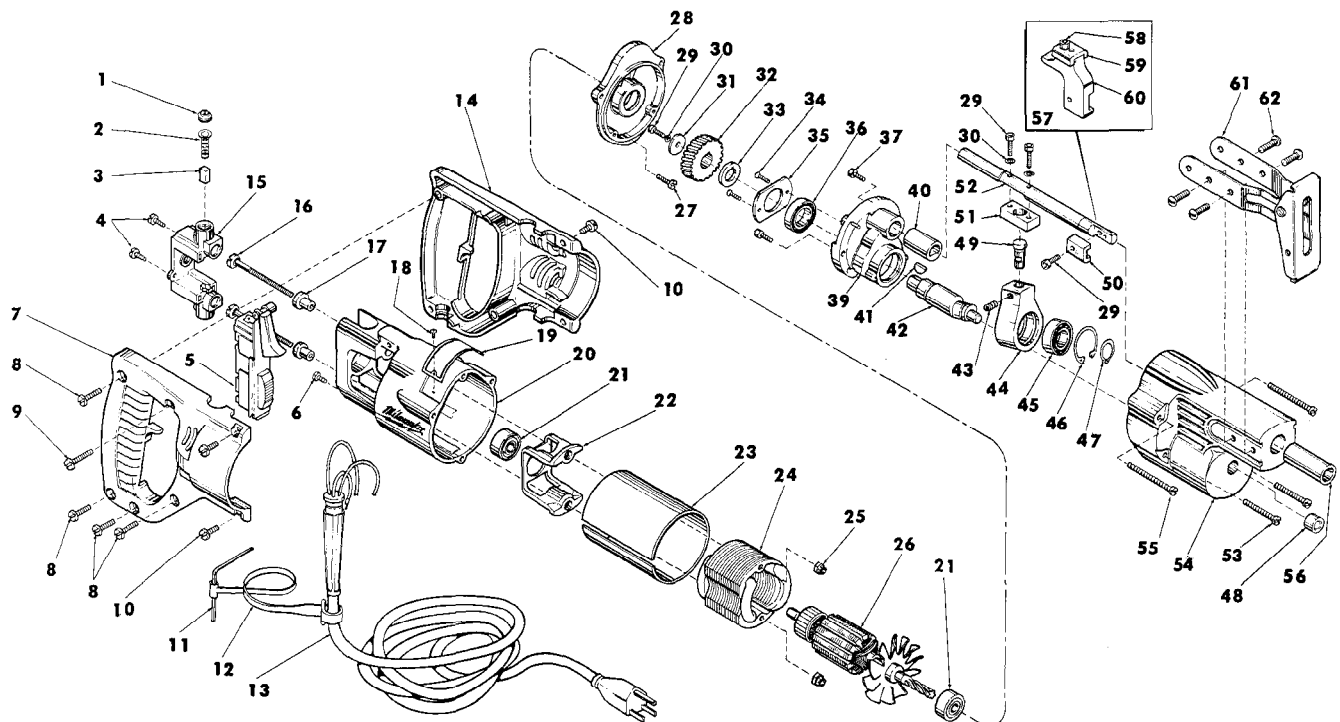


FIG.	PART NO.	DESCRIPTION OF PART	NO. REQ.	FIG.	PART NO.	DESCRIPTION OF PART	NO. REQ.
1	23-44-0120	Brush Retaining Screw	(2)	33	45-36-0121	Gear Spacer	(1)
2	23-52-0160	Brush Spring	(2)	34	06-81-2500	6-32x3/8 Flat Hd. Screw	(2)
3	22-16-0250	Carbon Brush	(2)	35	44-86-0090	Bearing Retainer	(1)
4	06-81-5475	6-32x3/8 Binding Hd. Sem	(2)	36	02-04-1510	Ball Bearing	(1)
5	23-66-0484	Switch	(1)	37	06-81-6150	8-32x 1/2 Fil. Hd. Sem	(2)
6	06-81-8625	6-32x1/4 Ground Screw	(1)	39	28-72-1001	Bearing Plate	(1)
7	31-44-0320	R.H. Half D Handle	(1)	40	42-24-0101	Spindle Bearing	(1)
8	06-81-0400	8-32x3/4 Pan Hd. Screw	(4)	41	06-42-1200	Woodruff Key	(1)
9	06-81-0470	8-32x1 Pan Hd. Screw	(1)	42	36-92-0601	Wobble Shaft	(1)
10	06-81-0045	8-32x1/2 Pan Hd. Screw	(4)	43	06-83-2645	1/4-20x3/8 Hdls. Set Screw	(1)
11	49-96-0070	5/32 Socket Wrench	(1)	44	28-72-9001	Wobble Plate	(1)
12	48-66-4080	Key Holder	(1)	45	02-04-1510	Ball Bearing	(1)
13	22-64-0385	Cord Set	(1)	46	34-80-2355	Retaining Ring	(1)
14	31-44-0321	L.H. Half D Handle	(1)	47	34-60-1200	Retaining Ring	(1)
15	22-22-0300	Brush Holder Assembly	(1)	48	02-50-1640	Needle Bearing	(1)
16	06-81-1050	8-32x2-7/16 Field Bolt	(2)	49	45-58-0050	Ball End Stud	(1)
17	31-86-0120	Insulating Spacer	(2)	50	42-68-0073	Blade Clamp	(1)
18	06-85-0200	6x1/4 Rd. Hd. Type Z Screw	(2)	51	42-28-0050	Spindle Block	(1)
19	12-99-0031	Nameplate	(1)	52	38-50-2002	Spindle	(1)
20	28-50-6142	Motor Housing	(1)	53	06-81-6500	8-32x1-3/8 Fil. Hd. Sem	(2)
21	02-04-0940	Ball Bearing	(2)	54	28-14-0571	Gear Case	(1)
22	31-55-0080	Coil Shield	(1)	55	06-81-6705	8-32x1-7/8 Fil. Hd. Sem	(2)
23	23-16-0435	Field Insulator	(1)	56	42-24-0091	Spindle Bearing	(1)
24	18-42-1220	115 V. Field	(1)	57	48-03-2000	Offset Blade Adapter Assy. (Includes Fig. Nos. 58, 59 and 60)	(1)
25	06-57-2975	8-32 Flexlock Hex Nut	(2)	58	06-75-2400	10-32x1/2 Skt. Hd. Screw	(1)
26	16-42-1420	115 V. Armature	(1)	59	42-68-0073	Blade Skt	(1)
27	06-81-6200	8-32x5/8 Fil. Hd. Sem	(1)	60	28-02-0051	Offset Blade Adapter	(1)
28	28-28-0341	Diaphragm	(1)	61	45-16-0055	Pivot Shoe Assembly	(1)
29	06-75-2400	10-32x1/2 Skt. Hd. Screw	(4)	62	06-81-9525	10-24x1/2 Truss Head Sem	(4)
30	06-97-3400	Lock Washer	(3)				
31	45-88-0180	Retaining Washer	(1)				
32	32-40-1101	Intermediate Gear	(1)				