



# SERVICE PARTS LIST

**BULLETIN NO.  
54-40-0322**

SPECIFY CATALOG NO. AND SERIAL NO. WHEN ORDERING PARTS		REVISED BULLETIN 54-40-0321	DATE Mar. '93
<b>DUAL RANGE VARI-SPEED SAWZALL</b>			
CATALOG NO. 6508	STARTING SERIAL NO. 748-426235	WIRING INSTRUCTION 58-01-0255	

**EXAMPLE:**  
Component Parts ( Small # )  
Are Included When Ordering  
The Assembly ( Large # ).

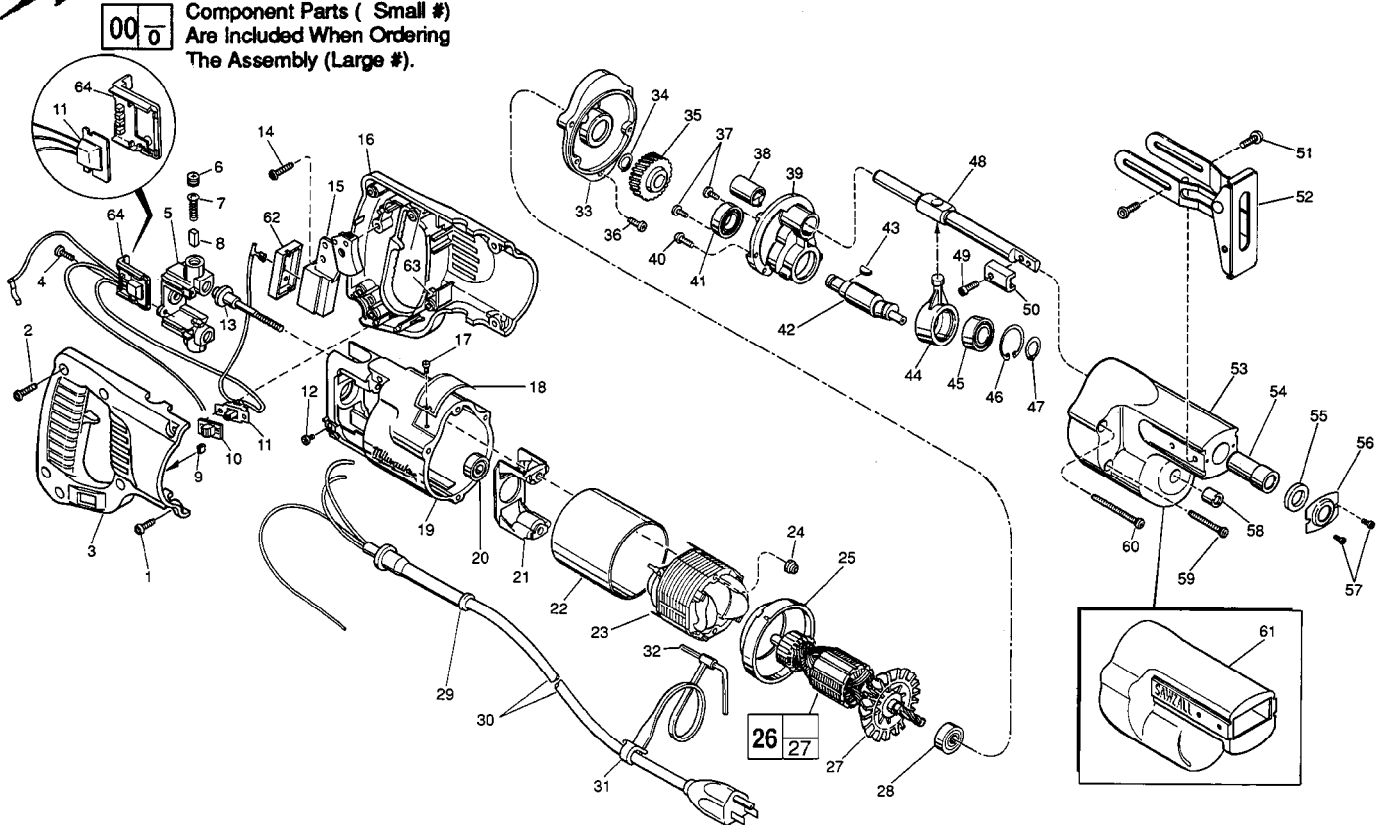


FIG.	PART NO.	DESCRIPTION OF PART	NO. REQ.
	1	06-82-5316 8-32 x 1/2" Slot Pan Hd. T-20	(4)
★	2	06-82-7270 8-16 x 5/8" Pan Hd. Plastite T-20	(5)
★	3	31-44-1650 Right Handle Half	(1)
	4	06-95-0075 6-32 x 3/8" Truss Hd. Taptite Screw	(2)
★	5	22-22-1380 Brush Holder Assembly	(1)
	6	23-44-0190 Brush Retaining Cap	(2)
	7	23-52-0160 Brush Spring	(2)
	8	22-16-0275 Carbon Brush	(2)
	9	42-38-0240 Bumper	(2)
	10	31-12-0190 Switch Cap	(1)
★	11	14-20-0271 Switch Assembly	(1)
	12	06-95-5150 6-32 x 1/4" Hex Hd. Taptite Sems	(1)
★	13	06-81-1060 8-32 x 2-1/4" Field Bolt	(2)
★	14	06-82-7270 8-16 x 5/8" Pan Hd. Plastite T-20	(1)
★	15	23-66-1490 Switch	(1)
★	16	31-44-1655 Left Handle Half	(1)
	17	06-85-0200 Nameplate Screw	(2)
★	18	12-99-0520 Nameplate Blank	(1)
★	19	28-50-6211 Motor Housing	(1)
	20	02-04-0845 Ball Bearing	(1)
★	21	31-55-0190 Coil Shield	(1)
	22	23-16-0456 Field Insulator	(1)
★	23	18-31-0200 120V. Field	(1)
	24	06-57-2975 8-32 Flexlock Hex Nut	(2)
	25	31-05-0050 Baffle	(1)
	26	16-30-0425 120 V. Armature	(1)
★	27	22-84-0531 Fan Assembly	(1)
	28	02-04-0911 Ball Bearing	(1)
★	29	44-76-0210 Cord Protector	(1)
★	30	22-64-3190 Cord Set	(1)
	31	48-66-4080 Key Holder	(1)
	32	49-96-0070 5/32" Socket Wrench	(1)
	33	28-28-0345 Diaphragm	(1)
	34	34-60-0920 External Retaining Ring	(1)
	35	32-40-1920 Intermediate Gear	(1)
	36	06-82-0015 8-32 x 5/8" Fil. Taptite T-20	(1)
	37	06-95-0075 6-32 x 3/8" Truss Hd. Taptite Screw	(2)
	38	42-24-0250 Rear Spindle Bearing	(1)
	39	28-72-1002 Bearing Plate	(1)

FIG.	PART NO.	DESCRIPTION OF PART	NO. REQ.
	40	06-82-0020 8-32 x 1/2" Fil. Taptite T-20	(2)
	41	02-04-1510 Ball Bearing	(1)
★	42	36-92-0720 Wobble Shaft	(1)
	43	06-42-1200 Woodruff Key	(1)
	44	30-72-0060 Wobble Plate	(1)
	45	02-04-1510 Ball Bearing	(1)
	46	34-80-2355 Internal Retaining Ring	(1)
	47	34-60-1200 Retaining Ring	(1)
	48	38-50-5410 Reciprocating Spindle	(1)
	49	06-75-2400 10-32 x 1/2" Socket Hd. Screws	(2)
	50	42-68-0073 Blade Clamp	(1)
	51	06-95-6270 10-24 x 1/2" Pan Hd. Taptite Sems	(4)
	52	45-16-0495 Pivot Shoe Assembly	(1)
	53	28-14-1780 Gear Case	(1)
	54	42-24-0320 Spindle Bearing	(1)
	55	45-06-0300 Felt Seal	(1)
	56	44-86-0370 Seal Retainer	(1)
	57	06-95-0050 4-40 x 3/16" Pan Hd. Taptite Screw	(2)
	58	02-50-1640 Needle Bearing	(1)
	59	06-82-5525 8-32 x 1-3/8" Fil. Hd. Taptite T-20	(2)
	60	06-82-5530 8-32 x 1-7/8" Fil. Hd. Taptite T-20	(2)
	61	45-12-0305 Gear Case Insulator	(1)
★	62	45-12-0470 Dust Shield	(1)
★	63	14-46-1001 Foam Slug Kit - 10 Slugs	(2)
★	64	43-72-0175 Heat Sink Holder	(1)

**FIG. NOTES**

- 34,46,47 Burr Side Out
- 38 V-Notch Press In From Diaphragm Side.
- 40 Apply Type 242 Blue Loctite.

**FIG. LUBRICATION**

- 35,39 1/2 Oz. Type "A" Grease, No. 49-08-0800.
- 53 2-1/2 Oz. Type "B" Grease, No. 49-08-0600.

**MILWAUKEE ELECTRIC TOOL CORPORATION**  
13135 W. LISBON RD., BROOKFIELD, WI 53005