



SERVICE PARTS LIST

BULLETIN NO.
54-40-0108

<small>SPECIFY CATALOG NO. AND SERIAL NO. WHEN ORDERING PARTS</small>	<small>REVISED BULLETIN</small> 54-40-0107	<small>DATE</small> May '93
TRIGGER SPEED CONTROL SAWZALL		
<small>CATALOG NO. 6507</small>	<small>STARTING SERIAL NO. 631A</small>	
<small>WIRING INSTRUCTION</small>		58-01-0255

EXAMPLE:
Component Parts (Small #)
Are Included When Ordering
The Assembly (Large #).

00
0

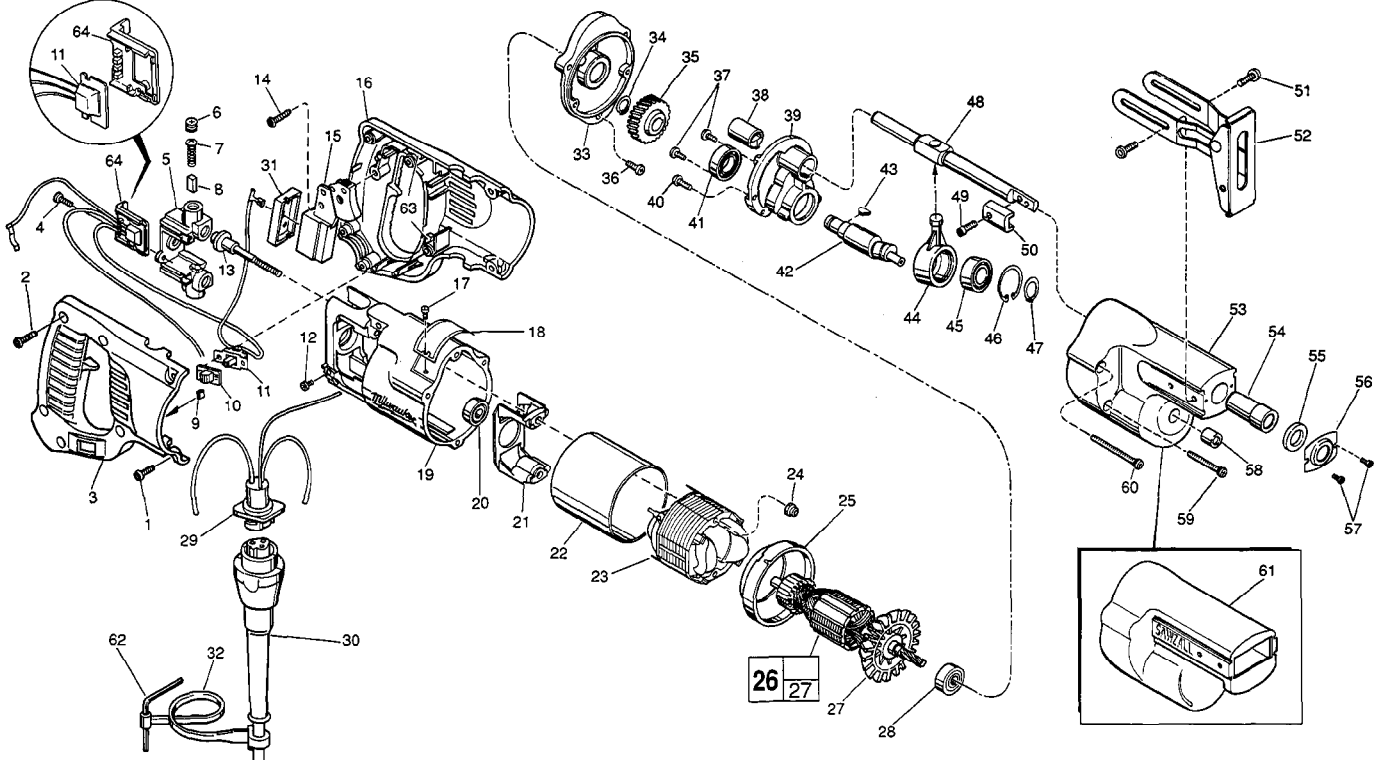


FIG.	PART NO.	DESCRIPTION OF PART	NO. REQ.	FIG.	PART NO.	DESCRIPTION OF PART	NO. REQ.
1	06-82-5316	8-32 x 1/2" Slot Pan Hd. T-20	(4)	39	28-72-1002	Bearing Plate	(1)
2	06-82-7270	8-16 x 5/8" Pan Hd. Plastite T-20	(5)	40	06-82-0020	8-32 x 1/2" Fil. Taptite T-20	(2)
3	31-44-1661	Right Handle Half	(1)	41	02-04-1510	Ball Bearing	(1)
4	06-95-0075	6-32 x 3/8" Truss Hd. Taptite Screw	(2)	42	36-92-0720	Wobble Shaft	(1)
5	22-22-1380	Brush Holder Assembly	(1)	43	06-42-1200	Woodruff Key	(1)
6	23-44-0190	Brush Retaining Cap	(2)	44	30-72-0060	Wobble Plate	(1)
7	23-52-0160	Brush Spring	(2)	45	02-04-1510	Ball Bearing	(1)
8	22-16-0275	Carbon Brush	(2)	46	34-80-2355	Internal Retaining Ring	(1)
9	42-38-0240	Bumper	(2)	47	34-60-1200	Retaining Ring	(1)
10	31-12-0190	Switch Cap	(1)	48	38-50-5410	Reciprocating Spindle	(1)
11	14-20-0271	Switch Assembly	(1)	49	06-75-2400	10-32 x 1/2" Socket Hd Screw	(1)
12	06-95-5150	6-32 x 1/4" Hex Hd. Taptite Sems	(1)	50	42-68-0073	Blade Clamp	(1)
13	06-81-1060	8-16 x 2-1/4 Field Bolt	(2)	51	06-95-6270	10-24 x 1/2" Pan Hd. Taptite Sems	(4)
14	06-82-7270	8-16 x 5/8" Pan Hd. Plastite T-20	(1)	52	45-16-0495	Pivot Shoe Assembly	(1)
15	23-66-1490	Switch	(1)	53	28-14-1780	Gear Case	(1)
16	31-44-1666	Left Handle Half	(1)	54	42-24-0320	Spindle Bearing	(1)
★ 17	06-72-1720	Nameplate Rivet	(2)	55	45-06-0300	Felt Seal	(1)
★ 18	12-99-1730	Service Nameplate	(1)	56	44-86-0370	Seal Retainer	(1)
★ 19	28-50-6220	Motor Housing	(1)	57	06-95-0050	4-40 x 3/16" Pan Hd. Taptite Screw	(2)
20	02-04-0845	Ball Bearing	(1)	58	02-50-1640	Needle Bearing	(1)
21	31-55-0190	Coil Shield	(1)	59	06-82-5525	8-32 x 1-3/8" Fil. Hd. Taptite T-20	(2)
22	23-16-0456	Field Insulator	(1)	60	06-82-5530	8-32 x 1-7/8" Fil. Hd. Taptite T-20	(2)
23	18-31-0200	120V Field	(1)	61	45-12-0305	Gear Case Insulator	(1)
24	06-57-2975	8-32 Flexlock Hex Nut	(2)	62	49-96-0070	5/32" Socket Wrench	(1)
25	31-05-0050	Baffle	(1)	63	14-46-1001	Foam Slug Kit (10 Slugs)	(1)
26	16-30-0425	120 V. Armature	(1)	64	43-72-0175	Heat Sink Holder	(2)
27	22-84-0531	Fan Assembly	(1)				
28	02-04-0911	Ball Bearing	(1)	FIG. NOTES			
29	22-56-0543	Pin Housing Assembly	(1)	34,46,47	Burr Side Out.		
30	48-76-3008	Cord Set	(1)	38	V-Notch Press In From Diaphragm Side.		
31	45-12-0470	Dust Shield	(1)	40	Apply Type 242 Blue Loctite.		
32	48-66-4080	Key Holder	(1)	FIG. LUBRICATION			
33	28-28-0350	Diaphragm	(1)	35, 39	1/2 Oz. Type "A" Lubricant, No. 49-08-0800.		
34	34-60-0920	External Retaining Ring	(1)	53	2-1/2 Oz. Type "B" Lubricant No. 49-08-0600.		
35	32-40-1920	Intermediate Gear	(1)				
36	06-82-0015	8-32 x 5/8" Fil. Hd. Taptite T-20	(1)				
37	06-95-0075	6-32 x 3/8" Truss Hd. Taptite Screw	(2)				
38	42-24-0250	Rear Spindle Bearing	(1)				