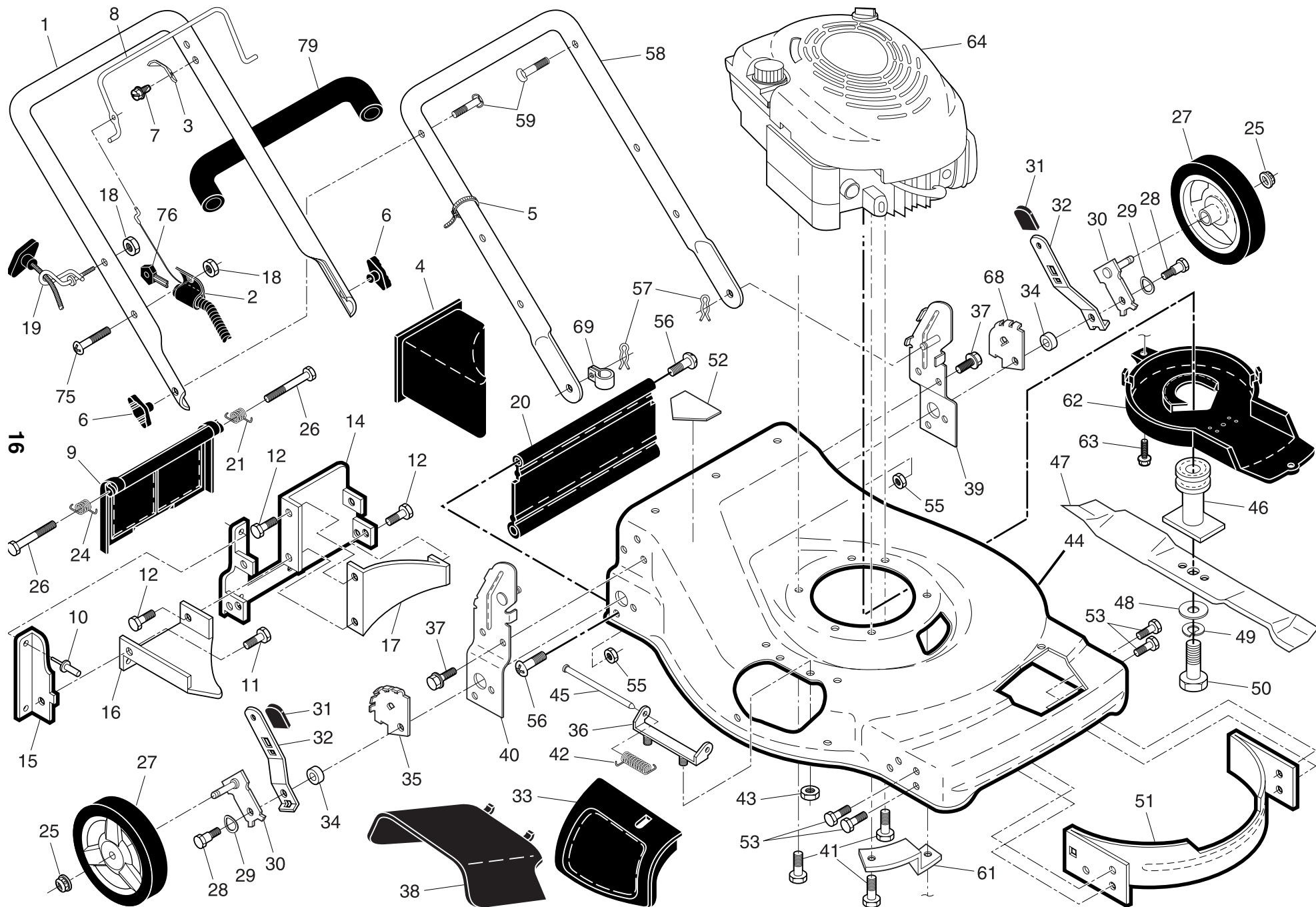


# ROTARY LAWN MOWER - - MODEL NUMBER 65022ES (96143002300) - PRODUCT NUMBER 961 43 00-23



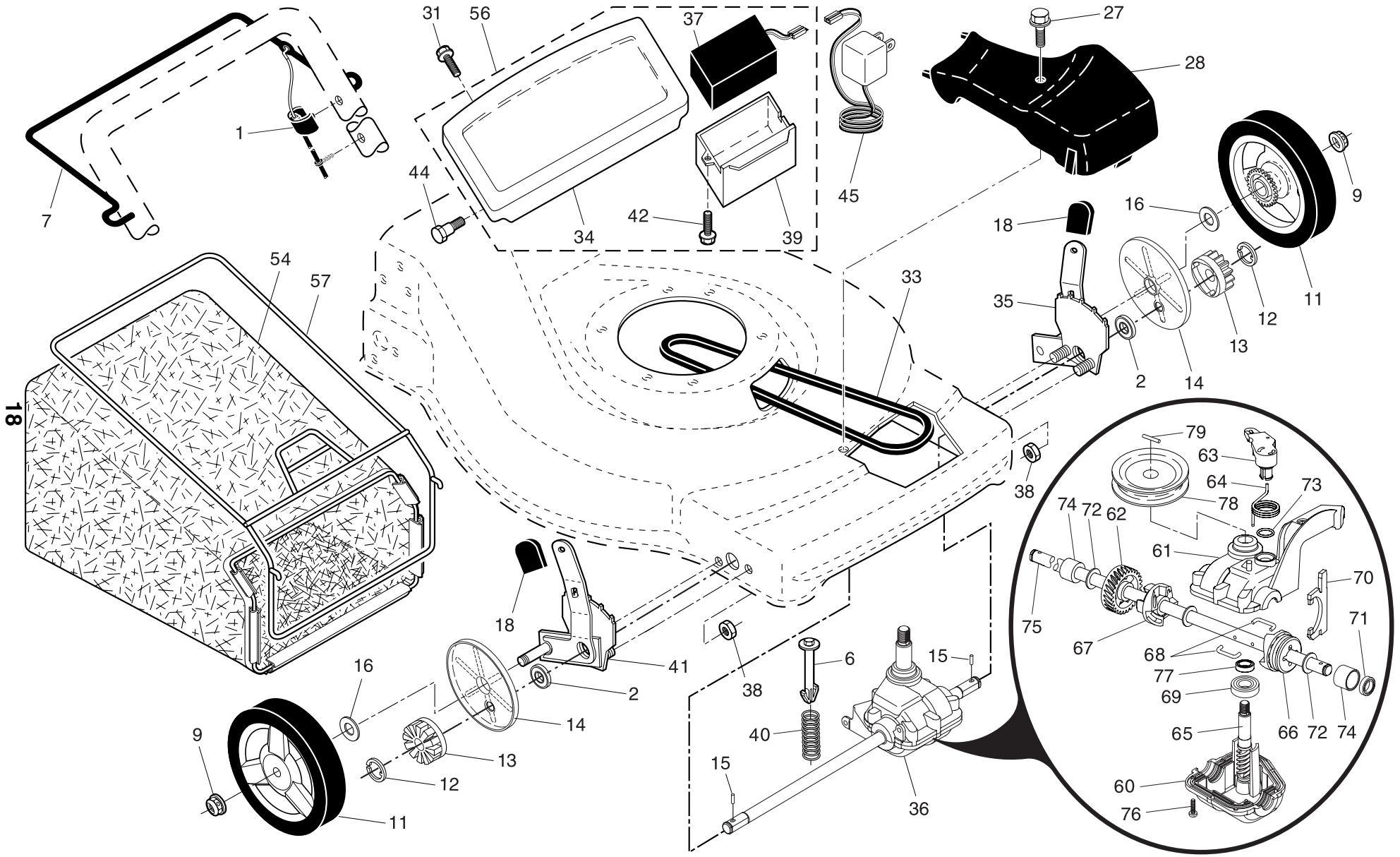
# ROTARY LAWN MOWER - - MODEL NUMBER 65022ES (96143002300) - PRODUCT NUMBER 961 43 00-23

KEY NO.	PART NO.	DESCRIPTION	KEY NO.	PART NO.	DESCRIPTION
1	532 19 99-83	Upper Handle (Includes Foam Grip)	38	532 40 38-19	Discharge Deflector
2	532 18 96-86	Key Start Switch (Includes Key)	39	532 19 70-28	Handle Bracket Assembly, LH
3	532 12 51-62	Bracket, Upstop	40	532 19 70-27	Handle Bracket Assembly, RH
4	532 16 66-49	Mulcher Plug	41	532 15 04-06	Screw, Hex Head, Threaded, Rolled 3/8-16 x 1-1/8
5	532 06 64-26	Wire Tie	42	532 19 30-00	Spring, Torsion
6	532 19 18-56	Handle Knob	43	873 80 04-00	Nut, Hex, Nylock
7	532 75 06-34	Screw	44	532 40 23-02	Kit, Lawn Mower Housing (Includes Key Numbers 14, 15 and 51)
8	532 41 31-85	Control Bar	45	532 17 56-50	Rod, Hinge
9	532 40 84-92	Rear Door Assembly	46	532 18 91-79	Blade Adapter / Pulley
10	532 12 84-15	Pop Rivet	47	532 40 67-13	Blade, 22"
11	532 15 00-50	Screw, Self-Tapping #10-24 x 5/8	48	532 85 10-74	Washer, Hardened
12	532 05 45-83	Screw, Hex Hex Head, Sems 1/4-20 x 1/2	49	532 85 02-63	Washer, Helical
14	532 19 70-76	Back Plate	50	532 85 10-84	Screw, Machine, Hex Head 3/8-24 x 1-3/8 Grade 8
15	532 41 13-34	Side Baffle	51	532 17 00-31	Front Baffle
16	532 17 71-33	Discharge Baffle	52	532 40 47-63	Danger Decal
17	532 14 89-41	Rear Baffle	53	817 60 04-06	Screw
18	532 13 20-04	Keps Locknut 1/4-20	55	873 93 06-00	Nut, Hex
19	532 19 47-88	Rope Guide	56	532 08 86-52	Screw, Hinge 1/4-20 x 1-1/4
20	532 18 90-08	Rear Skirt	57	532 05 17-93	Hairpin Cotter
21	532 40 54-21	Spring, Rear Door, LH	58	532 40 34-33	Lower Handle
24	532 40 54-23	Spring, Rear Door, RH	59	532 19 15-74	Handle Bolt
25	532 40 91-48	Nut, Hex, Flanged	61	532 19 09-39	Bracket Debris Shield
26	532 18 41-93	Bolt, Rear Door	62	532 40 58-43	Debris Shield
27	532 41 31-83	Wheel & Tire Assembly, Rear	63	532 19 23-25	Screw, Debris Shield
28	532 14 27-48	Bolt, Shoulder 3/8-16 x 1	64	- - -	Engine, Briggs & Stratton, Model Number 124T05 (Order parts from Engine manufacturer)
29	532 40 16-30	Washer, Belleville	67	532 40 16-07	Clip, Packaging
30	532 40 78-71	Axle Arm Assembly	68	532 41 06-23	Wheel Adjusting Bracket, LH
31	532 19 64-01	Selector Knob	69	532 19 79-91	Clip, Cable
32	532 40 64-28	Selector Spring	75	532 18 61-59	Screw
33	532 19 70-29	Mulcher Door	76	532 18 03-31	Key
34	532 40 16-29	Spacer	79	532 18 63-62	Foam Grip
35	532 41 06-24	Wheel Adjusting Bracket, RH	--	532 40 47-64	Warning Decal (not shown)
36	532 17 57-35	Hinge Bracket Assembly	--	532 41 23-15	Owner's Manual, English / French
37	532 15 00-78	Screw, Sems, Thread Cutting 5/16-18 x 3/4			

**NOTE:** All component dimensions given in U.S. inches. 1 inch = 25.4 mm

**IMPORTANT:** Use only Original Equipment Manufacturer (O.E.M.) replacement parts. Failure to do so could be hazardous, damage your lawn mower and void your warranty.

ROTARY LAWN MOWER - - MODEL NUMBER 65022ES (96143002300) - PRODUCT NUMBER 961 43 00-23



# ROTARY LAWN MOWER - - MODEL NUMBER **65022ES** (96143002300) - PRODUCT NUMBER 961 43 00-23

KEY NO.	PART NO.	DESCRIPTION	KEY NO.	PART NO.	DESCRIPTION
1	532 19 46-53	Drive Control Cable	44	532 17 55-51	Screw, Shoulder, Hex Head #10-28 x 5/8
6	532 15 04-95	Retainer, Spring	45	532 19 00-97	Charger, Battery
7	532 19 90-93	Bar, Drive Control	54	532 41 06-83	Grassbag Assembly
9	532 40 91-48	Locknut, Hex	56	<b>532 19 12-52</b>	Trimplate / Battery / Battery Box Assembly
11	532 41 10-81	Wheel & Tire Assembly	57	532 40 74-54	Frame, Grassbag
12	812 00 00-58	E-Ring	60	532 18 34-97 *	Case, Lower
13	532 40 38-49	Gear, Pinion	61	532 18 34-98 *	Case, Upper
14	532 18 94-03	Dust Cover	62	532 18 34-99	Gear, 27 Teeth
15	532 19 10-17	Pawl, Drive	63	532 18 35-00	Lever, Clutch
16	532 06 77-25	Washer, Flat 3/8	64	532 18 35-01	Spring, Return
17	532 19 10-39	Bearing, Wheel Adjuster	65	532 18 35-02	Shaft, Input
18	532 19 64-01	Selector Knob	66	532 18 35-03	Dog, Movable
27	532 17 52-62	Pan Head Tapping Screw #10-24 x 2-3/4	67	532 18 35-04	Dog, Fixed
28	532 40 33-42	Drive Cover	68	532 18 35-05	Wire, Formed
31	532 14 18-41	Screw, Torx Pan Head #20	69	532 18 35-06	Bearing, Ball
33	532 14 65-27	V-Belt	70	532 18 35-07	Fork, Shift
34	532 18 61-53	Trimplate	71	532 18 35-08	Seal, Output Shaft
35	532 40 88-02	Kit, Wheel Adjuster, LH (Includes Knob and Bearing)	72	532 18 35-09	Washer
36	532 19 92-06	Gear Case Assembly, Complete	73	532 18 35-10	Seal, Case
37	532 18 95-89	Battery	74	532 18 35-11	Bushing
38	873 80 04-00	Locknut, Hex 1/4-20	75	532 19 65-61	Shaft, Output
39	532 18 62-37	Box, Battery	76	532 18 35-13	Screw
40	532 13 70-90	Spring	77	532 18 35-14	Seal, Input Shaft
41	532 40 88-03	Kit, Wheel Adjuster, RH (Includes Knob and Bearing)	78	532 19 98-52	Pulley, Drive
42	817 41 13-08	Screw, Hex Head #13 x 1/2	79	532 19 94-19	Pin, Retainer

\* Use Dow Corning #709 to reseal Gear Case Halves.

**NOTE:** All component dimensions given in U.S. inches. 1 inch = 25.4 mm

**IMPORTANT:** Use only Original Equipment Manufacturer (O.E.M.) replacement parts. Failure to do so could be hazardous, damage your lawn mower and void your warranty.