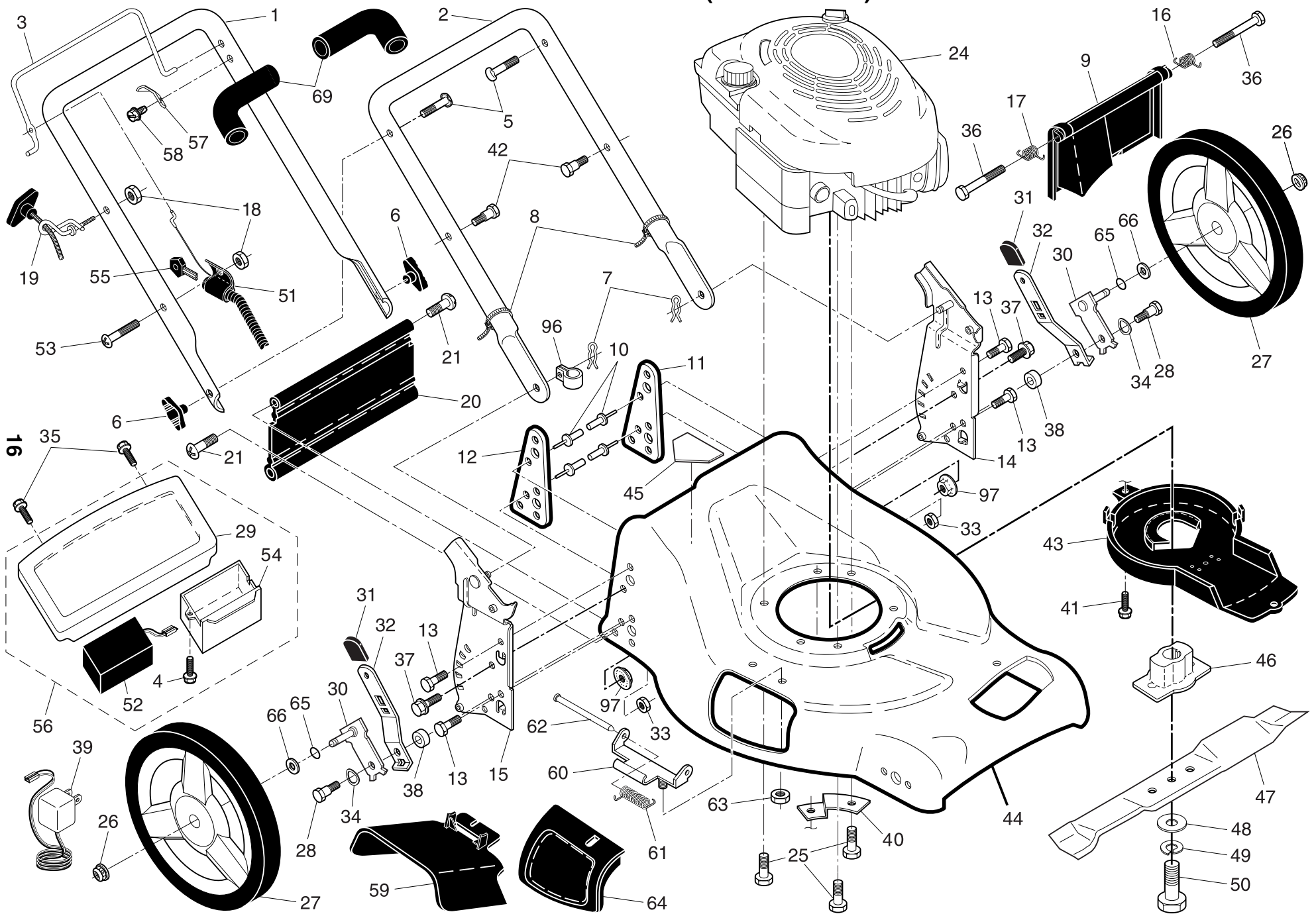


**ROTARY LAWN MOWER - - MODEL NUMBER 65021ES (96143002002) - PRODUCT NUMBER 961 43 00-20**



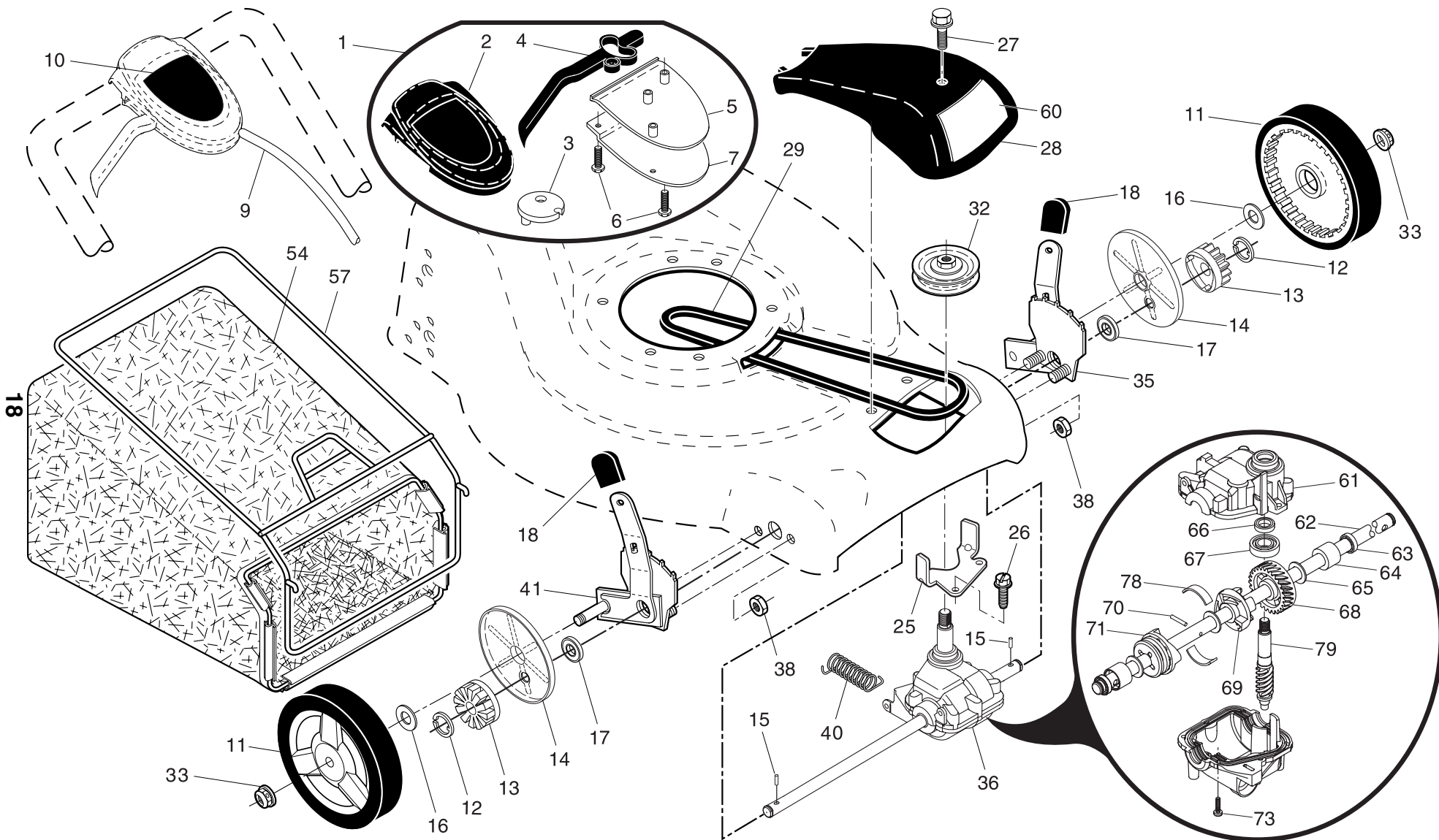
# ROTARY LAWN MOWER - - MODEL NUMBER **65021ES** (96143002002) - PRODUCT NUMBER 961 43 00-20

KEY NO.	PART NO.	DESCRIPTION	KEY NO.	PART NO.	DESCRIPTION
1	532 19 64-03	Upper Handle (Includes Foam Grip)	37	874 78 04-12	Bolt
2	532 41 17-02	Lower Handle	38	532 40 16-29	Spacer
3	532 19 70-19	Control Bar	39	532 19 00-97	Charger, Battery
4	817 41 13-08	Screw	40	532 19 09-39	Mounting Bracket, Debris Shield
5	532 19 15-74	Handle Bolt	41	532 19 23-25	Screw
6	532 19 18-56	Handle Knob	42	532 17 55-51	Screw
7	532 05 17-93	Hairpin Cotter	43	532 40 58-44	Debris Shield
8	532 06 64-26	Wire Tie	44	532 40 89-89	Kit, Lawn Mower Housing (Includes Key Numbers 10, 11, 12 and 45)
9	532 40 69-85	Rear Door Assembly	45	532 40 47-63	Danger Decal
10	532 12 84-15	Pop Rivet	46	532 19 40-37	Blade Adapter
11	532 41 05-40	Support Bracket, LH	47	532 40 67-12	Blade, 21"
12	532 41 05-42	Support Bracket, RH	48	532 85 10-74	Hardened Washer
13	817 06 04-10	Screw 1/4-20 x 5/8	49	532 85 02-63	Helical Washer 3/8-24 x 1-3/8 Grade 8
14	532 19 60-37	Handle Bracket Assembly, LH	50	532 85 10-84	Hex Head Machine Screw 3/8-24 x 1-3/8 Grade 8
15	532 19 60-36	Handle Bracket Assembly, RH	51	532 18 96-86	Key Start Switch (Includes Key)
16	532 40 54-17	Spring, Rear Door, LH	52	532 18 95-89	Battery
17	532 40 54-18	Spring, Rear Door, RH	53	532 18 61-59	Screw
18	532 13 20-04	Keps Locknut 1/4-20	54	532 18 62-37	Battery Box
19	532 19 47-88	Rope Guide	55	<b>532 18 03-31</b>	Key
20	532 18 90-05	Rear Skirt	56	532 19 12-52	Trim Panel / Battery / Battery Box Assembly
21	532 08 86-52	Screw	57	532 12 51-62	Upstop Bracket
24	- - -	Engine, Briggs & Stratton, Model Number 124T05 (for engine service and replacement parts, call Briggs & Stratton at 1-800-233-3723)	58	532 75 06-34	Screw
25	532 15 04-06	Hex Head Thread Rolling Screw 3/8-16 x 1-1/8	59	532 18 55-82	Discharge Deflector
26	532 14 52-12	Hex Flange Nut	60	532 17 57-35	Hinge Bracket
27	532 41 08-15	Wheel & Tire Assembly, Rear	61	532 19 30-00	Spring
28	532 40 16-38	Shoulder Bolt 5/16-18 x .33	62	532 17 56-50	Hinge Rod
29	<b>532 41 11-90</b>	Trim Panel	63	873 80 04-00	Nut, Hex
30	532 41 31-41	Axle Arm Assembly	64	532 18 55-76	Mulcher Door
31	532 19 06-22	Selector Knob	65	532 19 74-80	O-Ring
32	532 40 98-89	Selector Spring	66	532 08 83-48	Washer, Flat 1/2
33	873 80 05-00	Nut, Hex 5/16-18	69	532 18 27-48	Grip, Foam
34	532 40 16-30	Washer, Curved, Cylindrical	96	532 19 79-91	Clip, Cable
35	532 14 18-41	Screw	97	532 19 85-41	Nut, Hex, Flangelock
36	532 18 41-93	Bolt	- -	532 40 47-64	Decal, Warning (not shown)

**NOTE:** All component dimensions given in U.S. inches. 1 inch = 25.4 mm

**IMPORTANT:** Use only Original Equipment Manufacturer (O.E.M.) replacement parts. Failure to do so could be hazardous, damage your lawn mower and void your warranty.

# ROTARY LAWN MOWER - - MODEL NUMBER 65021ES (96143002002) - PRODUCT NUMBER 961 43 00-20



# ROTARY LAWN MOWER - - MODEL NUMBER **65021ES** (96143002002) - PRODUCT NUMBER 961 43 00-20

KEY NO.	PART NO.	DESCRIPTION
1	532 40 73-16	Drive Control Assembly (Includes Cable)
2	<b>532 41 35-42</b>	Cover, Drive Control, Upper
3	532 40 62-82	Pulley
4	<b>532 18 82-81</b>	Lever, Drive Control
5	<b>532 41 35-41</b>	Cover, Drive Control, Lower
6	532 18 16-98	Screw
7	532 40 07-23	Bracket, Drive
9	532 40 62-59	Cable Assembly, Drive
10	532 18 93-78	Decal, Drive
11	532 41 10-81	Wheel & Tire Assembly
12	812 00 00-58	E-Ring
13	532 40 38-49	Pinion
14	532 18 94-03	Dust Cover
15	532 40 48-45	Pawl, Drive
16	532 06 77-25	Washer 1/2 x 1-1/2 x .134
17	532 19 10-39	Bearing, Wheel Adjuster
18	532 19 64-01	Selector Knob
25	532 41 16-63	Belt Keeper
26	532 16 34-09	Screw, Hi-Lo Thread
27	532 17 52-62	Pan Head Tapping Screw #10-24 x 2-3/4
28	532 18 57-15	Drive Cover
29	532 19 41-49	V-Belt
32	532 19 40-18	Drive Pulley
33	532 08 39-23	Locknut, Hex

KEY NO.	PART NO.	DESCRIPTION
35	532 40 88-62	Kit, Wheel Adjuster, LH (Includes Knob and Bearing)
36	532 40 48-33	Gearcase Assembly, Complete
38	873 80 04-00	Locknut, Hex 1/4-20
40	532 40 65-58	Spring
41	532 40 88-61	Kit, Wheel Adjuster, RH (Includes Knob and Bearing)
54	532 40 11-90	Grassbag Assembly
57	532 40 18-02	Frame, Grassbag
60	532 19 35-57	Decal, Drive Cover
61	532 41 07-26	Case, Upper
62	532 41 09-49	Shaft, Output
63	532 18 35-08	Seal, Output Shaft
64	532 18 35-11	Bushing
65	532 18 35-09	Washer
66	532 18 35-14	Seal, Worm Shaft
67	532 18 35-06	Bearing, Ball
68	532 41 07-29	Gear, 28 Teeth
69	532 41 07-32	Fixed Dog Clutch
70	532 41 07-33	Pin
71	532 41 07-30	Movable Dog Clutch
73	532 18 35-13	Screw, Case
74	532 41 07-34	Case, Lower
78	532 41 07-31	Spring, Leaf
79	532 41 07-27	Shaft, Worm

**NOTE:** All component dimensions given in U.S. inches. 1 inch = 25.4 mm

**IMPORTANT:** Use only Original Equipment Manufacturer (O.E.M.) replacement parts. Failure to do so could be hazardous, damage your lawn mower and void your warranty.