



SERVICE PARTS LIST

SPECIFY CATALOG NO. AND SERIAL NO. WHEN ORDERING PARTS		REVISED BULLETIN	DATE
10" MAGNUM COMPOUND MITER SAW			July '99
CATALOG NO. 6494	STARTING SERIAL NO. 840A	WIRING INSTRUCTION 58-01-1350	

EXAMPLE:
 Component Parts (Small #) Are Included
 When Ordering The Assembly (Large #).

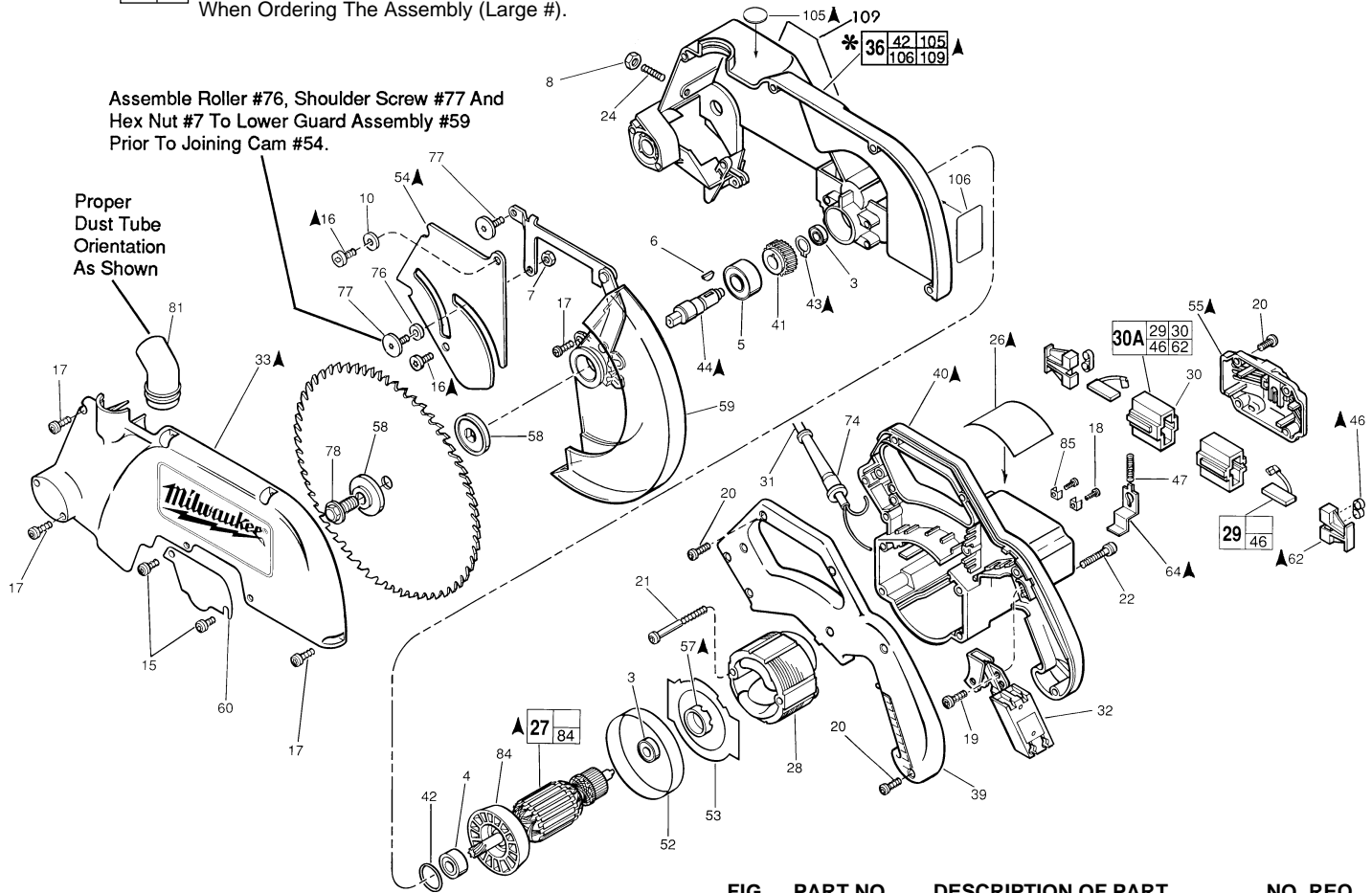
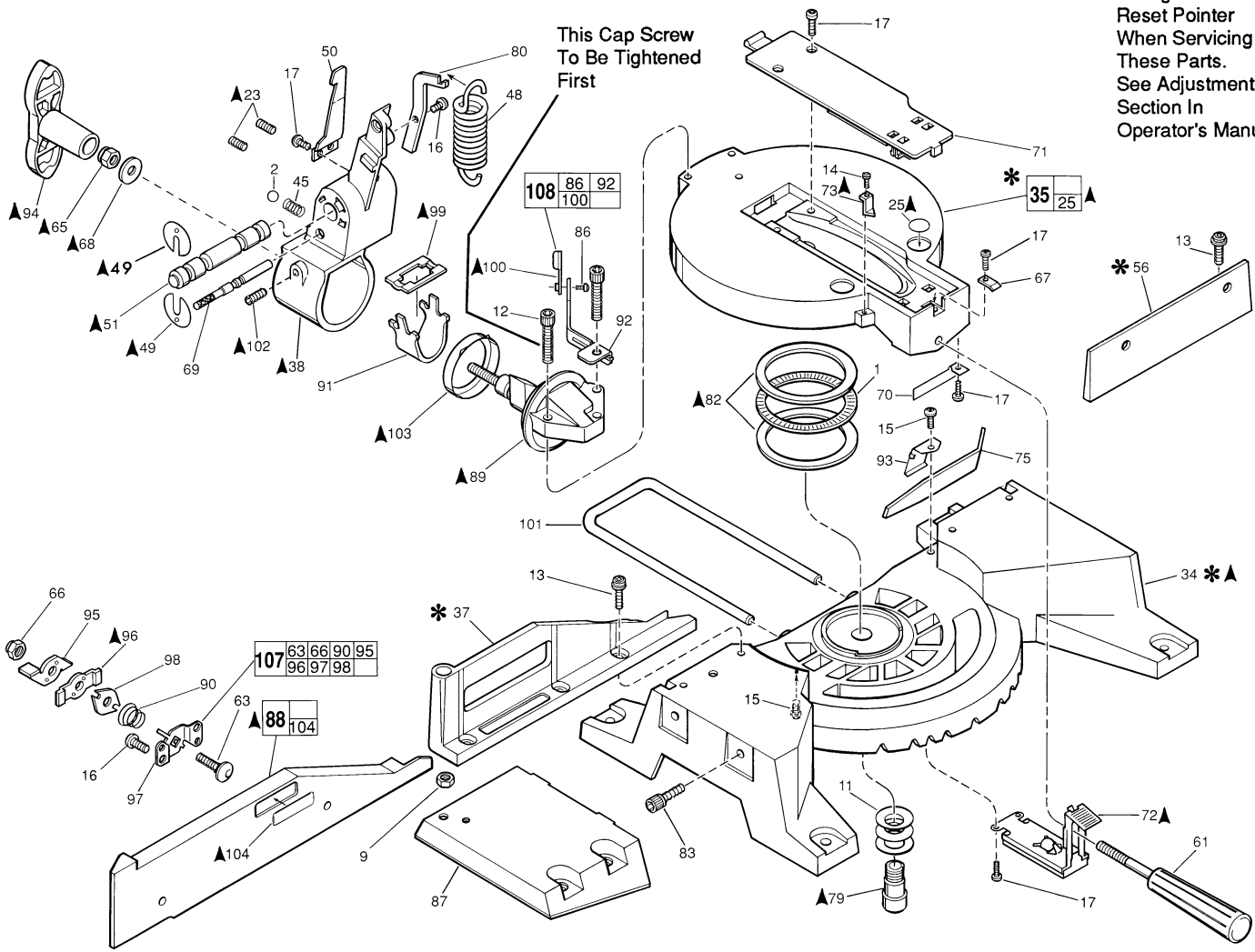


FIG.	PART NO.	DESCRIPTION OF PART	NO. REQ.
3	02-04-0845	Ball Bearing	(2)
4	02-04-1229	Ball Bearing	(1)
5	02-04-2040	Ball Bearing	(1)
6	06-42-2400	Woodruff Key	(1)
7	06-55-1525	1/4"-20 Hex Nut	(1)
8	06-55-1985	5/16"-18 Hex Nut	(1)
10	45-88-0660	Washer	(1)
15	06-82-5314	10-24 x 1/2" Pan Hd. Slit. Tapt. T-25	(2)
16	06-82-5338	1/4-20 x 1/2" Pan Hd. Slit. Tapt. T-30	(2)
17	06-82-5411	10-24 x 5/8" Pan Hd. Slit. Tapt. T-25	(10)
18	06-82-7212	4-20 x 1/4" Pan Hd. Plastite T-10	(2)
19	06-82-7226	6-19 x 5/16" Pan Hd. Slit. Plast. T-15	(1)
20	06-82-7270	8-16 x 5/8" Pan Hd. Slit. Plast. T-20	(12)
21	06-82-7453	8-16 x 2-1/4" Pan Hd. Slit. Plast. T-20	(2)
22	06-82-9024	10-24 x 1-3/4" Pan Hd. Slit. Tapt. T-25	(4)
24	06-83-3200	5/16-18 x 1" Set Screw	(1)
26	12-20-0090	Service Nameplate Kit	(1)
27	16-70-0420	Armature	(1)
28	18-70-0420	Field	(1)
29	22-18-0387	Carbon Brush	(2)
30	22-20-0800	Brush Tube	(2)
30A	22-20-0802	Brush Tube Assembly	(2)
31	22-64-3210	Cord Set	(1)
32	23-66-2037	Switch Assembly	(1)
33	25-20-1319	Upper Guard Cover	(1)
36	28-14-2216	Upper Guard Gear Case	(1)
39	31-44-1725	Handle Half	(1)

FIG.	PART NO.	DESCRIPTION OF PART	NO. REQ.
40	31-50-1010	Motor Housing	(1)
41	32-75-3350	Gear	(1)
42	34-40-1375	1-1/4" O-Ring	(1)
43	34-60-2560	Retaining Ring	(1)
44	38-50-5840	Spindle	(1)
46	40-50-8160	Coil Spring	(2)
47	40-50-8170	Locking Spring	(1)
52	42-14-0350	Baffle	(1)
53	42-14-0355	Baffle	(1)
54	42-50-0270	Cam	(1)
55	42-92-0890	End Cover	(1)
57	42-96-0130	Bearing Cup	(1)
58	43-34-0720	Blade Flange	(2)
59	43-54-0695	Lower Guard Assembly	(1)
60	43-54-0700	Blade Screw Guard	(1)
62	43-72-0180	Spring Holder	(2)
64	44-10-0310	Locking Lever	(1)
74	44-76-0210	Cord Protector	(1)
76	44-96-0130	Roller	(1)
77	45-04-0850	Shoulder Screw	(2)
78	45-04-0860	Blade Screw	(1)
81	45-76-0330	Dust Tube	(1)
84	22-84-0850	Fan	(1)
85	23-74-1150	Terminal	(2)
105	10-20-1210	Warning Label	(1)
106	10-15-9450	Warning Label	(1)
109	10-15-9495	Bi-Lingual Warning Label	(1)

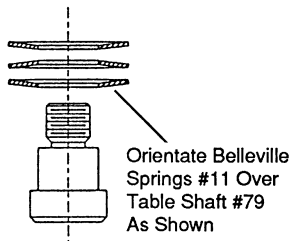
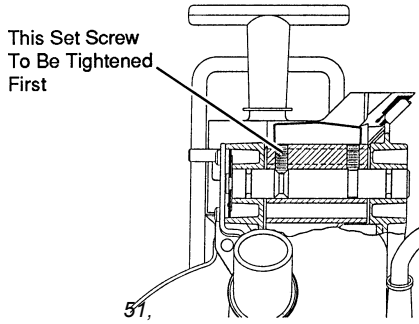
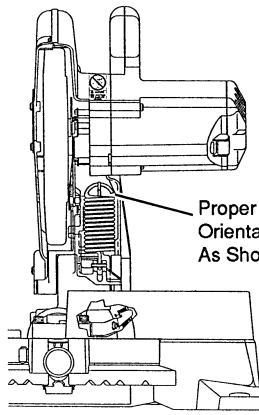


* Realign Fence /
Reset Pointer
When Servicing
These Parts.
See Adjustment
Section In
Operator's Manual.

This Cap Screw
To Be Tightened
First

FIG.	PART NO.	DESCRIPTION OF PART	NO. REQ.
1	02-80-0130	Needle Thrust Bearing	(1)
2	02-02-2040	7/16" Steel Ball	(1)
9	06-55-2710	7/16"-14 Hex Nut	(1)
11	40-50-8620	Belleville Spring	(3)
12	06-81-3174	5/16-18 x 1-1/2" Socket Hd. Tapt. Sems	(3)
13	45-04-0910	5/16-18 x 7/8" Pan Hd. Tapt. T-30	(5)
14	06-82-5270	6-32 x 1/4" Pan Hd. Slit. Tapt. T-15	(1)
15	06-82-5314	10-24 x 1/2" Pan Hd. Slit. Tapt. T-25	(2)
16	06-82-5338	1/4-20 x 1/2" Pan Hd. Slit. Tapt. T-30	(3)
17	06-82-5411	10-24 x 5/8" Pan Hd. Slit. Tapt. T-25	(8)
23	06-83-3150	5/16-18 x 1/2" Hex Socket	(2)
25	10-15-9460	Warning Label	(2)
34	28-06-1070	Base	(1)
35	28-06-1045	Table Assembly	(1)
37	28-35-0020	Left Fence	(1)
38	28-90-0250	Pivot Support	(1)
45	40-50-8040	Spring	(1)
48	40-50-8180	Spring	(1)
49	40-50-8190	Retaining Spring	(2)
50	40-50-8700	Leaf Spring	(1)
51	42-12-0160	Axle	(1)
56	28-35-0030	Right Fence	(1)
61	43-62-1050	Locking Handle	(1)
63	06-10-1153	5/16-18 x 1-1/4" Carriage Bolt	(1)
★ 65	06-57-4550	3/8-16 Locknut	(1)
66	06-57-5045	5/16-18 Locknut	(1)
67	44-20-0260	Detent Lock	(1)
68	45-88-1040	Washer	(1)
69	44-60-1411	Lock Pin	(1)

FIG.	PART NO.	DESCRIPTION OF PART	NO. REQ.
70	44-66-5920	Locking Plate	(1)
71	44-66-6090	Kerf Plate	(1)
72	44-66-5945	Detent Lever Assembly	(1)
73	44-72-0010	Pointer	(1)
75	49-96-6200	Box Wrench	(1)
79	45-08-0330	Table Shaft	(1)
80	45-60-0530	Spring Support	(1)
82	45-88-8540	Washer	(2)
83	06-81-3172	5/16-18 x 1" Socket Hd. Tapt. Sems	(2)
86	06-82-8844	8-32 x 3/8" Pan Hd. Mach. T-20	(1)
87	28-06-1060	Base Extension	(1)
88	28-35-0045	Adjustable Fence Assembly	(1)
89	28-90-0265	Bevel Support Assembly	(1)
90	40-50-8610	Conical Spring	(1)
91	40-50-8630	Spring	(1)
92	42-20-0690	Pointer Base	(1)
93	42-70-5140	Blade Wrench Clip	(1)
94	43-62-1090	Handle	(1)
95	44-10-0330	Lever	(1)
96	44-66-6060	Clamp Plate	(1)
97	44-66-6070	Mounting Plate	(1)
98	44-66-6080	Detent Plate	(1)
99	44-66-6100	Keeper Plate	(1)
100	44-72-0020	Pointer (Bevel Scale)	(1)
101	44-94-0350	Guide Rod	(1)
102	45-04-0900	5/16-18 x 3/4" Hex Socket	(2)
103	45-88-8545	Beveled Thrust Washer	(1)
104	10-15-9480	Warning Label	(1)
107	14-46-2060	Clamp Mechanism Kit	(1)
108	44-72-0025	Pointer Assembly	(1)



- FIG. NOTE ▲**
- 79 APPLY RED LOCKING SEALANT TO TWO THREADS OF FIG. 79, (TABLE SHAFT), PRIOR TO ASSEMBLY. TORQUE TO 360 IN./LBS.
 - 82 APPLY THIN FILM OF TYPE "L" GREASE, NO. 49-08-4170, TO BOTH SIDES OF FIG. 82, (WASHERS).
 - 34,79 APPLY (.12 OZ.) OF TYPE "L" GREASE, NO. 49-08-4170, UNDER THE HEAD OF FIG. 79, (TABLE SHAFT), ALSO APPLY A THIN FILM OF "L" GREASE TO THE O.D. OF THE TABLE SHAFT AND TO THE I.D. OF THE CENTER BORE OF FIG. 34, (BASE), PRIOR TO ASSEMBLY.
 - 36,51 APPLY (.06 OZ.) OF TYPE "L" GREASE, NO. 49-08-4170, TO THE (2) .125 WIDE GROOVES OF FIG. 51, (AXLE), ALSO APPLY A THIN FILM OF "L" GREASE TO THE O.D. OF FIG. 51, (AXLE - NOT BETWEEN THE (2) LOCATING GROOVES) AND TO THE I.D. OF THE (2) PIVOTING HUBS OF FIG. 36, (UPPER-GUARD/GEARCASE), PRIOR TO ASSEMBLY.
 - 23,33 **WARNING-** ONLY TIGHTEN FIG. 23, (5/16 SET SCREW), AFTER ASSEMBLY OF FIG. 33, (UPPER-GUARD COVER).
 - 16,54 WHEN ASSEMBLING FIG. 54, (CAM) WITH FIG. 16, (SCREWS), LIGHTLY INSERT LOWER SCREW FIRST AND THEN PIVOT CAM COUNTERCLOCKWISE ABOUT LOWER SCREW UNTIL IT BOTTOMS OUT ON THE RIB OF THE GEARCASE, THEN INSERT UPPER SCREW AND TIGHTEN BOTH UPPER AND LOWER SCREWS ACCORDING TO TORQUE REQUIREMENTS.
 - 33,51 APPLY A DAB OF TYPE "L" GREASE, NO. 49-08-4170, TO THE COVER END OF FIG. 51, (AXLE), PRIOR TO ASSEMBLY OF FIG. 33, (UPPER-GUARD COVER).
 - 43 ASSEMBLE FIG. 43, (RETAINING RING), WITH THE CONCAVE BOW OF THE RING TOWARD THE GEAR.
 - 36 PLACE (.50 OZ.) OF TYPE "R" GREASE, NO. 49-08-0200, IN THE PINION POCKET OF FIG. 36, (UPPER-GUARD/GEARCASE).
 - 27,40,57 PLACE FIG. 57, (BEARING CUP), INTO FIG. 40, (MOTOR HOUSING), PRIOR TO ASSEMBLING ONTO FIG. 27, (ARMATURE).
- CHECK OPERATION OF LOWER GUARD MECHANISM:
- A. TO VERIFY THAT LOWER GUARD FREELY RETRACTS AND RETURNS TO THE START POSITION, ACTUATE SAW AS IF MAKING CUT.
 - B. TO VERIFY THAT THE LEAF SPRING IS FUNCTIONING PROPERLY, RETRACT LOWER GUARD BY HAND WITH SAW HEAD UP, WHEN RELEASED THE GUARD SHOULD RETURN TO IT'S START POSITION.
 - C. TO VERIFY SAW HEAD / LOWER GUARD INTERLOCK, HOLD LOWER GUARD IN RETRACTED POSITION AND TRY TO LOWER THE SAW HEAD.

FIG. NOTES: ▲

CHECK CUTTING MOTION FOR SMOOTH OPERATION OF ALL MOVING PARTS.

CHECK ROTATING TABLE FOR SMOOTH OPERATION THRU A RANGE OF 50° LEFT TO 58° RIGHT.

34,72 CHECK OPERATION OF FIG. 72, (DETENT LEVER), FOR POSITIVE LOCKING AND DETENT OVERRIDE FOR CLEARANCE BETWEEN FIG. 34, (BASE) AND THE TOP OF THE STEEL BALL.

73 CHECK TO SEE THAT FIG. 73, (POINTER), IS LINED UP WITH THE DESIGNATED DETENT MARKINGS (45, 30, 22-1/2, 15, 0, IN BOTH DIRECTIONS).

FIG. **NOTES: ▲**

44,64 CHECK FIG. 64, (LOCKING LEVER), FOR SMOOTH OPERATION AND EASY ENGAGEMENT OF FIG. 44, (SPINDLE).

25,35 ATTACH FIG. 25, (WARNING LABEL), BY LINING UP THE LINE AT 45° WITH THE RAISED MARK ON THE BEVELED EDGE OF THE RECESSES IN FIG. 35, (TABLE).

105 ATTACH FIG. 105, (WARNING LABEL - "RAIN" DECAL), AS SHOWN.

26,40 ATTACH FIG. 26, (NAMEPLATE) TO FIG. 40, (MOTOR HOUSING) AS SHOWN.

46,62 FIG. 46, (COIL SPRING), MUST BE ORIENTED IN FIG. 62, (SPRING HOLDER), SUCH THAT THE SADDLE OF THE SPRING IS FACING THE OPEN END OF FIG. 62, (SPRING HOLDER).

30,62 FIG. 62, (SPRING HOLDER), MUST BE ORIENTED IN FIG. 30, (BRUSH TUBE), SUCH THAT THE OPEN END OF THE SPRING CAVITY IS FACING THE SHUNT SLOT IN FIG. 30, (BRUSH TUBE).

49 FIG. 49, (RETAINING SPRING), RELATIVE ORIENTATION TO BE 180° APART - DIMPLES TO ENGAGE SLOTS.

55 BRUSH SHUNT TO BE POSITIONED AS SHOWN, SO AS NOT TO INTERFERE WITH FIG. 55, (END COVER), DURING ASSEMBLY.

102 APPLY BLUE LOCKING SEALANT TO TWO THREADS OF FIG. 102, (SET SCREWS), PRIOR TO ASSEMBLY.

103 APPLY FILM OF TYPE "L" GREASE, NO. 49-08-4170, TO BOTH SIDES OF FIG. 103, (BEVELED THRUST WASHER), PRIOR TO ASSEMBLY.

68,89 APPLY THIN FILM OF TYPE "L" GREASE, NO. 49-08-4170, TO BOTH SIDES OF FIG. 68, (WASHER), AND TO THREADS ON FIG. 89, (BEVEL SUPPORT).

65,68 WHEN ASSEMBLING FIG. 65, (LOCKNUT), FACE OF FIG. 68, (WASHER) SHOULD BE DEFLECTED AND FIG. 65, (LOCKNUT) MUST BE POSITIONED A MAXIMUM OF ONE HALF TURN FROM THE FULLY LOCKED POSITION.

38,100,102 AFTER ADJUSTING FIG. 102, (SET SCREWS), CHECK TO SEE THAT FIG. 100, (POINTER) IS LINED UP WITH 0° AND 45° MARKINGS ON FIG. 38, (PIVOT SUPPORT).

88,104 FIG. 104, (WARNING LABEL), TO BE APPLIED TO FIG. 88, (ADJUSTABLE FENCE), SO THAT LABEL CAN BE READ FROM ORIENTATION OF ADJUSTABLE FENCE.

94 HALF FILL POCKET OF FIG. 94, (HANDLE), WITH TYPE "L" GREASE, NO. 49-08-4170, PRIOR TO ASSEMBLY OF HANDLE ONTO TOOL.

96 APPLY THIN FILM OF TYPE "L" GREASE, NO. 49-08-4170, TO BOTH SIDES OF FIG. 96, (CLAMP PLATE), PRIOR TO ASSEMBLY.

38,89,99 APPLY (.25 OZ.) OF TYPE "L" GREASE, NO. 49-08-4170, TO FIG. 99, (KEEPER PLATE), AND ANGLED SURFACES OF FIG. 89, (BEVEL SUPPORT). REMAINING GREASE TO BE PLACED AT THE BOTTOM OF THE CAVITY INSIDE FIG. 38, (PIVOT SUPPORT).