



SERVICE PARTS LIST

BULLETIN NO.
54-40-0182

SPECIFY CATALOG NO. AND SERIAL NO. WHEN ORDERING PARTS		REVISED BULLETIN 54-40-0181	DATE Feb. 2013
O.E.M. SAW MOTOR			
CATALOG NO.	6465	STARTING SERIAL NUMBER	772B
		WIRING INSTRUCTION 58-01-0751	

EXAMPLE:
00 0 Component Parts (Small #) Are Included When Ordering The Assembly (Large #).

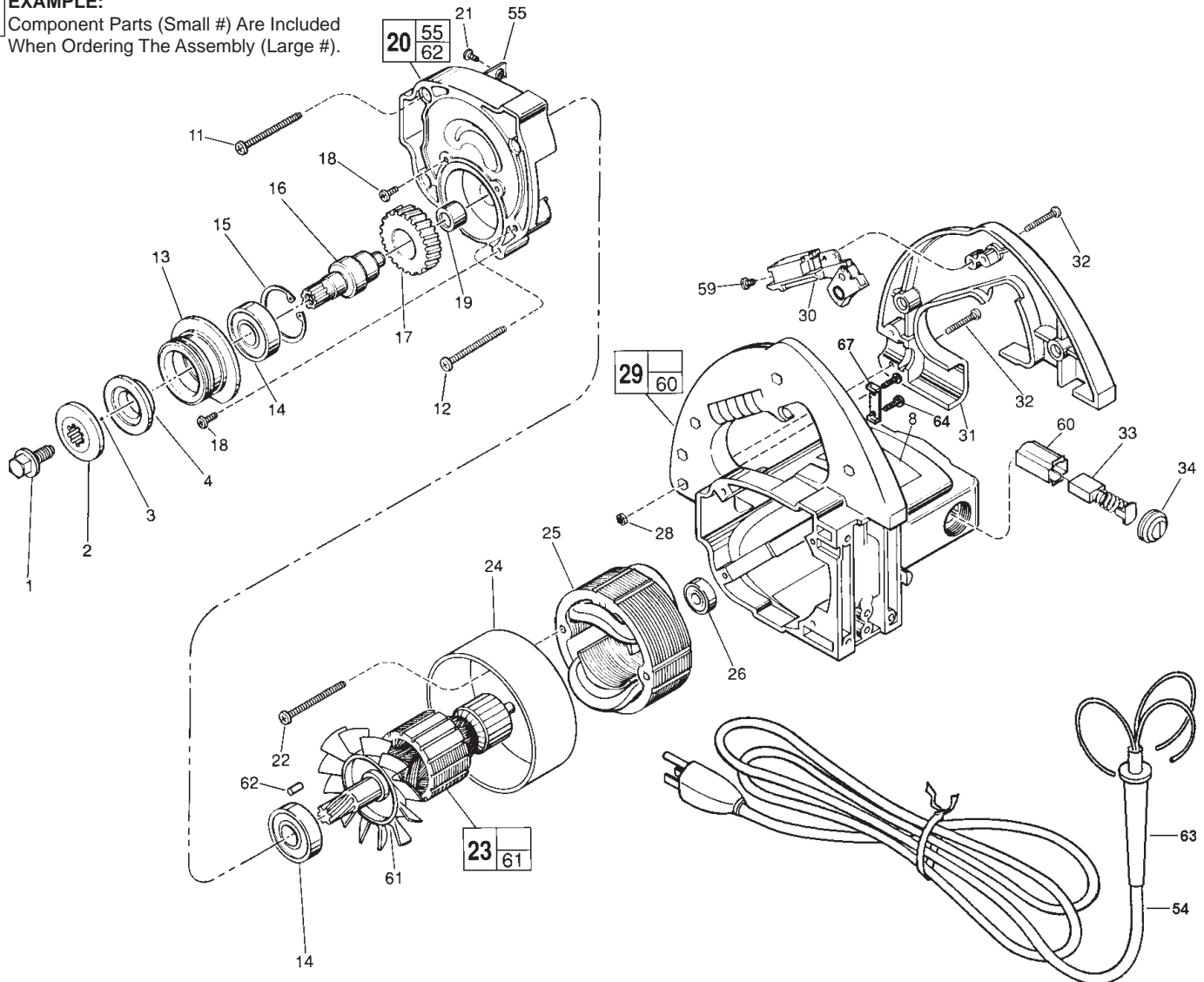


FIG.	PART NO.	DESCRIPTION OF PART	QTY
★ 1	06-75-0030	Blade Screw	(1)
2	45-88-0286	Spindle Blade Retaining Washer	(1)
3	-----	Blade	(1)
4	43-34-0540	Spindle Flange	(1)
8	12-20-0150	Nameplate Kit	(1)
★ 11	06-82-7326	8-16 x 1 Pan Hd. Plastite T-20	(3)
12	06-82-7382	8-16 x 1-5/8 Pan Hd. Plastite T-20	(1)
13	43-78-0250	Lower Guard Hub	(1)
14	02-04-1748	Ball Bearing	(2)
15	34-80-2960	Retaining Ring - Internal	(1)
★ 16	38-50-1080	Spindle	(1)
★ 17	32-75-3205	Gear	(1)
18	06-82-7252	8-32 x 3/8 Pan Hd. Slit. Taptite T-20	(4)
19	02-50-2423	Needle Bearing	(1)
20	14-30-0290	Gear Case Assembly	(1)
21	06-81-8820	Ground Screw	(1)
22	06-82-7453	8-16 x 2-1/4 Pan Hd. Plastite T-20	(2)
23	16-70-0131	120 Volt Armature	(1)
24	23-16-0691	Field Insulating Sleeve	(1)
25	18-70-0095	120 Volt Field	(1)
26	02-04-0850	Ball Bearing	(1)
28	06-55-0835	8-32 Hex Nut	(5)
29	31-50-0153	Motor Housing Assembly	(1)

FIG.	PART NO.	DESCRIPTION OF PART	QTY
30	-----	Switch (See Page Two)	(1)
31	31-44-0481	L. H. Handle	(1)
32	06-82-2362	8-32 x 1 Pan Hd. Slit. T-20	(5)
33	22-18-0147	Carbon Brush Assembly	(2)
34	23-44-0160	Brush Retaining Screw	(2)
★ 54	22-64-0015	Cord Set	(1)
55	42-36-1120	Ground Screw Bracket	(1)
59	05-78-0305	Switch Screw	(4)
60	22-20-0350	Brush Insert	(2)
61	22-84-0655	Fan Assembly	(1)
62	45-30-0110	Ball Bearing Retaining Slug	(1)
★ 63	44-76-0050	Cord Protector	(1)
★ 64	06-81-5850	6-32 x 5/8 Pan Hd. Slit. Screw	(2)
★ 67	42-68-0210	Cord Clamp	(1)
★ --	06-38-0020	Threaded Insert (not shown)	(2)
--	49-96-6200	9/16 Wrench	(1)

FIG. LUBRICATION
20 1/2 oz. Type "O" Grease, No. 49-08-4200.

FOR 6465-2 240V CIRCLE SAW:
16-76-0130 Armature
18-76-0090 Field
★ 22-64-6505 Cord Set

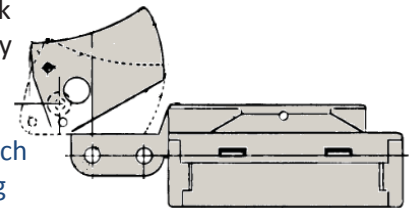


AFTER-SALES SERVICE TECHNICAL SUPPORT

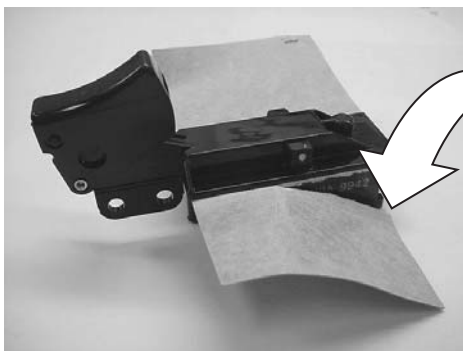
23-66-1800, 23-66-2090 ON-OFF 'PANEL SAW MOTOR' SWITCH REPLACEMENT OPTIONS

23-66-1800, 23-66-2090 Panel Saw Motor ON-OFF Switch for 6410, 6411, 6465 & 6466 Panel Saw Motor is obsolete - no longer available; it can be replaced by one of two options...

Option 1 - 23-66-1810 ON-OFF Switch minus four (4) switch screws and/or 23-66-1815 ON-OFF Switch (including four [4] M3.5 X 0.6mm Metric switch screws) without 'lock-on' button and without Padlock - Lock-Out hole (switch lock-out feature) are identical to the 23-66-1800 or 23-66-2090 in rated amp capacity and wiring - note, these switches do not have a lock-on button feature; it will work in the Panel Saw Motor being serviced without any modification necessary expect for plugging the hole where the 'lock-on button was - it is recommended that the existing hole in switch handle cover be plugged with RTV Silicone Sealant to prevent sawdust from entering handle switch cavity - sealant should be allow to cure overnight before replacing handle cover. Note: 23-66-2090 switch screws are a M3.5 X 0.6mm Metric Screw.



Option 2 - 23-66-0250 ON-OFF Switch (including four [4] 5-40 x 1/4" US SAE switch screws) with 'lock-on' button and without Padlock - Lock-Out hole (switch lock-out feature) is identical to the 23-66-1800 or 23-66-2090 in rated amp capacity and wiring however, use of this switch requires trimming off the (grey) paper from the switch body - directly at the switch body, a minor modification, see photo. Note: original Metric screws from 23-66-2090 should not be used in 23-66-0250 Switch; use only the four [4] 5-40 x 1/4" US SAE switch screws supplied with the 23-66-0250 Switch.



trim/cut off switch insulator
from both side of switch body