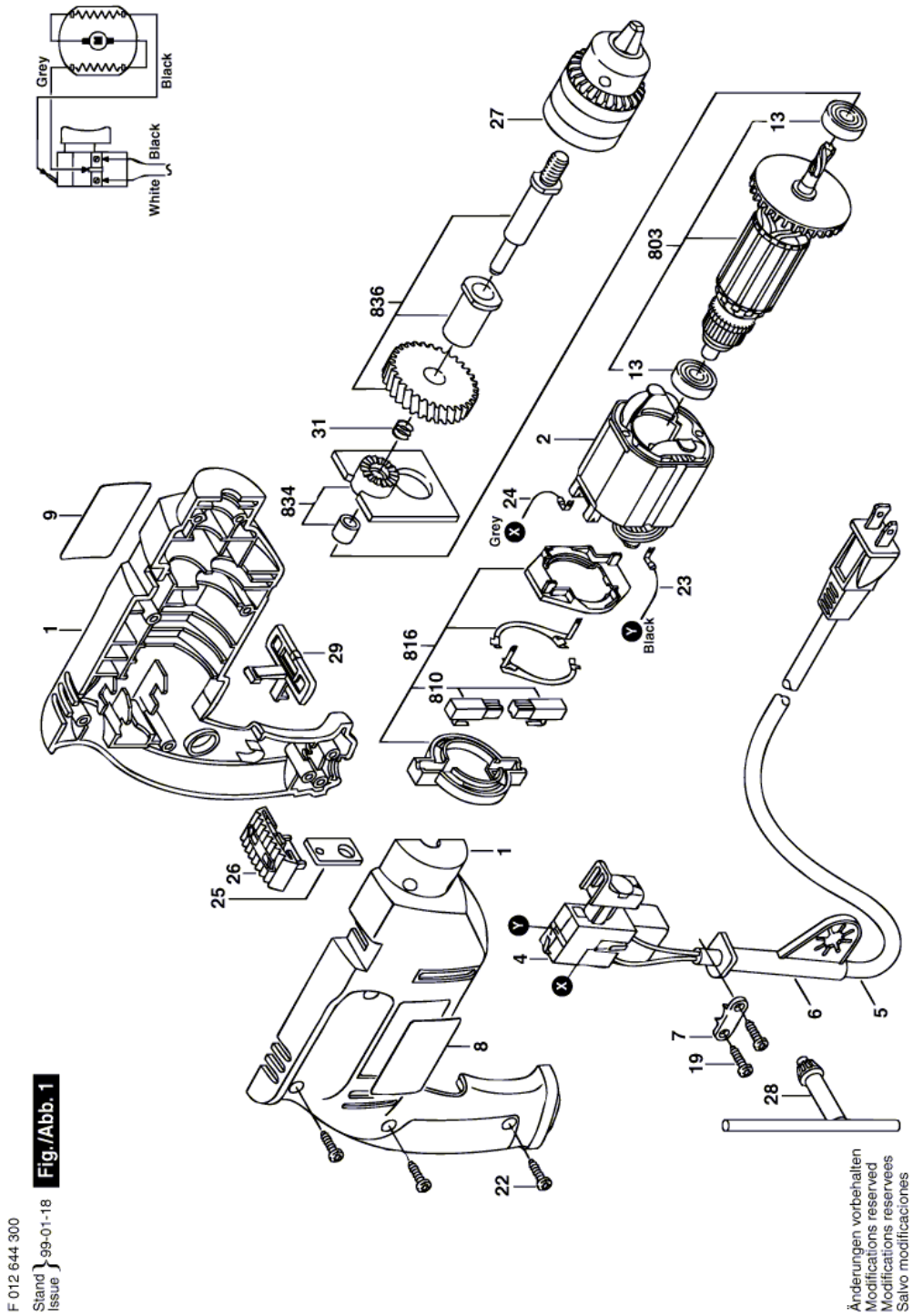


Percussion Drill - F 012 644 300 - 6443 TYPE 1

Item	Part Number	Description	Illustration	Price	Quantity	Price Group
1	2 610 389 703	Housing Set	1	-,-	1	26
2	2 610 376 947	Field 120V	1	-,-	1	28
4	2 610 387 295	Switch	1	-,-	1	33
5	2 610 387 347	Power supply cord	1	-,-	1	22
6	2 600 707 060	Grommet Ø11,6-Ø12,5x84 MM	1	-,-	1	13
7	2 610 064 973	Cable Grip	1	-,-	1	11
8	2 610 993 765	Warning Plate	1	-,-	1	15
9	2 610 993 764	Nameplate	1	-,-	1	15
13	2 600 905 052	Deep-Groove Ball Bearing 8x22x7	1	-,-	2	20
19	2 610 374 916	Torx Oval-Head Screw 8x16	1	-,-	2	11
22	2 610 374 919	Torx Oval-Head Screw T20-8x19 MM	1	-,-	9	10
23	2 610 386 631	Connecting Cable BLACK	1	-,-	1	11
24	2 610 386 632	Connecting Cable GRAY	1	-,-	1	11
25	2 610 386 608	Boring Plate	1	-,-	1	11
26	2 610 390 701	Change-Over Switch RED	1	-,-	1	14
27	1 608 571 069	Chuck Ø1,5-13 MM, 1/2"	1	-,-	1	32
28	2 610 063 333	Chuck Wrench	1	-,-	1	21
29	2 610 390 702	Change-Over Switch RED	1	-,-	1	13
31	2 610 386 630	Compression Spring	1	-,-	1	11
803	2 610 389 676	Armature 120V	1	-,-	1	32
810	2 610 389 675	Brush Plate	1	-,-	1	25
816	2 610 389 675	Brush Plate	1	-,-	1	25
834	2 610 388 840	Bearing Bracket	1	-,-	1	20
836	2 610 390 892	Drilling Spindle	1	-,-	1	29

Illustration - Type E



F 012 644 300
Stand } 99-01-18
Issue } **Fig./Abb. 1**

Information subject to change without further notice.