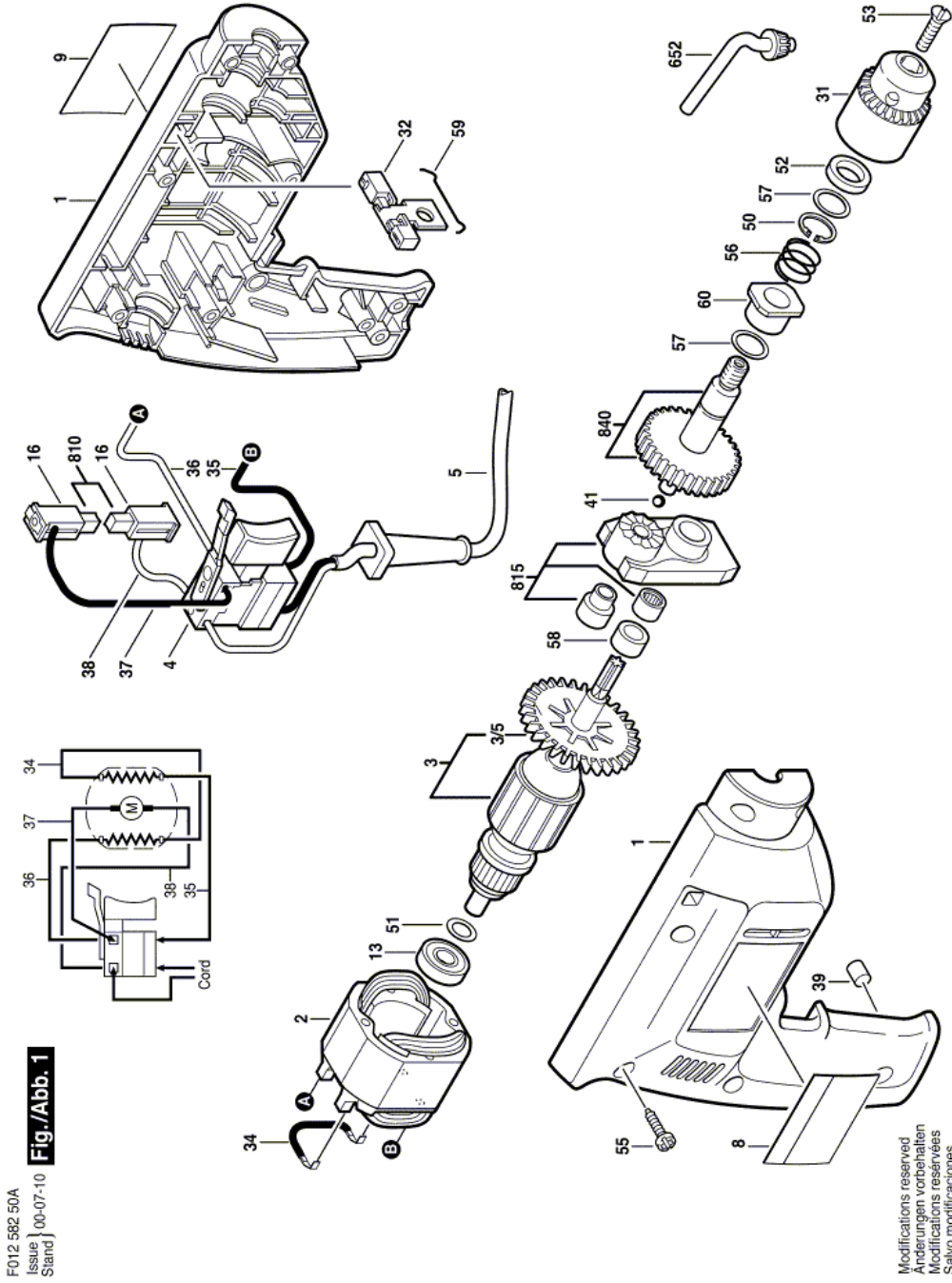


## Hammer Drill - F 012 642 50A - 6425 TYPE 2

Item	Part Number	Description	Illustration	Price	Quantity	Price Group
1	2 610 349 951	Housing Set	1	-,-	1	-
2	2 610 315 867	Pole Shoe 120V	1	-,-	1	-
3	2 610 350 379	Armature 120V	1	-,-	1	-
3/5	2 610 346 332	Fan	1	-,-	1	-
4	2 610 346 618	On-Off Switch	1	-,-	1	29
5	1 619 X00 506	Power supply cord	1	-,-	1	-
8	2 610 993 064	Nameplate	1	-,-	1	-
9	2 610 908 904	Nameplate	1	-,-	1	-
13	1 619 P01 511	Ball Bearing	1	-,-	1	19
16	2 610 320 548	Brush Holder	1	-,-	2	13
31	2 610 992 201	Chuck	1	-,-	1	29
32	2 610 347 301	Knob	1	-,-	1	19
34	2 610 038 609	Connecting Wire BLACK	1	-,-	1	11
35	2 610 038 677	Connecting Cable	1	-,-	1	11
36	2 610 038 923	Nameplate	1	-,-	1	-
37	2 610 039 904	Connecting Wire 130 MM BLACK	1	-,-	1	11
38	2 610 320 494	Connecting Wire 50 MM	1	-,-	1	11
39	2 610 028 780	Plug	1	-,-	1	11
41	2 610 002 144	Ball	1	-,-	1	11
50	2 610 009 294	Retaining snap ring	1	-,-	1	11
51	2 610 017 016	Washer	1	-,-	1	11
52	2 610 017 642	Washer	1	-,-	1	10
53	2 610 068 005	Screw	1	-,-	1	11
55	1 619 X00 504	Screw	1	-,-	7	10
56	2 610 347 350	Spring	1	-,-	1	11
57	2 610 347 358	Washer	1	-,-	2	11
58	2 610 348 065	Spacer	1	-,-	1	11
59	2 610 348 357	Spring	1	-,-	1	11
60	2 610 352 019	Flanged Bearing	1	-,-	1	11
652	2 610 315 835	Key	1	-,-	1	19
810	2 610 321 617	Carbon-Brush Set	1	-,-	1	24
815	2 610 352 875	Bearing Housing	1	-,-	1	24
840	2 610 352 876	Spindle 3/8"	1	-,-	1	26

Illustration - Type E



Information subject to change without further notice.