

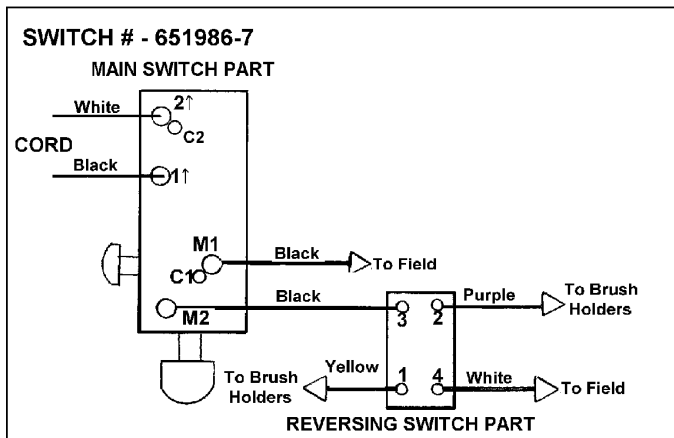
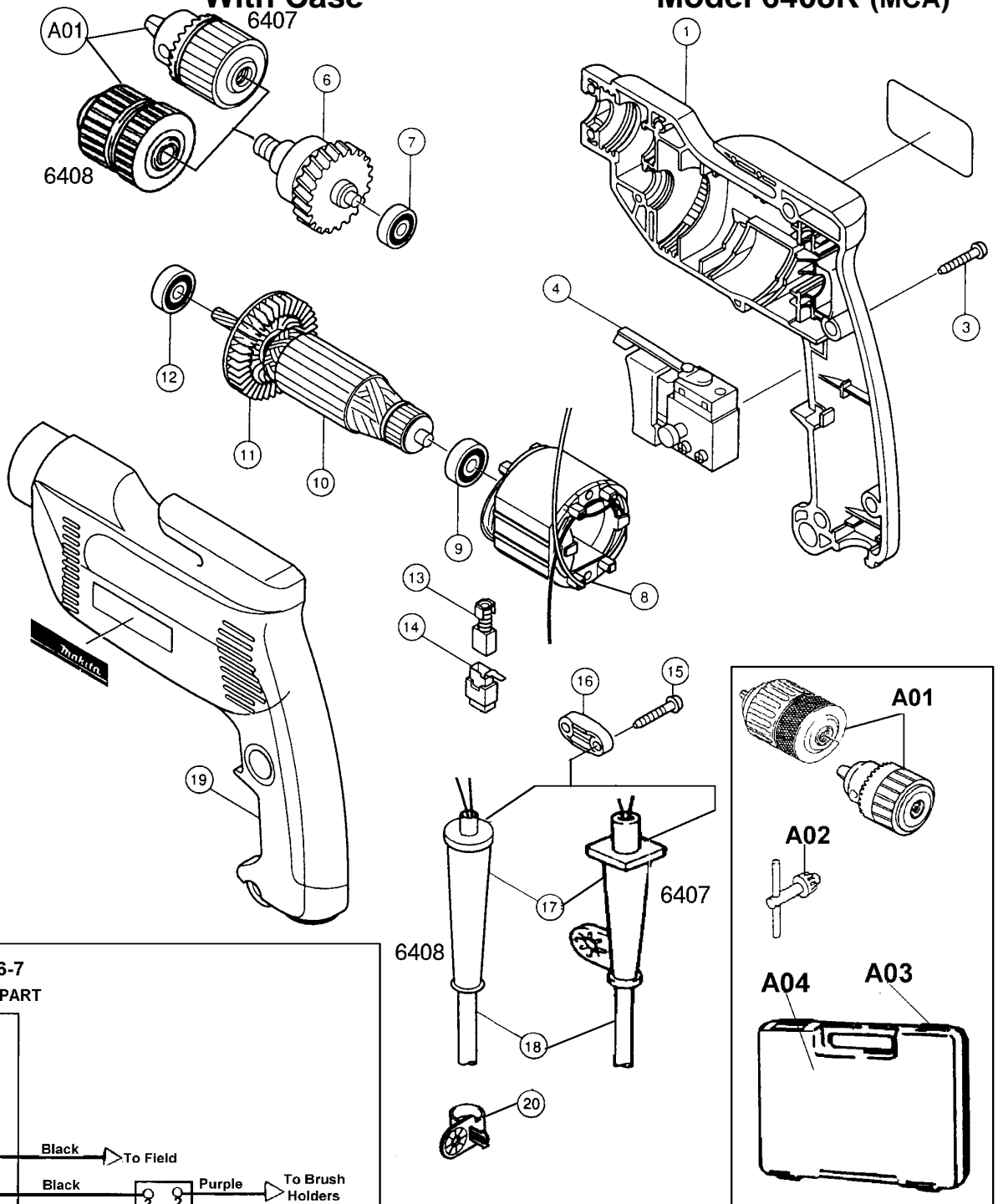


**3/8" DRILL V.S.
3/8" KEYLESS DRILL V.S.
3/8" KEYLESS DRILL V.S.**

**Model 6407 (MCA)
Model 6408 (MCA)**

With Case

Model 6408K (MCA)



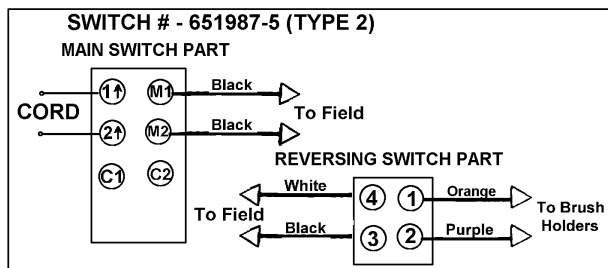
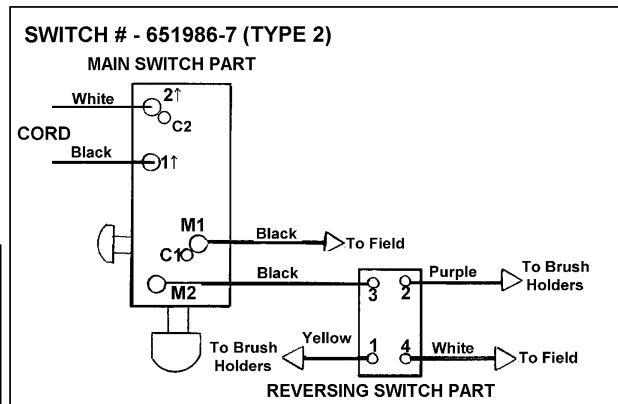
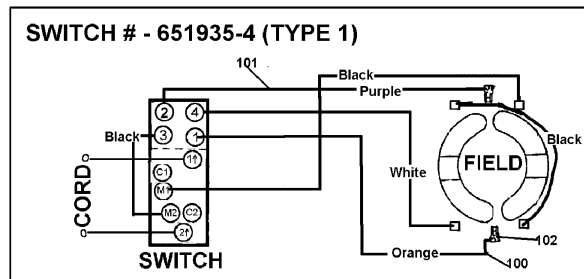
Item No.	Part No.	No. Used	Description	Item No.	Part No.	No. Used	Description
1	*	1	Housing (Set)	101	534024-9	1	Lead Assy (Purple) (Lead Wire & Item 102)
3	265995-6	8	Tapping Screw 4x18	102	654069-2	2	Receptacle
4	*	1	Switch	Accessories			
6	153246-8	1	Gear Com.	A01	763048-0C	1	3/8" Drill Chuck (6407) (Type 1)
7	211020-1	1	Ball Bearing 626Z		763136-3	1	3/8" Drill Chuck (6407) (Type 2)
8	633336-8	1	Field		192016-0A	1	3/8" Keyless Chuck (6408) (Type 1)(Jacobs # 31129 --> 32348)
9	211030-8	1	Ball Bearing 627Z		763154-1	1	3/8" Keyless Drill Chuck (6408) (Type 2)
10	517196-5	1	Armature Assy (Includes Items 9, 11 & 12)		763132-1	1	3/8" Keyless Drill Chuck - Bulk (6408) (Type 3)
11	241881-5	1	Fan 52	A02	763403-6C	1	Chuck Key (6407) (Types 1 & 2)
12	211030-8	1	Ball Bearing 627Z	A03	A00188-5	2	Snap Lock (L)
13	191927-6	2	Carbon Brush CB-407	A04	A00676-5	1	Plastic Carrying Case (Includes Item A03)
14	643936-6	2	Brush Holder (Old 643923-5)		824444-8	1	Plastic Carrying Case (Includes A05 & A06) (Optional)
15	265995-6	2	Tapping Screw 4x18	A05	A00182-5	2	Snap Lock (M)
16	687063-9	1	Strain Relief	A06	A00180-9	1	Plastic Handle (S)
17	682549-8	1	Cord Guard 8-85 (6407)				
	682502-4	1	Cord Guard 8-85 (6408)				
18	664013-1	1	Power Cord 2P-18-2.5M				
19	*	1	Housing (Set)				
20	411780-7	1	Key Holder 10 (Optional)				
100	534023-1	1	Lead Assy (Orange) (Lead Wire & Item 102)				

SERVICE CHANGES

* SEE SERVICE CHANGES

1. Change on Switch and Housing.

WIRING DIAGRAM



Item No.	Description	Type 1	Type 2	Type 3
1	Housing (R)		416149-0	182862-9 (Set)
19	Housing (L)		416150-5	
4	Switch	651935-4	651987-5	651986-7

Above parts are completely interchangeable as a set.

When replacing with Type 2 or 3 Switch, cut Rib on Type 1 Left Housing by 7.0 - 8.0mm.

- 2 Model 6407
- 2 Model 6408
- 2 Model 6408K

SERVICE CHANGES

1. Change on

Item No.	Description	Type 1	Type 2

Above parts are completely interchangeable as a set.

