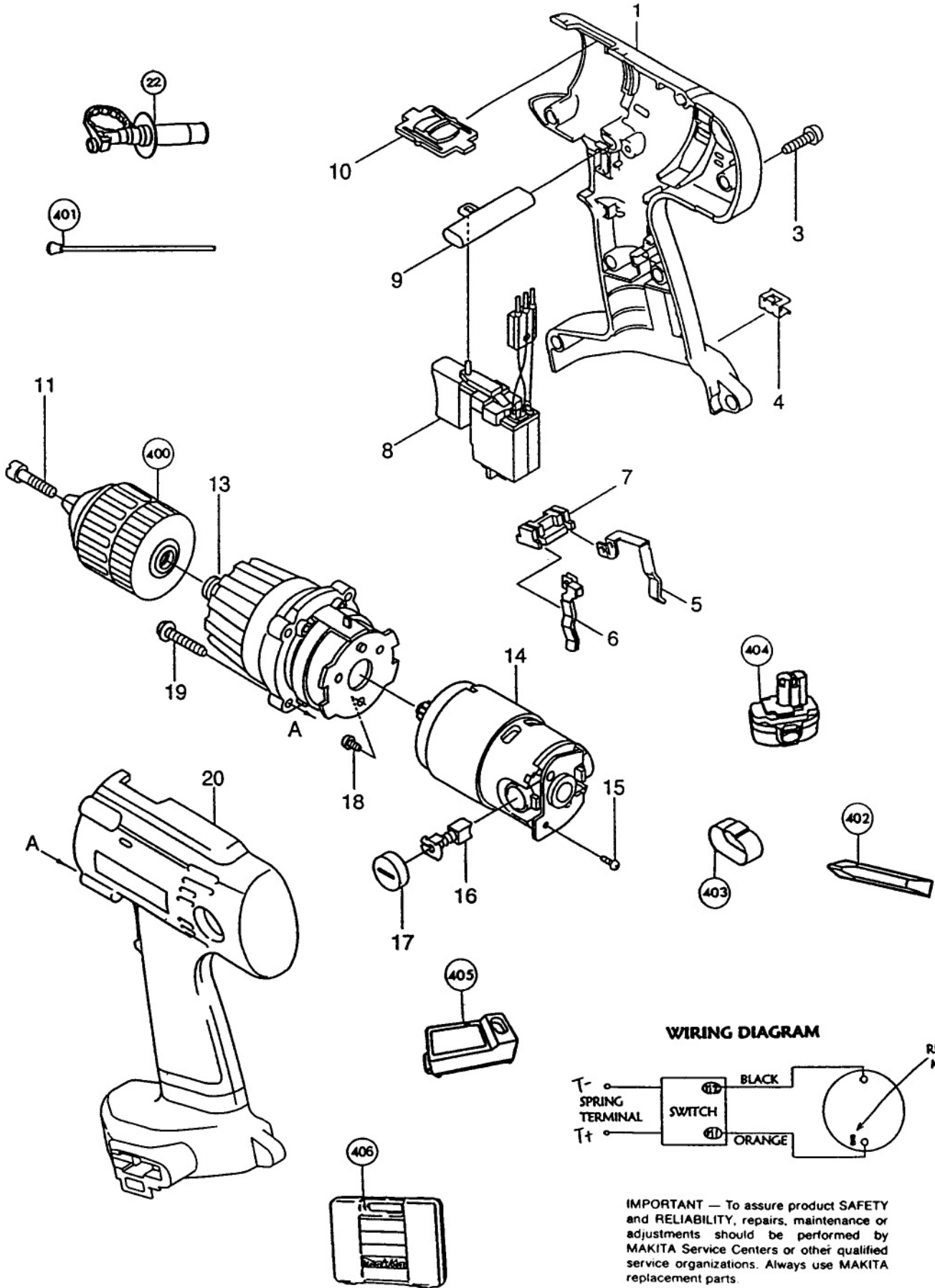


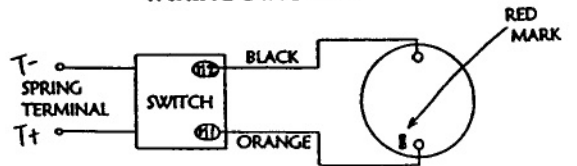


# 1/2" CORDLESS DRIVER DRILL

# MODEL 6343DWAE



### WIRING DIAGRAM



**IMPORTANT** — To assure product **SAFETY** and **RELIABILITY**, repairs, maintenance or adjustments should be performed by **MAKITA** Service Centers or other qualified service organizations. Always use **MAKITA** replacement parts.

Fig.	Part No.	Qty. Used	Description	Fig.	Part No.	Qty. Used	Description
1	183032-3	1	HOUSING Set (Incl. Fig. 20)	16	191971-3	1	CARBON BRUSH Set
3	266130-9	8	T. SCREW BIND PT 3x16	17	643929-3	2	HOLDER CAP
4	344391-2	2	BIT HOLDER	18	266134-1	3	T. SCREW ST 4x8
5	654168-0	1	SPRING TERMINAL (+)	19	265999-8	4	T. SCREW FLANGE 4x25
6	654169-8	1	SPRING TERMINAL (-)	20	183032-3	1	HOUSING Set (Incl. Fig. 1)
7	687085-9	1	HOLDER	22	122575-0	1	GRIP Ass'y
8	651968-9	1	SWITCH				
9	416079-5	1	F/R CHANGE LEVER	<b><u>ACCESSORIES</u></b>			
10	125091-1	1	SPEED CHANGE LEVER (Incl. 2 ea. 231433-0 Compression Spring 4)	400	763140-2	1	KEYLESS DRILL CHUCK 13
11	251465-1	1	F. H. SCREW M6x32	401	122576-8	1	STOPPER POLE
13	125088-0	1	GEAR HOUSING Ass'y	402	784614-0	1	PHILLIPS/SLOTTED BIT 2-45
14	629729-5	1	DC MOTOR (Incl. Fig.16, 17 & 226361-2 Spur Gear 20 )	403	414938-7	1	BATTERY COVER
15	911006-2	1	P.H. SCREW M3x8	404	192827-3	2	BATTERY 1822
				405	DC1801	1	BATTERY CHARGER
				406	824525-8	1	PLASTIC CARRYING CASE

2 Model 6343DWAE

09-98