



12V - 3/8" DRIVER DRILL KIT

14.4V - 3/8" DRIVER DRILL KIT

12V - 1/2" DRIVER DRILL KIT

12V - 1/2" DRIVER DRILL KIT

14.4V - 1/2" DRIVER DRILL KIT

14.4V - 1/2" DRIVER DRILL KIT

18V - 1/2" DRIVER DRILL KIT

18V - 1/2" DRIVER DRILL KIT

Model 6217DWDE (MCA)

Model 6237DWDE (MCA)

Model 6317DWAE (MCA)

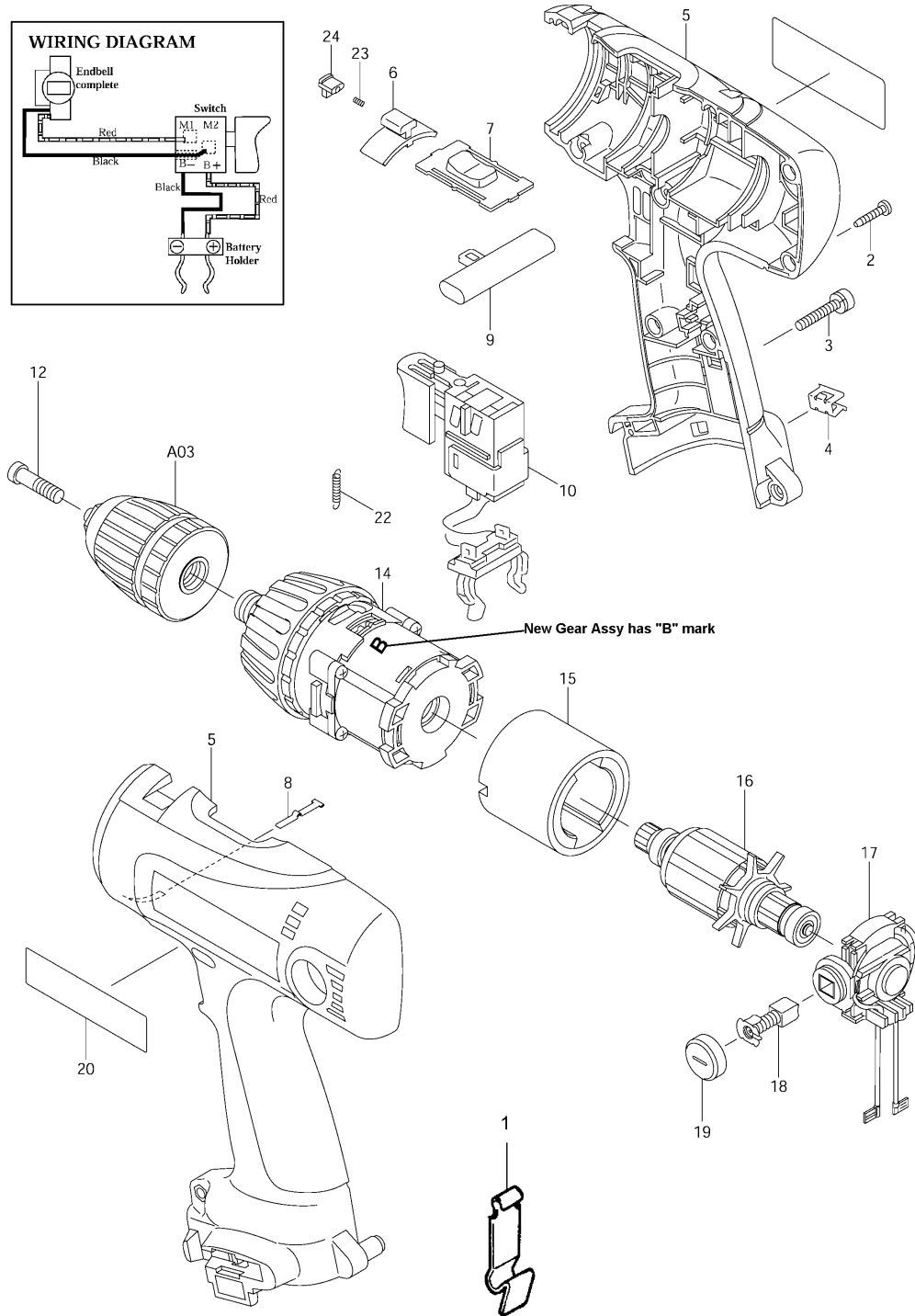
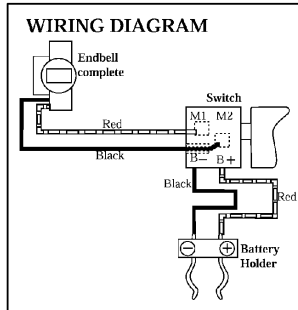
Model 6317DWDE (MCA)

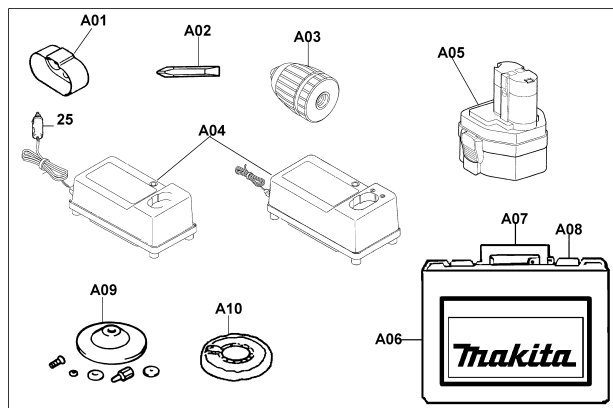
Model 6337DWAE (MCA)

Model 6337DWDE (MCA)

Model 6347DWAE (MCA)

Model 6347DWDE (MCA)





Item No.	Part No.	No. Used	Description	Item No.	Part No.	No. Used	Description
1	343579-1	1	Set Plate (For Batteries with no Hook Button) (Option)	18	191971-3	2	Carbon Brush CB-430 (2pcs/Set)
2	266130-9	9	Tapping Screw Bind PT 3X16 (6217D, 6317D)	19	643929-3	2	Brush Holder Cap (6217D, 6317D, 6237D, 6337D)
	266130-9	10	Tapping Screw Bind PT 3X16 (6237D, 6337D, 6347D)		643954-4	2	Brush Holder Cap (6347D)
3	911143-2	1	P.H. Screw M4X22 (6217D, 6317D)	20	819064-1	1	Makita Mark
4	344391-2	2	Bit Holder	22	231829-5	1	Tension Spring 2
5	183440-8	1	Housing Set (Includes Items 20) (6217D, 6317D)	23	233353-4	1	Compression Spring 2
	183451-3	1	Housing Set (Includes Item 20) (6347D)	24	418095-3	1	Lock Lever (Red) (Old 417966-1 - Black)
	183452-1	1	Housing Set (Includes Item 20) (6237D, 6337D)	25	655000-B	1	Plug
6	417879-6	1	Mode Change Lever	Accessories			
7	125102-2	1	Speed Change Lever Assy (Includes 2x231433-0 - Compression Spring 4)	A01	414938-7	1	Battery Cover
8	232182-2	1	Leaf Spring	A02	-----	1	Bit (See Catalogue for Details)
9	417880-1	1	F/R Change Lever	A03	763158-3	1	1/2" Keyless Drill Chuck - Bulk (6317D, 6337D, 6347D)
10	638143-4	1	Switch Unit (Includes 643924-3 - Battery Holder & 650528-4 - Switch C3SA-MH Single W/O Lock Variable) (6347D)		763163-0	1	3/8" Keyless Drill Chuck - Bulk (6217D, 6237D)
	638144-2	1	Switch Unit (Includes 643924-3 - Battery Holder & 650521-8 - Switch C3SA-ML Single W/O Lock Variable) (6217D, 6237D, 6317D, 6337D)	A04	DC1413	1	Charger for Ni-Cad & Ni-MH 7.2V ~ 14.4V 1.3 ~ 3.0Ah Batteries (6217D, 6317D, 6237D, 6337D)
12	251464-3	1	(-) Flat Head Screw M6X22		DC1422	1	12V Charger for Ni-Cad & Ni-MH 7.2V ~ 14.4V 1.3 ~ 3.0Ah Batteries (6217D, 6317D, 6237D, 6337D)
14	125160-8	1	Gear Assy		DC1803	1	Charger for Ni-Cad & Ni-MH 7.2V ~ 18V 1.3Ah ~ 3.0Ah Batteries (6347D)
15	638138-7	1	Yoke Unit		DC1822	1	12V Charger for Ni-Cad & Ni-MH 7.2V ~ 18V 1.3Ah ~ 3.0Ah Batteries
16	619116-6	1	Armature (6217D, 6317D)	A05	192598-2	1	12V Ni-Cad Battery 1222 W/Clip(2.0AH) (6317DWAE)
	619115-8	1	Armature (6237D, 6337D) (Old 619080-1)		193157-5	1	12V Ni-MH Battery 1234 (2.6Ah) (6217DWDE, 6317DWDE)
	619118-2	1	Armature (6347D)(Old 619082-7)		192600-1	1	14.4V Ni-Cad Battery 1422 W/Clip(2.0Ah) (6337DWAE)
17	638139-5	1	Endbell Com.		193158-3	1	14.4V Ni-MH Battery 1434 (2.6Ah) (6237DWDE, 6337DWDE)
					192827-3	1	18V Ni-Cad Battery 1822 (2.0Ah)
					193159-1	1	18V Ni-MH Battery 1834 (2.6Ah) (6347DWDE)

2 Model 6217DWDE
 2 Model 6237DWDE
 2 Model 6317DWDE/6317DWAE
 2 Model 6337DWDE/6337DWAE
 2 Model 6347DWDE/6347DWAE

Item No.	Part No.	No. Used	Description
A06	824660-2	1	Plastic Carrying Case (Includes 324207-7 - Shaft (Not sold separately), A07 & A08)
A07	417723-7	1	Handle
A08	417724-5	2	Latch
A09	123001-2	1	Rubber Pad Assy
A10	794173-6	1	Wool Bonnet 100

3 Model 6217DWDE
3 Model 6237DWDE
3 Model 6317DWDE/6317DWAE
3 Model 6337DWDE/6337DWAE
3 Model 6347DWDE/6347DWAE