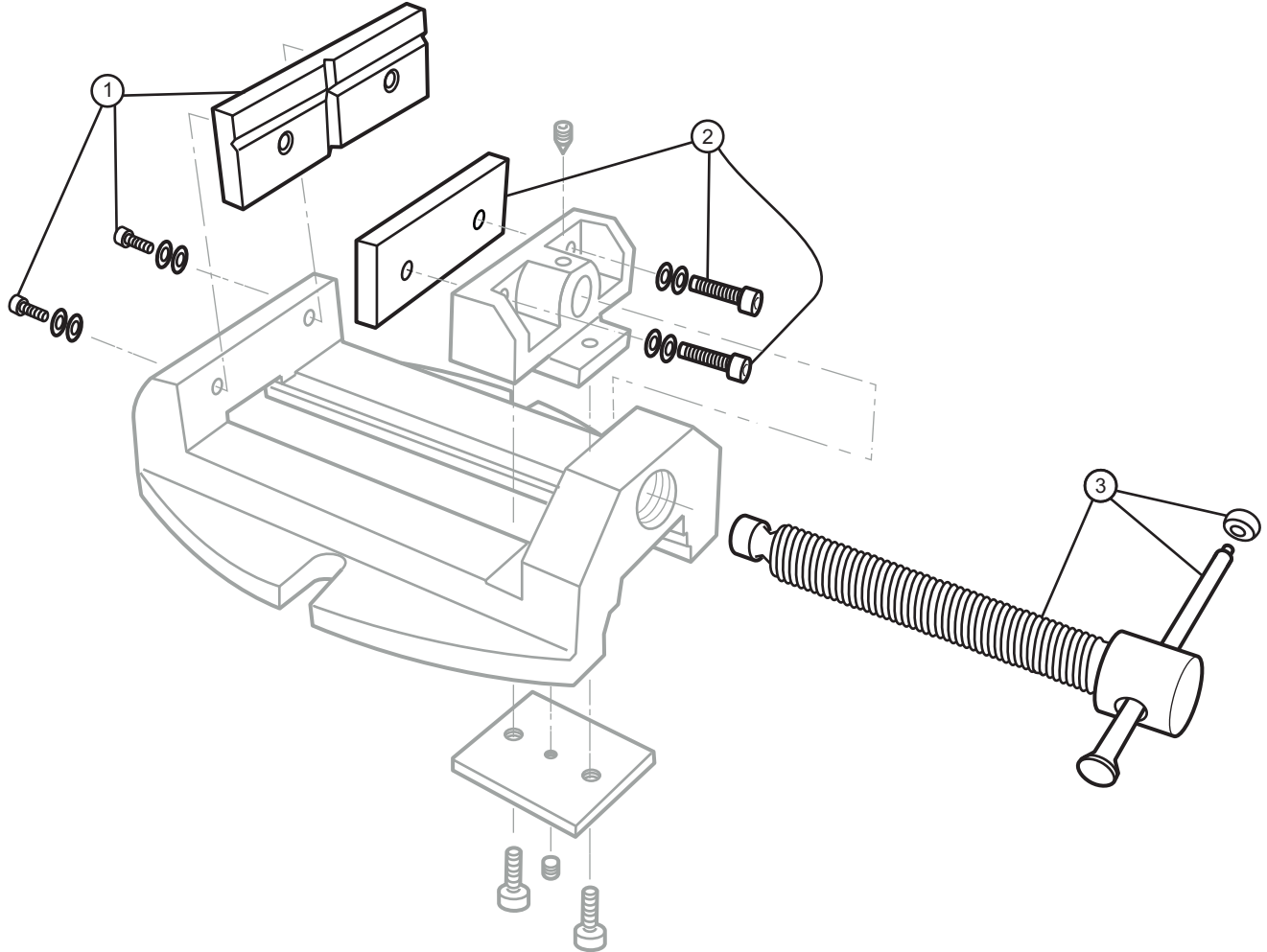




**Versatile Drill Press - Continuous Nut Parts Diagram**  
4" Jaw Width, 3-3/4" Jaw Opening, 1-7/16" Jaw Depth  
Stock #: 63239 Model #: 1345



#	Part	Description
1	63239-01	Fixed Jaw Insert
2	63239-02	Movable Jaw Insert
3	63239-03	Clamp Screw