



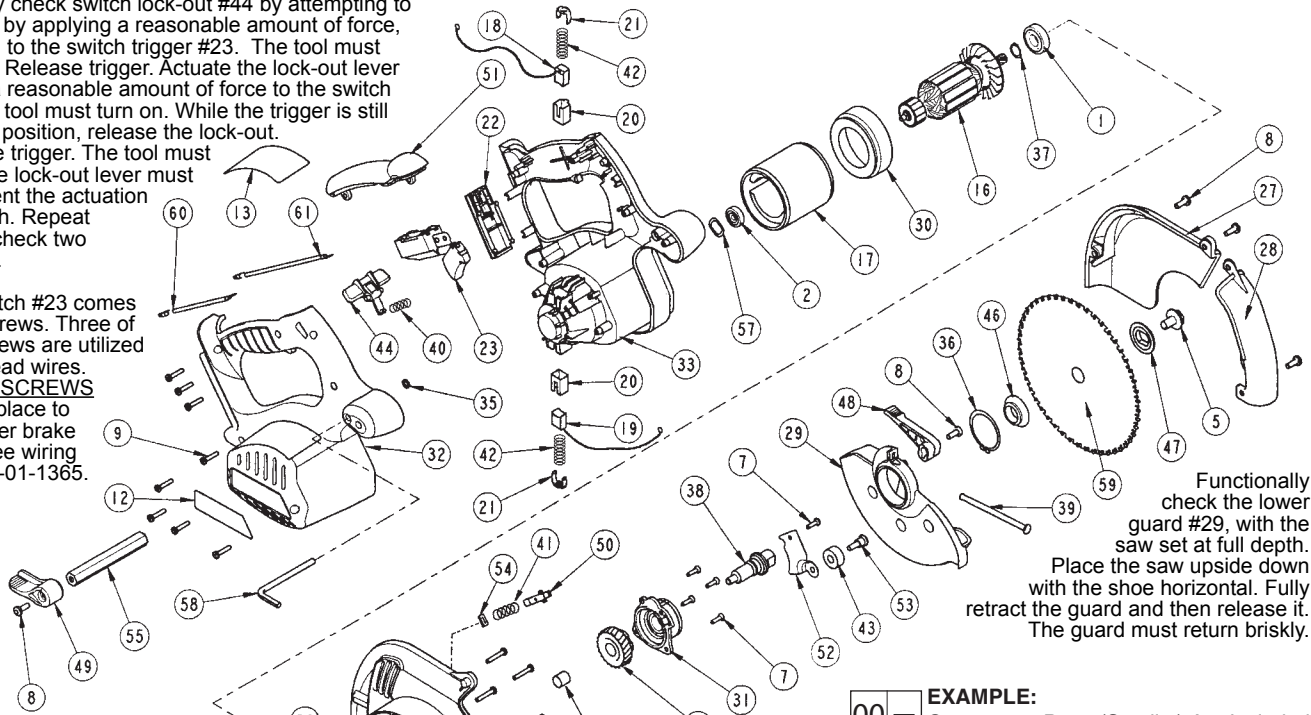
SERVICE PARTS LIST

BULLETIN NO.
54-40-6325

SPECIFY CATALOG NO. AND SERIAL NO. WHEN ORDERING PARTS		REVISED BULLETIN	DATE
CORDLESS METAL CUTTING CIRCULAR SAW			Dec. 2005
CATALOG NO.	6320-20	STARTING SERIAL NO.	383A
		WIRING INSTRUCTION 58-01-1365	

Functionally check switch lock-out #44 by attempting to turn on tool by applying a reasonable amount of force, up to 8 lbs., to the switch trigger #23. The tool must not turn on. Release trigger. Actuate the lock-out lever and apply a reasonable amount of force to the switch trigger. The tool must turn on. While the trigger is still in the "ON" position, release the lock-out. Release the trigger. The tool must stop and the lock-out lever must again prevent the actuation of the switch. Repeat the switch check two more times.

NOTE: Switch #23 comes with four screws. Three of the four screws are utilized to secure lead wires. ALL FOUR SCREWS must be in place to insure proper brake function! See wiring diagram 58-01-1365.



The depth adjustment lever #49 should be above the plane of the shoe #15 and .50 minimum from the tip of the lever to the right handle half vent area when tightened.

Apply 3.0 grams of "Y" grease, No. 49-08-5270 to gear bore of gearcase #26. The grease should be directed toward the pinion end of the armature.

Apply a light film of lubricant to the bearing bore of the gearcase before assembling the armature/bearing.

Functionally check the lower guard #29, with the saw set at full depth. Place the saw upside down with the shoe horizontal. Fully retract the guard and then release it. The guard must return briskly.

EXAMPLE:
Component Parts (Small #) Are Included When Ordering The Assembly (Large #).

FIG.	PART NO.	DESCRIPTION OF PART	NO. REQ.
1	02-04-1212	Ball Bearing	(1)
2	02-04-5130	Ball Bearing	(1)
3	02-50-1640	Needle Bearing	(1)
4	06-57-1100	Lock Nut	(1)
5	06-75-1010	Left Hand Screw	(1)
6	06-75-5860	1/4-20 x 3/4 Screw	(1)
7	06-82-5285	6-32 x .5 Pan Hd. Taptite Screw T-15	(5)
8	06-82-5314	10-24 x .5 Pan Hd. Taptite Screw T-25	(5)
9	06-82-7470	Plastite Torx Screw T-15	(8)
10	06-82-7475	Plastite Torx Screw T-15	(4)
11	06-82-9685	.250 x 1.375 Hex Hd. Shoulder Bolt	(1)
12	10-20-1850	Logo Label	(1)
13	12-20-1360	Service Nameplate	(1)
15	14-74-0325	Shoe Assembly	(1)
16	16-01-2000	Armature	(1)
17	18-01-2000	Field	(1)
18	22-18-1120	Brush Assembly - Red	(1)
19	22-18-1125	Brush Assembly - Black	(1)
20	22-20-0425	Brush Tube	(2)
21	22-32-0420	Brush Spring Clip	(2)
22	22-56-0230	Connector Block	(1)
23	23-66-1000	Switch	(1)
26	28-14-0795	Gearcase	(1)
27	28-20-1172	Upper Guard Cover	(1)
28	28-41-0945	Upper Guard Window	(1)
29	28-41-0965	Lower Guard	(1)
30	31-05-0350	Baffle	(1)
31	31-15-0600	Gearcase Cover	(1)
32	31-44-1970	Right Handle Halve	(1)
33	31-44-1975	Left Handle Halve	(1)
34	32-75-1294	Spindle Gear	(1)
35	34-40-4480	O-Ring	(1)

FIG.	PART NO.	DESCRIPTION OF PART	NO. REQ.
36	34-60-0860	Retaining Ring - External	(1)
37	34-60-0920	Retaining Ring - External	(1)
38	38-50-1115	Spindle	(1)
39	40-50-0045	Guard Spring	(1)
40	40-50-0350	Spring	(1)
41	40-50-8040	Spring	(1)
42	40-50-8745	Brush Spring	(2)
43	42-38-0222	Rubber Bumper	(1)
44	42-42-1020	Switch Lock-Out	(1)
45	42-42-1030	Spindle Lock Button	(1)
46	43-34-0790	Inner Flange	(1)
47	43-34-0795	Outer Flange	(1)
48	44-10-0420	Guard Lever	(1)
49	44-10-0430	Depth Lever	(1)
50	44-20-0650	Spindle Lock	(1)
51	44-52-0540	Cushion Grip	(1)
52	44-66-0840	Spindle Lock Plate	(1)
53	45-04-0485	Bumper Screw	(1)
54	45-06-0720	Felt Seal	(1)
55	45-08-0395	Depth Shaft	(1)
56	45-88-1515	Washer	(1)
57	45-88-5615	Wave Spring Washer	(1)
58	49-96-0080	3/16 Hex Key	(1)
59	-----	6-1/2 Metal Cutting Circular Saw Blade	(1)
60	23-94-4260	Red Leadwire Assembly	(1)
61	23-94-4270	Black Leadwire Assembly	(1)

- FIG. NOTE:**
- 1 Orient the ball bearing so that the seal faces the fan and the open side faces the gearcase.
 - 3 Press needle bearing flush to .015 sub-flush in gearcase.
 - 36 Position retaining ring with rounded edge facing lower guard.
 - 50 Functionally check spindle lock. Spindle lock must return briskly when released from engagement in gear.