



SERVICE PARTS LIST

6-1/2" MITER SAW

Catalog No. 6320

Starting Serial No. **176-6394**

Specify Catalog and Serial No. when ordering parts

BUL. 54-40-1502

REVISED BUL. 54-40-1501 DATE July '74

WIRING INSTRUCTIONS **58-01-0330**

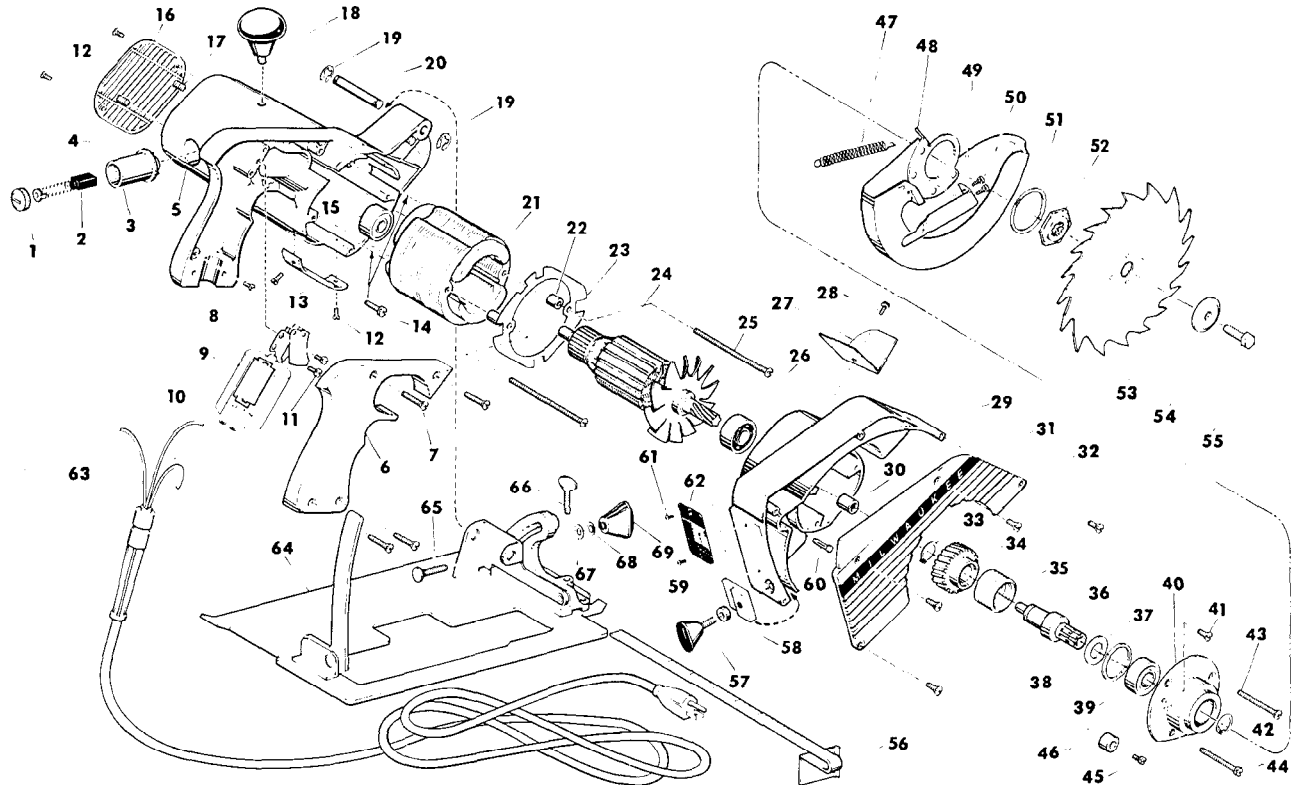


FIG.	PART NO.	DESCRIPTION OF PART	NO. REQ.	FIG.	PART NO.	DESCRIPTION OF PART	NO. REQ.
1	23-44-0050	Brush Retaining Screw	(2)	37	45-88-0280	Spindle Washer	(1)
2	22-18-0095	Carbon Brush Assembly	(2)	38	34-80-2500	Retaining Ring	(1)
3	22-22-0065	Brush Holder Assy.	(2)	39	02-04-1640	Ball Bearing	(1)
★ 4	23-86-0060	Fibre Washer	(2)	40	28-72-6361	Spindle Bearing Plate Assy.	(1)
★ 5	28-50-4726	Motor Housing Assy. (Incl. Figs. 6 & 7)	(1)	41	06-81-3950	10-24x1/2 Oval Hd. Screw	(1)
★ 6	28-20-3126	Handle Cover	(1)	42	34-60-1500	Snap Ring	(1)
7	06-81-3650	8-32x3/4 Oval Hd. Screw	(4)	43	06-81-2700	10-24x1-3/4 Flat Hd. Screw	(1)
8	06-81-8625	6-32x1/4 Ground Screw	(1)	44	06-81-7300	10-24x1-3/4 Fil. Hd. Sem	(1)
★ 9	23-66-0500	Switch	(1)	★ 45	45-04-0480	Guard Bumper Screw	(1)
10	06-97-1800	Switch Lockwasher	(4)	46	42-38-0070	Rubber Bumper	(1)
11	06-81-5400	8-32x5/16 Binder Sem	(2)	47	40-50-3700	Saw Guard Spring	(1)
12	06-81-3450	6-32x5/16 Oval Hd. Screw	(4)	48	28-41-0231	Saw Guard Assy. (Includes Figs. 49 & 50)	(1)
13	28-39-0501	Air Intake Grill	(1)	49	43-62-0420	Saw Guard Handle	(1)
14	06-81-7000	10-24x5/8 Fil. Hd. Sem	(2)	50	06-81-5800	6-32x5/16 Fil. Hd. Sem	(2)
15	02-04-1070	Ball Bearing	(1)	51	34-60-2200	Retaining Ring	(1)
16	28-39-0201	Air Intake Grill	(1)	52	43-34-0080	Spindle Flange	(1)
17	06-83-2670	1/4-20x1/2 Knrl. Set Screw	(2)	53	-	6-1/2" Blade (Select from Catalog)	(1)
18	43-98-0060	Hand Knob	(1)	54	45-88-0290	Spindle Washer	(1)
19	34-60-0800	Retaining Ring	(2)	55	06-75-0475	3/8-24x3/4 Hex. Hd. Screw	(1)
20	44-60-0180	Pivot Pin	(1)	★ 56	49-02-0050	R. H. Saw Rip Fence	(1)
21	18-82-1085	115 V. Field	(1)	57	43-98-0080	Depth Adjusting Knob	(1)
22	45-36-0190	Baffle Spacer	(2)	58	45-88-0240	Adjusting Square Washer	(1)
23	42-14-0070	Saw Baffle	(1)	59	44-40-0150	Depth Adjusting Nut	(1)
24	16-82-1290	115 V. Armature	(1)	60	45-58-0090	Spring Anchor Stud	(1)
25	06-81-9000	8-32x3-1/8 Rd. Hd. Sem	(2)	61	06-85-0200	6x1/4 Rd. Hd. Type Z Screw	(2)
26	02-04-1570	Ball Bearing	(1)	★ 62	12-99-0032	Nameplate	(1)
27	45-12-0080	Eye Shield	(1)	63	22-64-0080	Cord Set	(1)
28	06-81-8650	6-32x1/4 Rd. Hd. Sem	(1)	64	45-16-0120	Saw Shoe Assy. (Includes Figs. 65 thru 69)	(1)
29	28-28-0861	Diaphragm	(1)	65	42-32-0070	Miter Plate Bolt	(1)
30	02-50-2440	Needle Bearing	(1)	66	06-87-5000	1/4-20x7/8 Thumb Screw	(1)
31	28-20-1001	Diaphragm Cover	(1)	67	45-88-5240	Flat Washer	(1)
32	06-81-3600	8-32x3/8 Oval Hd. Screw	(4)	68	40-50-5700	Miter Knob Spring	(1)
33	34-60-1600	Retaining Ring	(1)	69	43-98-0070	Plate Adjusting Knob	(1)
34	32-75-1801	Spindle Gear Assembly	(1)	70	49-96-6400	1-3/8 Open End Wrench (Not Shown)	(1)
35	40-50-3910	Spindle Drive Spring	(1)	★ 71	49-96-6200	9/16 Utility Wrench (Not Shown)	(1)
36	38-50-3351	Spindle	(1)				