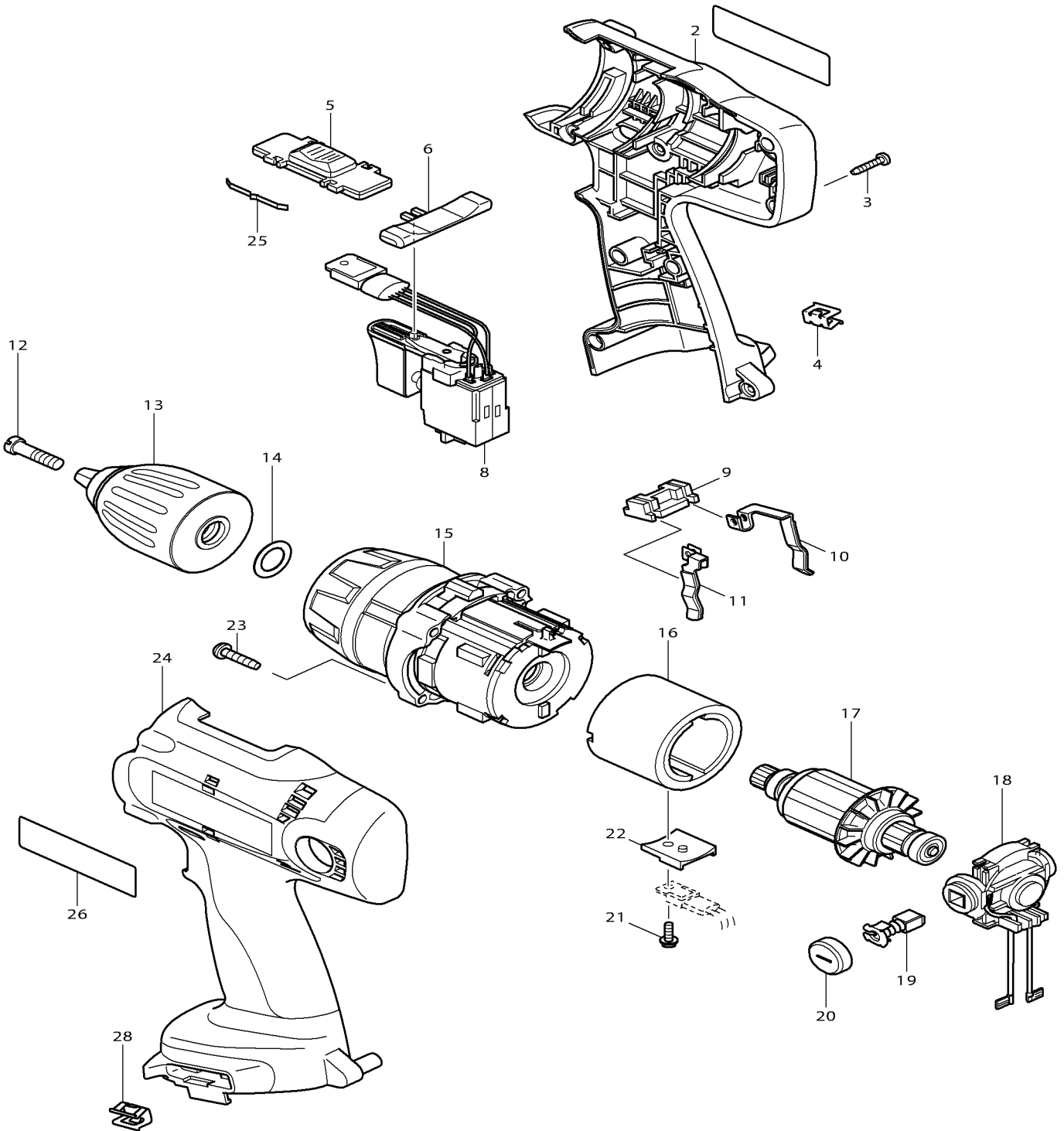




08-2006

12V 1/2" DRIVER DRILL KIT MODEL 6319DWDE (MCA)



Item#	Part#	Description	Q'ty	Unit	
2	183978-3	HOUSING SET	1	SET	
	D10	INC. 24			
3	266130-9	TAPPING SCREW BIND PT 3X16	9	PC.	
4	344391-2	BIT HOLDER	1	PC.	
5	125261-2	SPEED CHANGE LEVER ASS'Y	1	PC.	
6	418753-1	F/R CHANGE LEVER	1	PC.	
8	650559-3	SWITCH C3LA-2A-ED, SINGLE, VAR/REV	1	PC.	
9	687085-9	HOLDER	1	PC.	
10	654168-0	SPRING TERMINAL (+)	1	PC.	
11	654169-8	SPRING TERMINAL (-)	1	PC.	
12	251464-3	- FLAT HEAD SCREW M6X22	1	PC.	
13	763191-5	KEYLESS DRILL CHUCK 13	1	PC.	
14	253798-0	FLAT WASHER 13	1	PC.	
15	125284-0	GEAR ASS'Y(TYPE 1)	1	PC.	
	C10	418763-8	SPEED CHANGE RING(TYPE 1)	1	PC.
	C20	268088-8	PIN 1.2	2	PC.
	C30	419557-4	CHANGE LEVER	1	PC.
15-1	125340-6	GEAR ASS'Y(TYPE 2)	1	PC.	
	C10	419558-2	SPEED CHANGE RING(TYPE 2)	1	PC.
	C20	268088-8	PIN 1.2	1	PC.
	C30	419557-4	CHANGE LEVER	1	PC.
16	638376-1	YOKE UNIT	1	PC.	
17	629827-5	ARMATURE	1	PC.	
18	638375-3	ENDBELL COMPLETE	1	PC.	
19	191971-3	CARBON BRUSH CB-430, 2PCS/SET	1	SET	
20	643929-3	BRUSH HOLDER CAP	2	PC.	
21	266282-6	TAPPING SCREW ST3X10	1	PC.	
22	689136-4	FET SPACER	1	PC.	
23	266045-0	TAPPING SCREW 4X20	4	PC.	
24	183978-3	HOUSING SET	1	SET	
	D10	INC. 2			
025	232220-0	LEAF SPRING	2	PC.	
28	344391-2	BIT HOLDER	1	PC.	
		ACCESSORIES			
A01	122712-6	GRIP ASS'Y	1	PC.	
	C10	152624-9	GRIP 36 COMPLETE	1	PC.
	C20	266349-0	SQUARE BOLT M8X50	1	PC.
	C30	345463-6	GRIP SPRING 60	1	PC.
	C40	418768-8	GRIP BASE	1	PC.
A02	414938-7	BATTERY COVER	2	PC.	
A03	DC1414	CHARGER DC1414	1	PC.	
A04	193157-5	12V NI-MH BATTERY 1234(2.6AH)	2	PC.	
A06	824534-7	PLASTIC CARRYING CASE	1	PC.	
A07	324362-5	HOOK	1	PC.	
A08	784639-4	SQUARE BIT	1	PC.	
A09	784640-9	SQUARE BIT S2-S3	1	PC.	
D01	652038-7	PAN HEAD SCREW M3X8	2	PC.	

2 MODEL 6319DWDE (MCA)

Item#		Part#	Description	Q'ty	Unit
F01		122711-8	GRIP ASS'Y	1	PC.
	C10	152624-9	GRIP 36 COMPLETE	1	PC.
	C20	266349-0	SQUARE BOLT M8X50	1	PC.
	C30	345463-6	GRIP SPRING 60	1	PC.
	C40	418768-8	GRIP BASE	1	PC.
	C50	251812-6	SCREW M5X10	1	PC.
	C60	931202-6	HEX. NUT M5	1	PC.