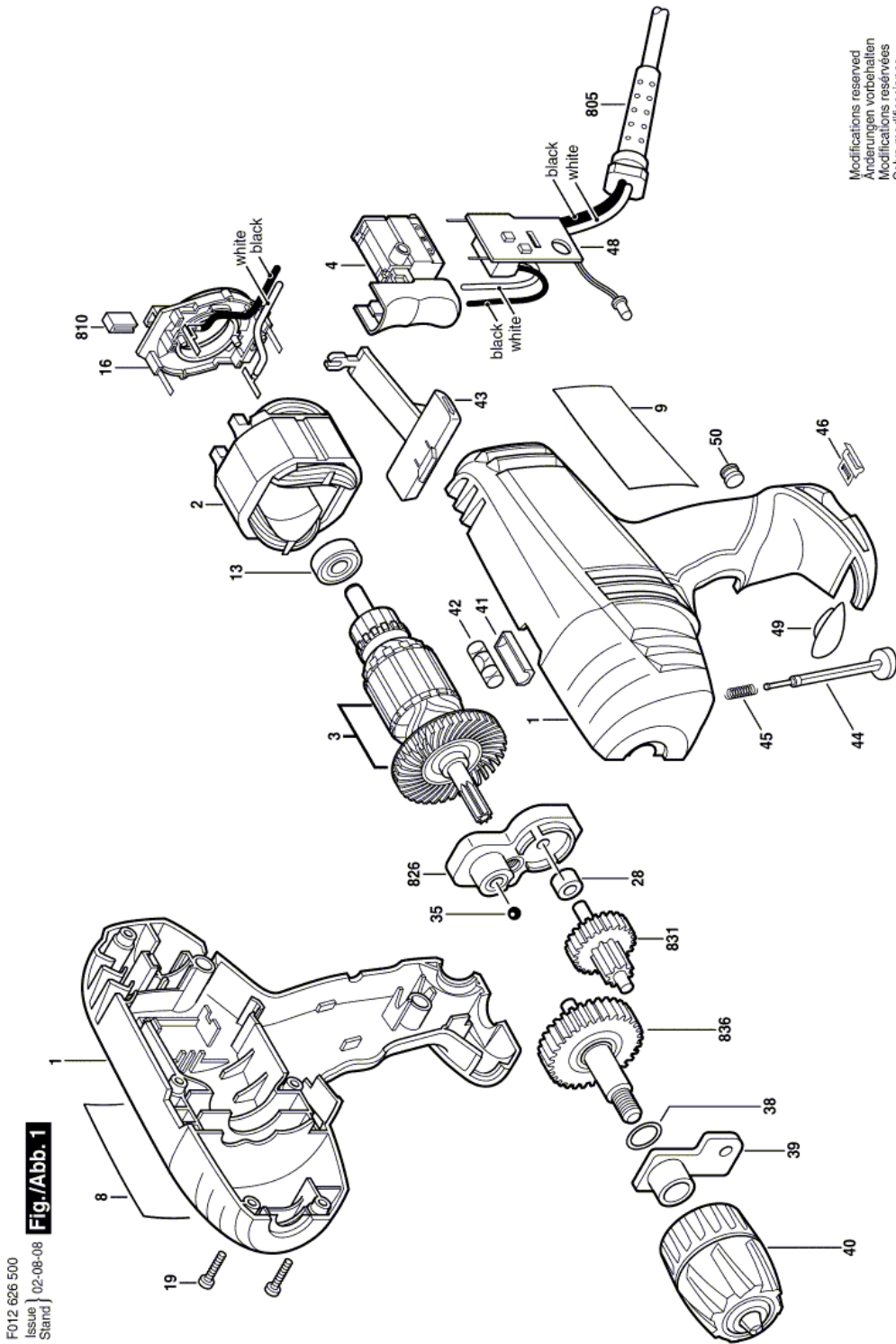


Drill - F 012 626 500 - 6265

Item	Part Number	Description	Illustration	Price	Quantity	Price Group
1	2 610 912 698	Motor Housing	1	-,-	1	-
2	1 619 P00 498	Field 120V	1	-,-	1	-
3	1 619 P00 497	Armature 120V	1	-,-	1	-
4	2 610 912 690	On-Off Switch	1	-,-	1	-
8	1 619 X00 011	Nameplate	1	-,-	1	-
9	2 610 912 726	Reference Plate	1	-,-	1	-
13	2 610 001 147	Ball Bearing	1	-,-	1	-
16	2 610 915 429	Carbon Brush Holder	1	-,-	1	-
19	2 610 315 386	Screw ST3,9x19	1	-,-	7	11
28	1 619 X00 135	Spacer	1	-,-	1	-
35	1 619 X00 105	Ball	1	-,-	1	-
38	1 619 X00 111	Washer	1	-,-	1	-
39	2 610 912 710	Block Bushing	1	-,-	1	-
40	1 619 X00 090	Chuck	1	-,-	1	33
41	2 610 967 205	Support	1	-,-	1	-
42	2 610 967 204	Bubble Level	1	-,-	1	11
43	2 610 912 699	Button	1	-,-	1	-
44	2 610 910 285	Locking Lever	1	-,-	1	-
45	1 619 X00 115	Spring	1	-,-	1	-
46	2 610 912 706	Spring Clip	1	-,-	1	-
48	2 610 916 672	Spare Part	1	-,-	1	-
49	2 610 912 704	Lens	1	-,-	1	-
50	2 610 912 693	Lens	1	-,-	1	-
805	2 610 912 702	Cord	1	-,-	1	-
810	2 610 915 893	Carbon-Brush Set	1	-,-	1	-
826	2 610 915 894	Bearing Block	1	-,-	1	-
831	2 610 915 899	Bearing Housing	1	-,-	1	-
836	2 610 915 900	Spindle	1	-,-	1	-

Illustration - Type E



Information subject to change without further notice.