



SERVICE PARTS LIST

BULLETIN NO. 54-40-0331

SPECIFY CATALOG NO. AND SERIAL NO. WHEN ORDERING PARTS		REVISED BULLETIN 54-40-0330	DATE Dec. '88
D.I. VARIABLE SPEED JIG SAW		WIRING INSTRUCTION 58-01-0093	
CATALOG NO. 6256	STARTING SERIAL NO. 749-25501		

EXAMPLE:

00 **0** Component Parts (Small #) Are Included When Ordering The Assembly (Large #).

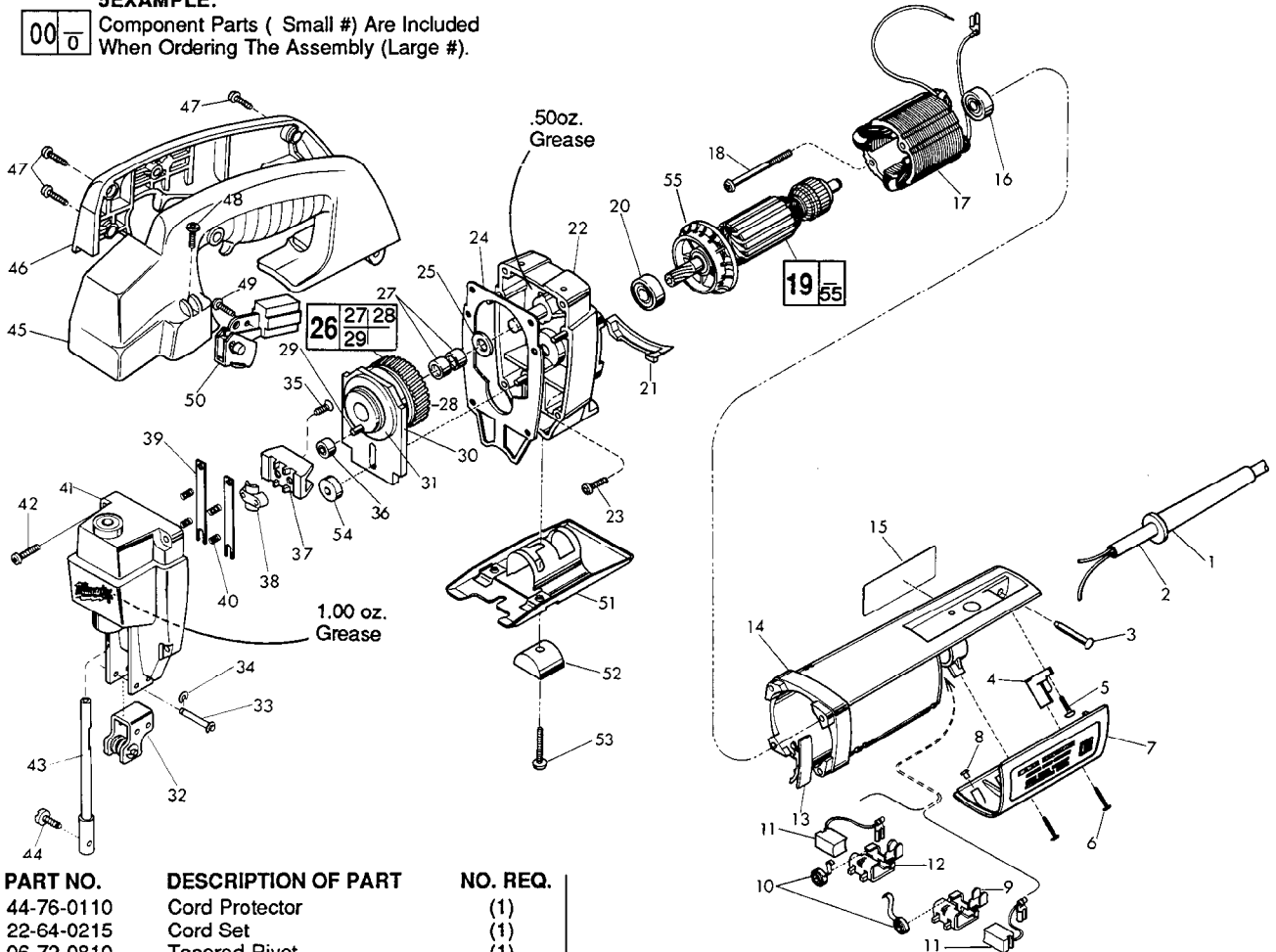


FIG.	PART NO.	DESCRIPTION OF PART	NO. REQ.
	1	Cord Protector	(1)
	2	Cord Set	(1)
	3	Tapered Rivet	(1)
	4	Cord Clamp	(1)
	5	8-16x5/8" Torx Plastite Screw	(2)
	6	8-16x5/8" Torx Plastite Screw	(2)
	7	Cover	(1)
★	8	Rubber Bumper	(2)
	9	L. H. Brush Holder	(1)
	10	Brush Spring	(2)
	11	Carbon Brush Assembly	(2)
	12	R. H. Brush Holder	(1)
	13	Vent Cover	(1)
	14	Motor Housing	(1)
★	15	Service Nameplate	(1)
	16	Ball Bearing	(1)
	17	120 V. Field	(1)
	18	8-16x1-7/8" Torx Plastite Screw	(2)
	19	120 V. Armature	(1)
	20	Ball Bearing	(1)
	21	Air Deflector	(1)
	22	Gear Case Assembly	(1)
	23	8-16x5/8" Torx Plastite Screw	(4)
	24	Gasket	(1)
	25	Bronze Washer	(1)
	26	Drive Gear Assembly	(1)
	27	Roller Bearing	(2)
	28	Drive Gear	(1)
	29	Pin	(1)
★	30	Counter Balance	(1)
	31	Counter Balance Retainer	(1)
★	32	Roller Bracket Assembly	(1)
	33	Bracket Pin	(2)
	34	Retaining Ring	(4)
	35	8-32x3/8" Flat Hd. Torx Screw	(2)

FIG.	PART NO.	DESCRIPTION OF PART	NO. REQ.
	36	Roller Assembly	(1)
	37	Yoke	(1)
	38	Yoke Clamp	(1)
	39	Rail	(2)
	40	Coil Spring	(4)
	41	Front Housing Assembly	(1)
	42	8-32x3/4" Torx Taptite Screw	(4)
★	43	Spindle Assembly	(1)
	44	Blade Clamp Screw	(1)
	45	Handle Half-Left	(1)
	46	Handle Half-Right	(1)
	47	8-16 x 5/8" Torx Plastite Screw	(4)
	48	8-32x1/2" Torx Taptite Screw	(2)
	49	8-16 x 1/2" Torx Plastite Screw	(1)
	50	Switch with Lock Button	(1)
	51	Swivel Shoe Assembly	(1)
	52	Shoe Retainer	(1)
	53	1/4-20x3/4" Slit. Pan Hd. Screw	(1)
	54	Spacer	(1)
	55	Fan	(1)

FIG. LUBRICATION
 22 .50 Oz. Type "F" Grease, No. 49-08-4160.
 41 1.00 Oz. Type "F" Grease, No. 49-08-4160.

FIG. NOTES
 35 Torque To 28-32 In./ Lbs.

MILWAUKEE ELECTRIC TOOL CORPORATION
 13135 W. LISBON RD., BROOKFIELD, WI 53005