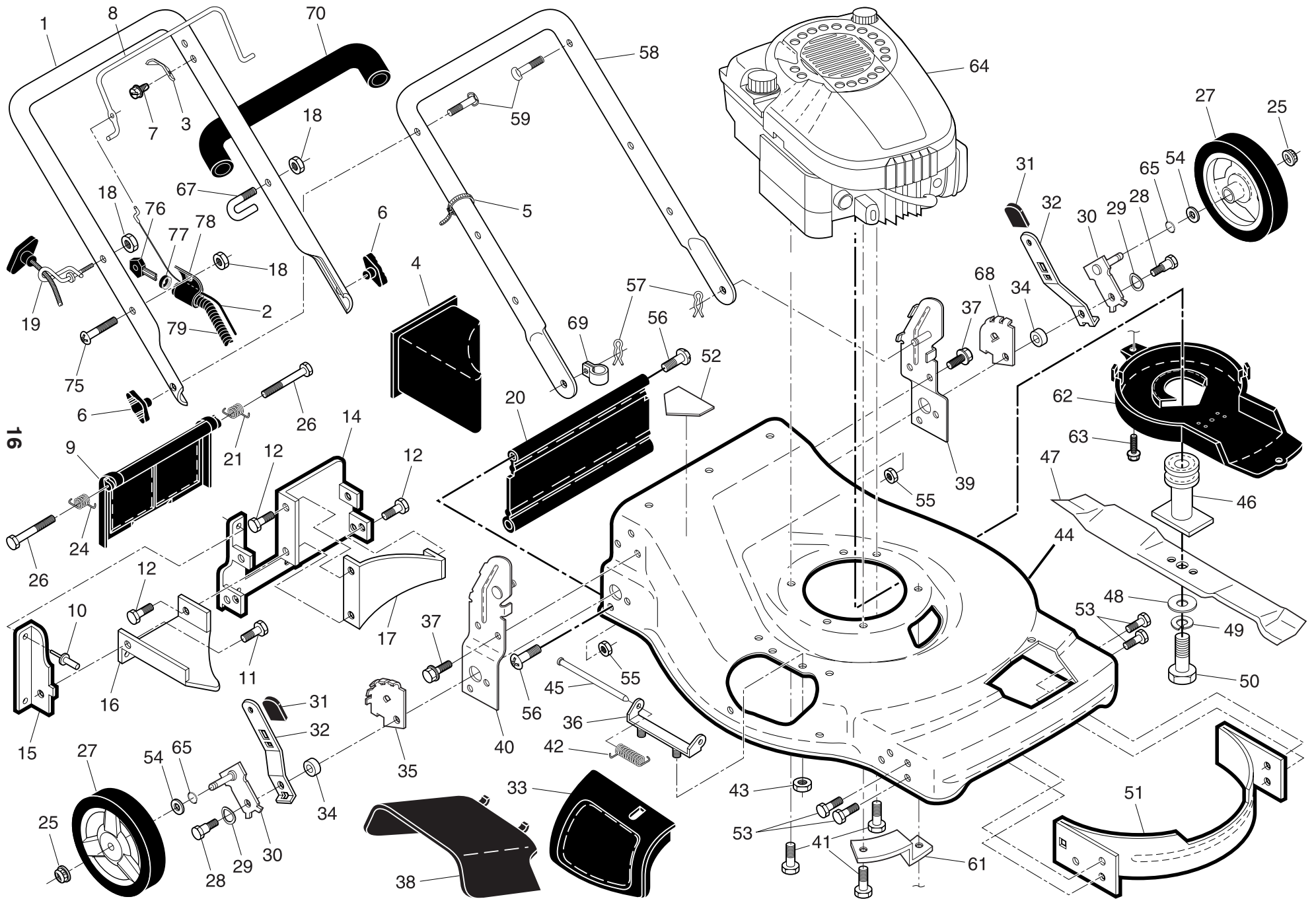


ROTARY LAWN MOWER - - MODEL NUMBER 62522FE (96143004400) - PRODUCT NUMBER 961 43 00-44



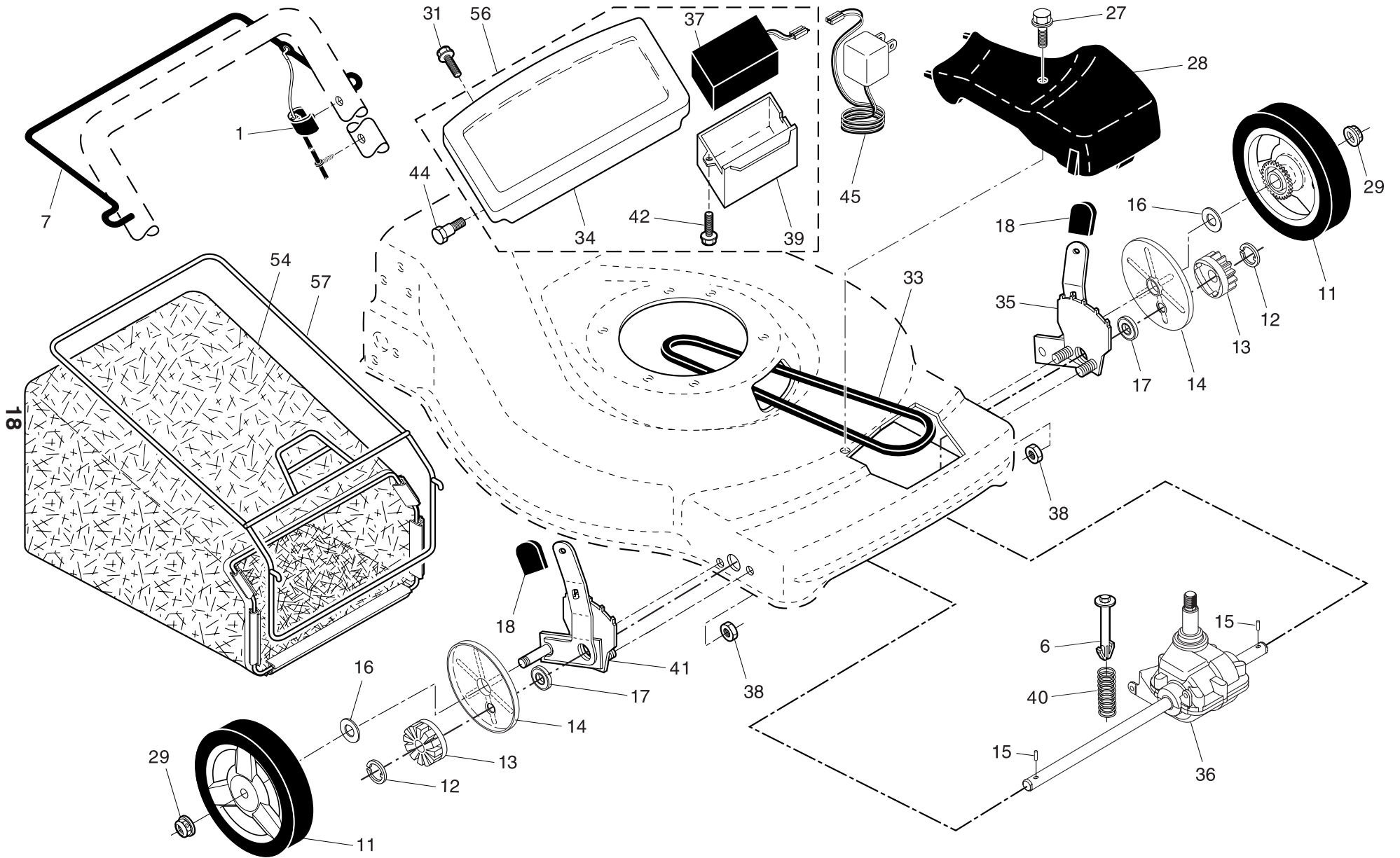
ROTARY LAWN MOWER - - MODEL NUMBER 62522FE (96143004400) - PRODUCT NUMBER 961 43 00-44

KEY NO.	PART NO.	DESCRIPTION	KEY NO.	PART NO.	DESCRIPTION
1	532 19 99-83	Upper Handle (Includes Foam Grip)	41	532 15 04-06	Screw, Hex Head, Threaded, Rolled 3/8-16 x 1-1/8
2	532 40 19-94	Cable, Operator Presence	42	532 19 30-00	Spring, Torsion
3	532 12 51-62	Bracket, Upstop	43	873 80 04-00	Nut, Hex, Nylock
4	532 16 66-49	Mulcher Plug	44	532 41 74-05	Kit, Lawn Mower Housing (Includes Key Numbers 14, 15 and 51)
5	532 06 64-26	Wire Tie	45	532 17 56-50	Rod, Hinge
6	532 19 19-38	Handle Knob	46	532 18 91-79	Blade Adapter / Pulley
7	532 75 06-34	Screw	47	532 40 67-13	Blade, 22"
8	532 41 31-85	Control Bar	48	532 85 10-74	Washer, Hardened
9	532 40 84-92	Rear Door Assembly	49	532 85 02-63	Washer, Helical
10	532 12 84-15	Pop Rivet	50	532 85 10-84	Screw, Machine, Hex Head 3/8-24 x 1-3/8 Grade 8
11	532 15 00-50	Screw, Self-Tapping #10-24 x 5/8	51	532 17 00-31	Front Baffle
12	532 05 45-83	Screw, Hex Hex Head, Sems 1/4-20 x 1/2	52	532 40 47-63	Danger Decal
14	532 19 70-76	Back Plate	53	817 60 04-06	Screw
15	532 41 13-34	Side Baffle	54	532 08 83-48	Washer, Flat
16	532 17 71-33	Discharge Baffle	55	873 93 06-00	Nut, Hex
17	532 14 89-41	Rear Baffle	56	532 08 86-52	Screw, Hinge 1/4-20 x 1-1/4
18	532 13 20-04	Keps Locknut 1/4-20	57	532 05 17-93	Hairpin Cotter
19	532 19 47-88	Rope Guide	58	532 40 34-33	Lower Handle
20	532 41 31-60	Rear Skirt	59	532 19 15-74	Handle Bolt
21	532 40 54-21	Spring, Rear Door, LH	61	532 19 09-39	Bracket Debris Shield
24	532 40 54-23	Spring, Rear Door, RH	62	532 40 58-43	Debris Shield
25	532 40 91-48	Nut, Hex, Flanged	63	532 19 23-25	Screw, Debris Shield
26	532 18 41-93	Bolt, Rear Door	64	- - -	Engine, Briggs & Stratton, Model Number 122T05-1269-B1 (Order parts from Engine manufacturer)
27	532 41 08-31	Wheel & Tire Assembly, Rear	65	532 19 74-80	O-Ring
28	532 14 27-48	Bolt, Shoulder 3/8-16 x 1	67	532 40 16-07	Clip, Packaging
29	532 40 16-30	Washer, Belleville	68	532 41 06-23	Wheel Adjusting Bracket, LH
30	532 40 78-71	Axle Arm Assembly	69	532 19 79-91	Clip, Cable
31	532 70 10-37	Selector Knob	70	532 18 63-62	Foam Grip
32	532 40 64-28	Selector Spring	75	532 18 61-59	Screw
33	532 19 70-29	Mulcher Door	76	532 18 03-31	Key
34	532 40 16-29	Spacer	77	532 19 48-48	Nut, Cap
35	532 41 06-24	Wheel Adjusting Bracket, RH	78	532 40 95-67	Key Start Switch
36	532 17 57-35	Hinge Bracket Assembly	79	532 18 96-85	Wiring Harness
37	817 00 05-12	Screw, Sems, Thread Cutting 5/16-18 x 3/4	--	532 40 47-64	Warning Decal (not shown)
38	532 40 38-19	Discharge Deflector			
39	532 41 91-93	Handle Bracket Assembly, LH			
40	532 41 91-92	Handle Bracket Assembly, RH			

NOTE: All component dimensions given in U.S. inches. 1 inch = 25.4 mm

IMPORTANT: Use only Original Equipment Manufacturer (O.E.M.) replacement parts. Failure to do so could be hazardous, damage your lawn mower and void your warranty.

ROTARY LAWN MOWER - - MODEL NUMBER 62522FE (96143004400) - PRODUCT NUMBER 961 43 00-44



ROTARY LAWN MOWER - - MODEL NUMBER 62522FE (96143004400) - PRODUCT NUMBER 961 43 00-44

19

KEY NO.	PART NO.	DESCRIPTION	KEY NO.	PART NO.	DESCRIPTION
1	532 19 46-53	Drive Control Cable	34	532 41 11-90	Trimplate
6	532 15 04-95	Retainer, Spring	35	532 42 42-01	Kit, Wheel Adjuster, LH (Includes Knob and Bearing)
7	532 19 90-93	Bar, Drive Control	36	532 41 52-26	Gear Case Assembly, Complete
11	532 41 10-81	Wheel & Tire Assembly	37	532 18 95-89	Battery
12	812 00 00-58	E-Ring	38	873 80 04-00	Locknut, Hex 1/4-20
13	532 40 38-49	Gear, Pinion	39	532 18 62-37	Box, Battery
14	532 18 94-03	Dust Cover	40	532 13 70-90	Spring
15	532 40 48-45	Pawl, Drive	41	532 42 42-00	Kit, Wheel Adjuster, RH (Includes Knob and Bearing)
16	532 06 77-25	Washer, Flat 3/8	42	817 41 13-08	Screw, Hex Head #13 x 1/2
17	532 19 10-39	Ball Bearing	44	532 17 55-51	Screw, Shoulder, Hex Head #10-28 x 5/8
18	532 70 10-37	Selector Knob	45	532 19 00-97	Charger, Battery
27	532 17 52-62	Pan Head Tapping Screw #10-24 x 2-3/4	54	532 42 56-69	Grassbag Assembly
28	532 41 91-95	Drive Cover	56	532 19 12-52	Trimplate / Battery / Battery Box Assembly
29	532 40 91-48	Locknut, Hex	57	532 41 19-52	Frame, Grassbag
31	532 14 18-41	Screw, Torx Pan Head #20			
33	532 14 65-27	V-Belt			

NOTE: All component dimensions given in U.S. inches. 1 inch = 25.4 mm

IMPORTANT: Use only Original Equipment Manufacturer (O.E.M.) replacement parts. Failure to do so could be hazardous, damage your lawn mower and void your warranty.