



SERVICE PARTS LIST

BUL. 54-40-3003

JIG SAW

REVISED BUL. 54-40-3002 DATE Mar. '74

Catalog No. 6250

Starting Serial No. **281-26772**

WIRING INSTRUCTIONS **58-01-0090**

Specify Catalog and Serial No. when ordering parts

FOR 230V TOOL USE:
 22-64-2220 CORD SET
 22-18-0375 CARBON BRUSH
 18-26-1121 FIELD
 16-26-1160 ARMATURE

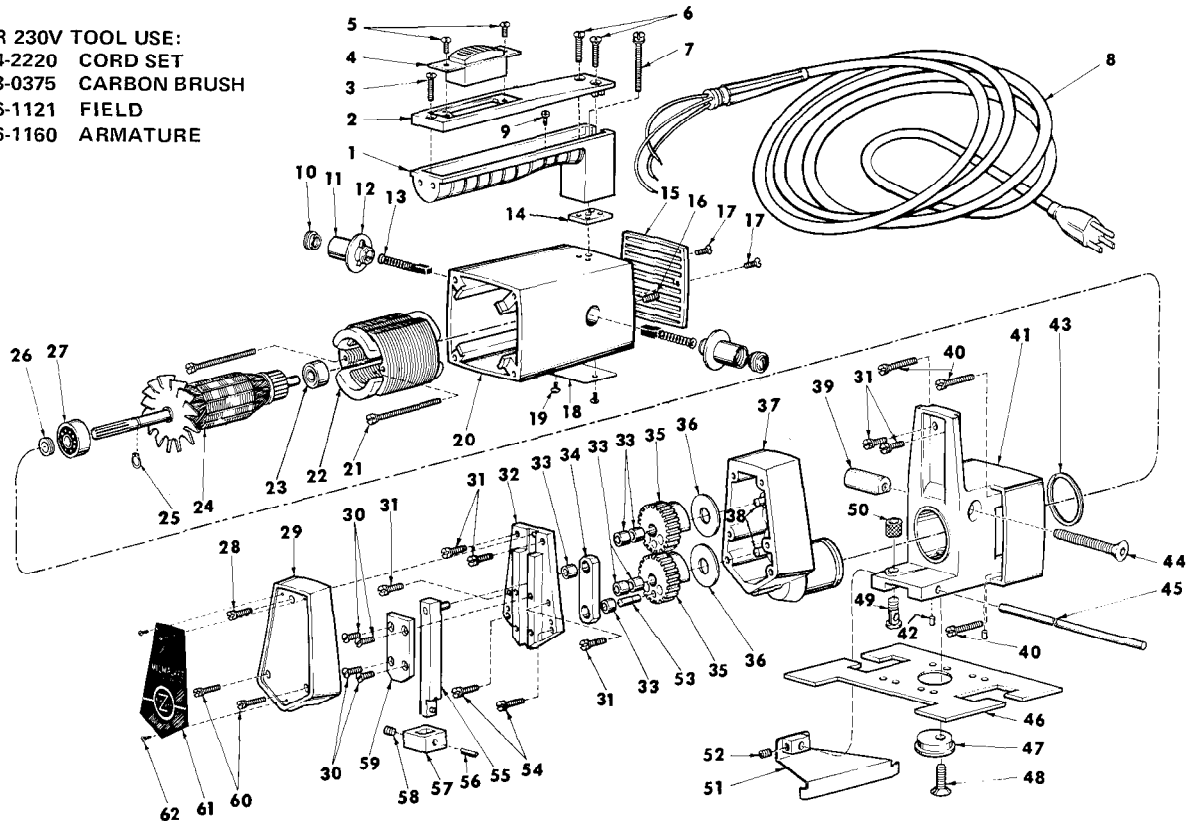


FIG.	PART NO.	DESCRIPTION OF PART	NO. REQ.	FIG.	PART NO.	DESCRIPTION OF PART	NO. REQ.
1	28-44-9261	Switch Handle	1	35	32-48-1001	Mechanism Gear	2
2	28-20-3521	Switch Handle Cover	1	36	45-88-0380	Thrust Washer	2
3	06-81-3500	6-32x5/8 Oval Hd. Screw	1	37	14-30-0220	Gear Case Assy. (Includes Fig. 38)	1
4	23-66-0310	Switch	1	38	44-60-0260	Mechanism Pin	2
5	06-81-8650	6-32x1/4 Round Hd. Sem	2	39	44-68-0100	Locking Plug	1
6	06-81-3650	8-32x3/4 Oval Hd. Screw	2	40	06-81-6300	8-32x7/8 Fil. Hd. Sem	4
7	06-81-6550	8-32x1-1/2 Fil. Hd. Sem	1	41	14-13-0100	Diaphragm Assy. (Includes Fig. 42)	1
8	22-64-0220	Cord Set	1	42	06-65-0630	3/16x1/2 Drivlok Pin	2
9	06-81-8625	6-32x1/4 Ground Screw	2	43	34-60-2125	Retaining Ring	1
10	23-44-0020	Brush Retaining Screw	1	44	06-81-3125	5/16-18x1-3/4 Skt. Flat Hd. Screw	1
11	22-22-0050	Brush Holder Assy.	2	45	44-94-0080	Rip Guide Rod	1
★12	23-86-0105	Insulating Washer	2	46	45-16-0231	Saw Shoe	1
★13	22-18-0155	Carbon Brush	2	47	45-88-0370	Shoe Adjusting Washer	1
14	45-36-0250	Handle Spacer	1	48	06-81-3075	5/16-18x3/4 Skt. Flat Hd. Screw	1
15	28-39-0221	Grill Casting	1	49	45-58-0120	Locking Stud	1
★16	06-83-2430	10-32x1/4 Hdls. Skt. Screw	2	50	44-40-0210	Locking Nut	1
17	06-81-3450	6-32x5/16 Oval Hd. Screw	2	51	44-66-0300	Plate Assembly	1
18	12-98-5000	Nameplate	1	52	06-75-1985	8-32x5/16 Skt. Screw	1
★19	06-81-8200	4-36x3/16 Rd. Hd. Sem	2	53	44-60-0250	Connecting Rod Pin	1
20	28-50-4981	Motor Housing	1	54	06-81-6400	8-32x1-1/8 Fil. Hd. Sem	2
21	06-81-5950	6-32x1-7/8 Fil. Hd. Sem	2	★55	38-50-4963	Spindle Assy. (Incl Figs. 56 thru 58)	1
★22	18-22-1121	115 Volt Reversing Field	1	★56	06-65-0900	5/32 x 9/16 Roll Pin	1
23	02-04-0740	Ball Bearing	1	★57	42-68-0195	Blade Clamp	1
24	16-22-1190	115 Volt Armature (Includes Fig. 25)	1	58	06-83-2430	10-32x1/4 Hdls. Skt. Screw	1
25	34-60-0550	Retaining Ring	1	59	42-92-0151	Bearing Plate Cover	1
26	45-28-0090	Grease Stinger	1	60	06-81-5850	6-32x5/8 Fil. Hd. Sem	2
27	02-04-0940	Ball Bearing	1	61	12-75-1900	Nameplate	1
28	06-81-5825	6-32x1/2 Fil. Hd. Sem	1	★62	06-81-4300	3-48x3/16 Round Hd. Screw (or)	3
29	28-20-1061	Gear Case Cover	1		06-81-8200	4-36x3/16 Rd. Hd. Sem	3
30	06-81-8050	8-32x3/8 Flat Hd. Sem	4				
31	06-81-6100	8-32x7/16 Fil. Hd. Sem	6				
32	42-24-0181	Spindle Bearing Plate	1				
33	02-50-1200	Needle Bearing	6				
34	44-94-0131	Connecting Rod	1				
						NOT SHOWN	
						Key Holder	
						3/32 Socket Wrench	
						3/16 Socket Wrench	
						1/8 Socket Wrench	
						Caution Plate	