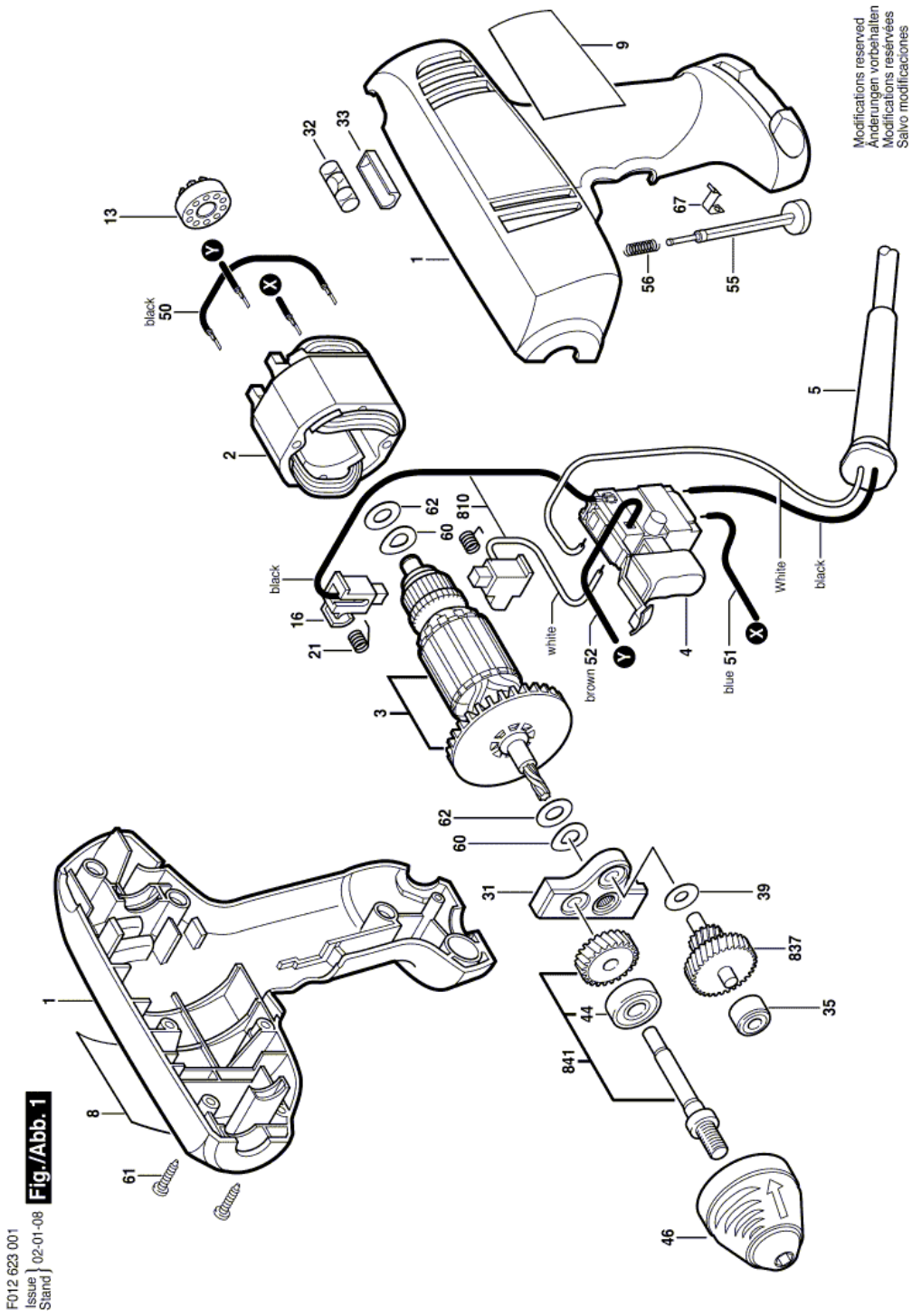


Drill - F 012 623 001 - 6233

Item	Part Number	Description	Illustration	Price	Quantity	Price Group
1	2 610 909 081	Motor Housing	1	-,-	1	-
2	2 610 315 863	Field 120V	1	-,-	1	28
3	2 610 994 880	Armature 120V	1	-,-	1	33
4	2 610 913 361	On-Off Switch	1	-,-	1	-
5	1 619 X00 506	Power supply cord	1	-,-	1	-
8	2 610 915 240	Nameplate	1	-,-	1	-
9	2 610 915 241	Reference Plate	1	-,-	1	-
13	2 610 967 219	Bushing	1	-,-	1	-
16	2 610 967 207	Brush Holder	1	-,-	2	-
21	2 610 354 369	Carbon Brush	1	-,-	2	21
31	2 610 967 211	Bearing Block	1	-,-	1	-
32	2 610 967 204	Bubble Level	1	-,-	1	11
33	2 610 967 205	Support	1	-,-	1	-
35	2 610 967 222	Sintered-Metal Bushing	1	-,-	1	-
39	2 600 100 627	Shim 0,3 MM	1	-,-	1	11
44	2 600 905 052	Deep-Groove Ball Bearing 8x22x7	1	-,-	1	20
46	2 610 915 242	Chuck	1	-,-	1	-
50	2 610 038 609	Connecting Wire BLACK	1	-,-	1	11
51	2 610 912 415	Connecting Cable BLUE	1	-,-	1	-
52	2 610 912 414	Connecting Cable BROWN	1	-,-	1	-
55	2 610 910 285	Locking Lever	1	-,-	1	-
56	2 610 967 239	Compression Spring	1	-,-	1	-
60	2 610 026 126	Washer	1	-,-	2	11
61	2 610 967 230	Screw	1	-,-	7	-
62	2 610 027 396	Washer	1	-,-	2	11
67	2 610 909 083	Spring Clip	1	-,-	1	-
810	2 610 912 446	Carbon-Brush Set	1	-,-	1	-
837	2 610 994 881	Reduction Gear	1	-,-	1	22
841	2 610 912 448	Spindle	1	-,-	1	-

Illustration - Type E



F012 623 001
 Issue 02-01-08
 Stand **Fig./Abb. 1**

Information subject to change without further notice.