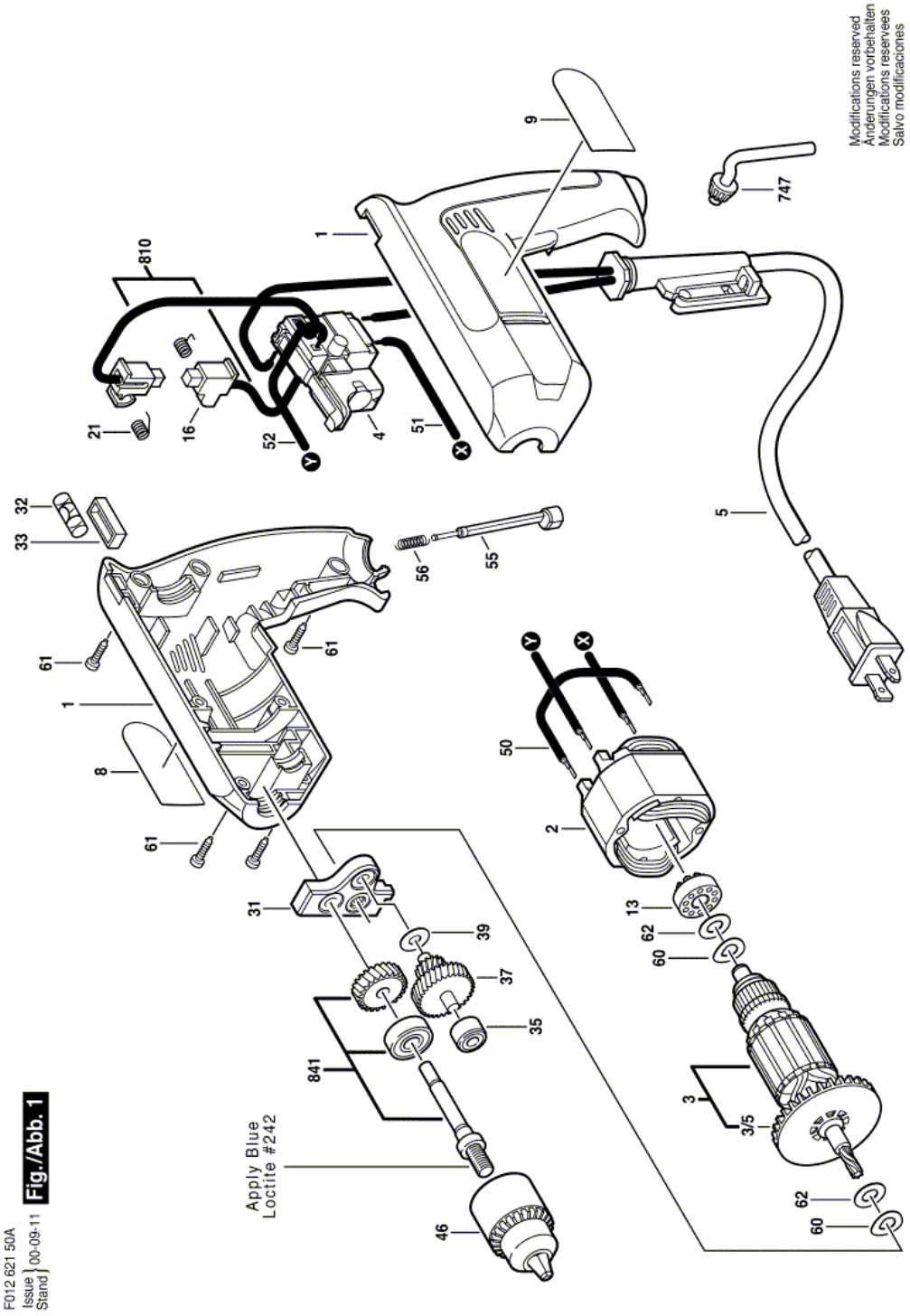


## Drill - F 012 621 500 - 6215

Item	Part Number	Description	Illustration	Price	Quantity	Price Group
1	2 610 967 200	Motor Housing	1	-,-	1	-
2	2 610 315 863	Field 120V	1	-,-	1	28
3	2 610 967 203	Armature With Fan 120V	1	-,-	1	-
3/5	2 610 967 201	Fan	1	-,-	1	12
4	2 610 998 161	On-Off Switch	1	-,-	1	-
5	2 610 967 174	Power supply cord	1	-,-	1	-
8	2 610 968 292	Nameplate	1	-,-	1	-
9	2 610 907 599	Reference Plate	1	-,-	1	-
13	2 610 967 219	Bushing	1	-,-	1	-
16	2 610 967 207	Brush Holder	1	-,-	2	-
21	2 610 354 369	Carbon Brush	1	-,-	2	21
31	2 610 967 211	Bearing Block	1	-,-	1	-
32	2 610 967 204	Bubble Level	1	-,-	1	11
33	2 610 967 205	Support	1	-,-	1	-
35	2 610 967 222	Sintered-Metal Bushing	1	-,-	1	-
37	2 610 967 218	Shaft	1	-,-	1	21
39	2 600 100 627	Shim 0,3 MM	1	-,-	1	11
46	2 610 907 640	Chuck	1	-,-	1	30
50	2 610 038 609	Connecting Wire BLACK	1	-,-	1	11
51	2 610 038 675	Connecting Cable	1	-,-	1	-
52	2 610 038 922	Connecting Cable BROWN	1	-,-	1	-
55	2 610 967 223	Locking Device	1	-,-	1	10
56	2 610 967 239	Compression Spring	1	-,-	1	-
60	2 610 026 126	Washer	1	-,-	2	11
61	2 610 315 386	Screw ST3,9x19	1	-,-	7	11
62	2 610 027 396	Washer	1	-,-	2	11
747	2 610 315 835	Key	1	-,-	1	19
810	2 610 967 236	Carbon-Brush Set	1	-,-	1	22
841	2 610 967 216	Drilling Spindle	1	-,-	1	28

Illustration - Type E



Information subject to change without further notice.