



SERVICE PARTS LIST

16" or 20" CHAIN SAW

Catalog No.

6205
6206

Starting
Serial No. **478-4474**

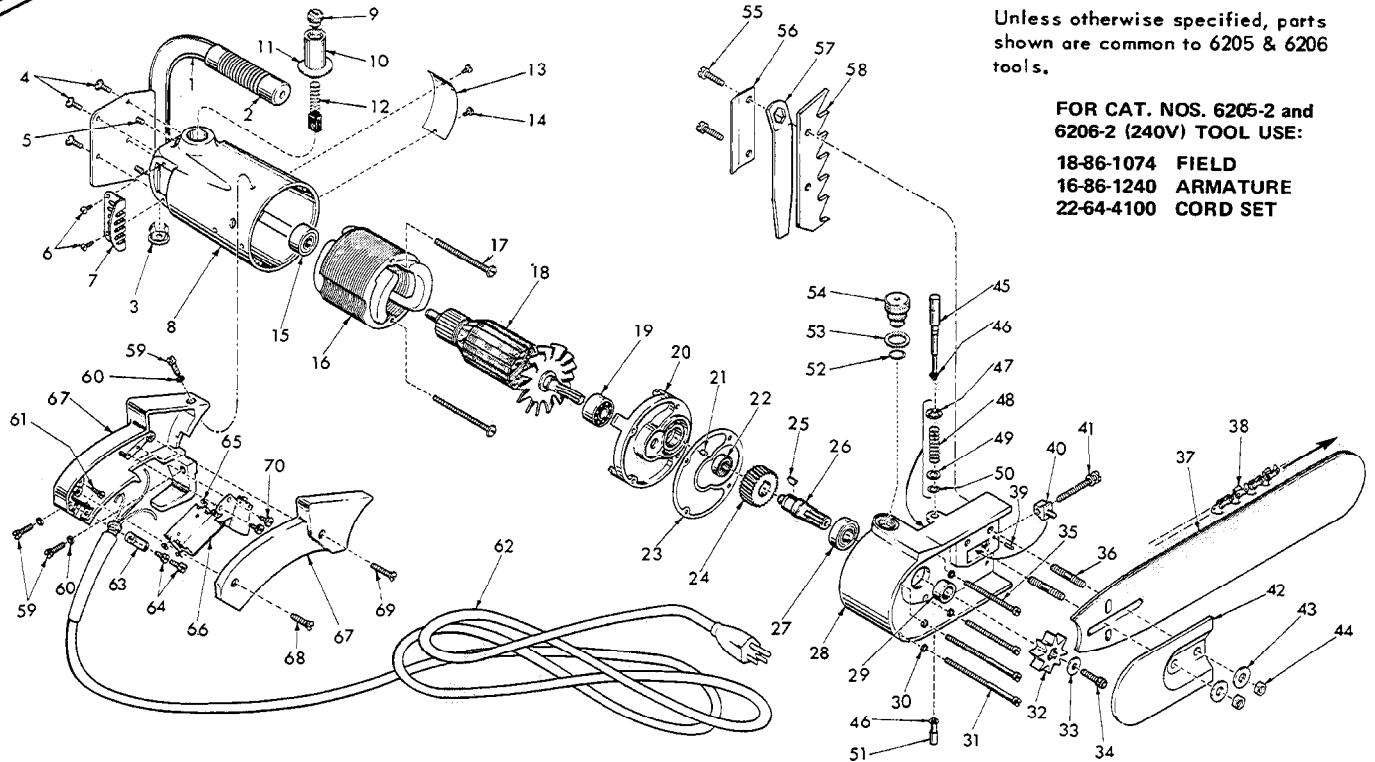
Specify Catalog and Serial No. when ordering parts

BUL. 54-40-2526

REVISED BUL.
54-40-2525

DATE
June '75

WIRING INSTRUCTIONS
58-01-0320



Unless otherwise specified, parts shown are common to 6205 & 6206 tools.

FOR CAT. NOS. 6205-2 and 6206-2 (240V) TOOL USE:

18-86-1074 FIELD
16-86-1240 ARMATURE
22-64-4100 CORD SET

FIG.	PART NO.	DESCRIPTION OF PART	NO. REQ.	FIG.	PART NO.	DESCRIPTION OF PART	NO. REQ.
1	43-62-0170	Handle Assy. (Includes Figs. 2 & 3)	(1)	38	48-58-0016	16" Chipper Chain (For Cat. No. 6205)	(1)
2	43-62-0242	Handle Grip	(1)	48-58-0020	20" Chipper Chain (For Cat. No. 6206)	(1)	
3	42-42-0100	Push Plug	(1)	39	06-65-0830	1/8x1/2 Groove Pin	(1)
4	06-81-3625	12-28x1/2 Oval Hd. Screw	(4)	40	44-40-0235	Chain Adjusting Nut	(1)
5	06-83-2725	1/4-28x3/8 Set Screw	(2)	41	45-04-0110	Chain Adjusting Screw	(1)
6	06-81-8650	6-32x1/4 Rd. Hd. Sem	(2)	42	28-20-9011	Sprocket Cover	(1)
★ 7	44-66-0105	Cover Plate	(1)	43	45-88-5261	Flat Washer	(2)
8	28-50-4691	Motor Housing	(1)	44	06-55-2500	3/8-16 Hex. Nut	(2)
9	23-44-0030	Brush Retaining Screw	(2)	★ 45	31-54-0010	Pump Shaft	(1)
10	22-22-0015	Brush Holder	(2)	★ 46	34-60-0100	O-Ring	(2)
11	23-86-0060	Insulating Washer	(2)	★ 47	34-60-0560	Push On Retaining Ring	(1)
12	22-18-0055	Carbon Brush	(2)	48	40-50-2200	Compression Spring	(1)
13	12-99-0032	Nameplate	(1)	★ 49	45-88-0215	Flat Washer	(1)
14	06-85-0200	6x1/4 Rd. Hd. Screw	(2)	★ 50	34-40-3000	O-Ring	(1)
15	02-04-1070	Ball Bearing	(1)	★ 51	31-94-0010	Lower Valve	(1)
16	18-82-1085	115 Volt Field	(1)	52	34-40-1000	O-Ring	(1)
17	06-81-9225	10-24x2-3/4 Rd. Hd. Sem	(2)	53	43-44-0070	Gasket	(1)
18	16-82-1280	115 Volt Armature	(1)	54	42-92-0060	Oil Filler Cover	(1)
19	02-04-1260	Ball Bearing	(1)	55	06-81-7800	1/4-20x3/4 Fil. Hd. Sem	(2)
20	28-28-0781	Diaphragm	(1)	56	42-70-0070	Wrench Clip	(1)
21	45-30-0070	Bearing Retaining Slug	(1)	57	49-96-6200	Wrench (For Figs. 41 & 44)	(1)
22	02-04-0910	Ball Bearing	(1)	58	42-38-0060	Bumper	(1)
23	43-44-0060	Gasket	(1)	★ 59	06-81-1425	12-24x5/8 Fil. Hd. Screw	(3)
24	32-75-1681	Spindle Gear	(1)	60	06-97-3600	Lock Washer	(3)
25	06-42-2000	Woodruff Key	(1)	61	06-81-8625	6-32x1/4 Ground Screw	(1)
26	38-50-3001	Spindle	(1)	62	22-64-0095	Cord Set	(1)
27	02-04-1640	Ball Bearing	(1)	63	28-17-0400	Clamp Strap	(1)
★ 28	28-14-0803	Gear Case	(1)	64	06-81-6150	8-32x1/2 Fil. Hd. Sem	(2)
29	45-36-0150	Sprocket Spacer	(1)	65	06-97-1800	Lock Washer (For Switch)	(4)
30	06-97-3400	Lock Washer	(4)	66	23-66-0300	Switch	(1)
★ 31	06-81-4620	10-24x3-1/2 Rd. Hd. Screw	(2)	67	28-44-9162	Switch Handle Assy. (Incl. both Halves & Figs. 68 & 69)	(1)
32	45-44-0080	Sprocket	(1)	68	06-81-3650	8-32x3/4 Oval Hd. Screw	(1)
33	45-88-0231	Steel Washer	(1)	69	06-81-3750	8-32x1 Oval Hd. Screw	(1)
34	06-75-3000	1/4-20x5/8 L.H. Skt. Hd. Screw	(1)	70	06-81-5400	8-32x5/16 Binder Hd. Sem	(2)
★ 35	06-81-4595	10-24x2-1/2 Rd. Hd. Screw	(2)	71	12-98-7081	Caution Plate (Not Shown)	(1)
36	06-92-1000	3/8-16x1-1/2 Stud	(2)				
37	48-09-5016	16" Guide Bar (For Cat. No. 6205)	(1)				
	48-09-5020	20" Guide Bar (For Cat. No. 6206)	(1)				