



SERVICE PARTS LIST

BULLETIN NO.
54-38-1375

SPECIFY CATALOG NO. AND SERIAL NO. WHEN ORDERING PARTS		REVISED BULLETIN	DATE
5" DIAL SPEED SUPER MAG GRINDER			Aug. '98
CATALOG NO. 6156-20	STARTING SERIAL NUMBER 950A	WIRING INSTRUCTION See Below	

EXAMPLE:



Component Parts (Small #)
Are Included When Ordering
The Assembly (Large #).

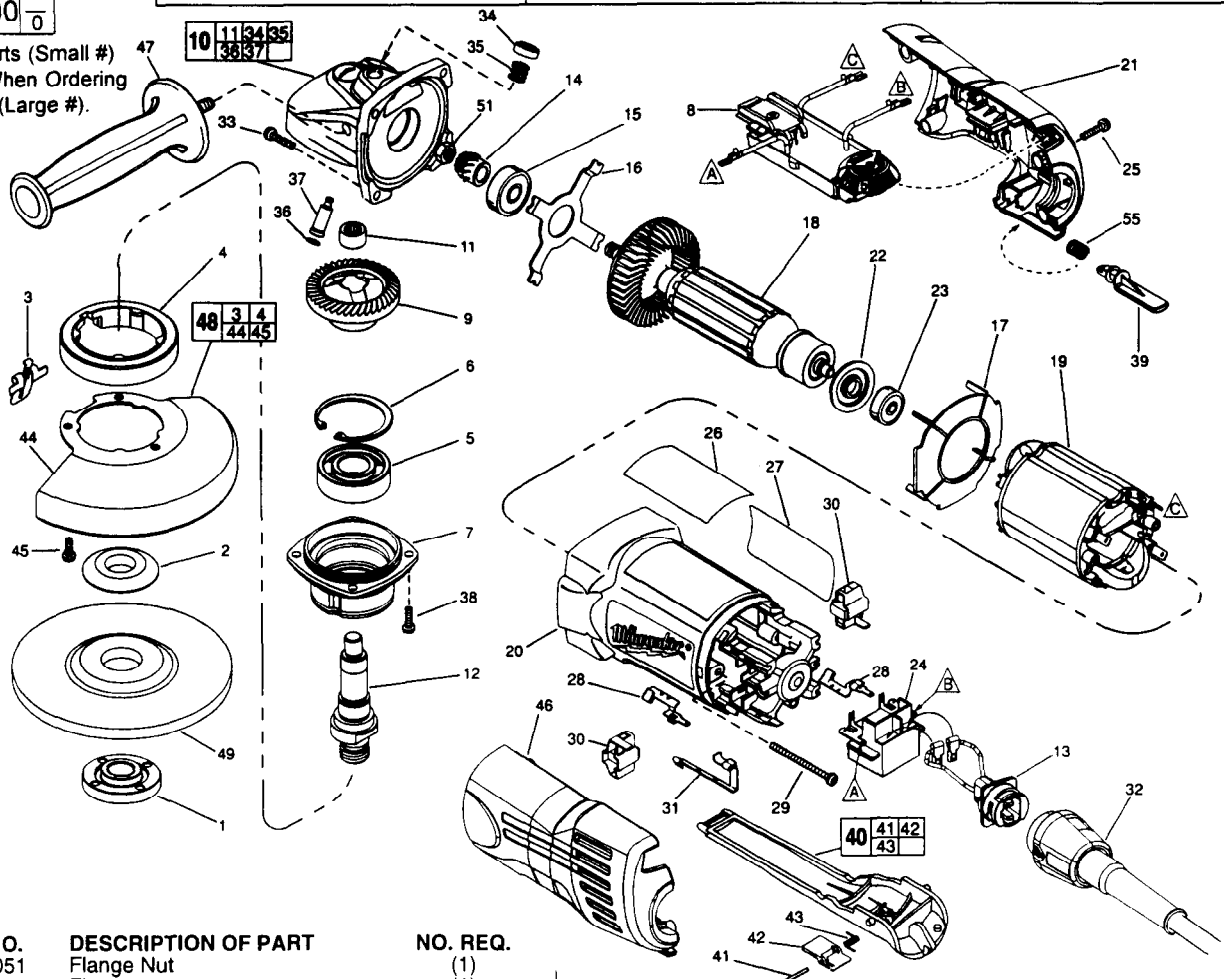


FIG.	PART NO.	DESCRIPTION OF PART	NO. REQ.
1	49-05-0051	Flange Nut	(1)
2	49-05-0041	Flange	(1)
3	44-20-0325	Lock Lever	(1)
4	45-36-1551	Spacer	(1)
5	02-04-1745	Ball Bearing	(1)
6	34-80-2960	Retaining Ring - Internal	(1)
7	28-52-0222	Spindle Hub	(1)
8	14-20-0910	Module Assembly	(1)
9	32-05-1310	P.M. Gear	(1)
10	25-14-2350	Gear Case Assembly	(1)
11	02-50-2423	Needle Bearing	(1)
12	38-50-5202	Spindle	(1)
13	22-56-0890	Blade Housing Assembly	(1)
14	32-60-1310	Pinion Gear	(1)
15	02-04-2076	Ball Bearing	(1)
16	44-66-5345	Bearing Retainer Plate	(1)
17	42-14-0400	Baffle	(1)
18	16-10-2005	Armature	(1)
19	18-10-2005	Field	(1)
20	31-50-1100	Motor Housing	(1)
21	31-44-0660	Right Cover	(1)
22	23-16-0100	Commutator Insulator	(1)
23	02-04-2080	Ball Bearing	(1)
24	23-66-2401	Switch	(1)
25	06-82-7271	6-19 x 7/8" Pan Hd. Plastite T-15	(4)
26	12-20-6156	Service Nameplate Kit	(1)
27	10-98-7091	Warning Label	(1)
28	23-74-1206	Brush Terminal	(2)
29	06-82-7421	6-19 x 3-1/4" Pan Hd. Slit. Plast. T-15	(2)
30	22-20-0920	Brush Holder Assy. (Incl. Carbon Brush)	(2)
31	23-74-1201	Switch Terminal	(1)
32	48-76-5010	Quik-Lok Cord Set	(1)
33	06-82-7326	8-16 x 1" Pan Hd. Slit. Plast. T-20	(4)
34	31-12-0205	Cap	(1)
35	40-50-8650	Compression Spring	(1)
36	34-40-4300	O-Ring	(1)
37	44-60-0845	Lock Pin	(1)
38	06-82-5316	8-32 x 1/2" Pan Hd. Slit. Tapt. T-20	(4)

FIG.	PART NO.	DESCRIPTION OF PART	NO. REQ.
39	42-42-0030	Lock On Button	(1)
40	31-92-0320	Paddle Assembly	(1)
41	06-65-1915	Pin	(1)
42	42-42-0390	Lock-Off Button	(1)
43	40-50-8750	Torsion Spring	(1)
44	28-41-1025	Hood	(1)
45	06-82-7251	8-16 x 3/8" Pan Hd. Slit. Plast. T-20	(3)
46	31-44-0665	Left Cover	(1)
47	49-15-0310	Side Handle	(1)
48	49-12-0366	Guard Assembly	(1)
49	-----	5" Disc - Select From Catalog	(1)
51	06-55-3850	10-32 Hex Nut	(1)
55	40-50-0921	Lock On Spring	(1)
	49-96-7205	Spanner Wrench	(1)

FIG. LUBRICATION:
9, 14 Type "O" Grease, No. 49-08-4200, Must Be Applied To All Gear Teeth.
10 18-21 Grams Type "O" Grease, No. 49-08-4200.

FIG. NOTES:
7 Position The Spindle Hub With The Side That Has The Word "Back" Orientated Toward The Rear Of The Tool.
8 Connect Terminals Flagged "A" & "B" On Module Assembly To The Corresponding Terminals Flagged On The Switch. Connect The Terminal Flagged "C" On The Module To The Terminal Flagged "C" On The Field.
11 Press .09" Below Casting Surface With Lettering Readable After Assembly.
13 Blade Hsg. Leads Are Interchangeable On Switch Connections.
51 Torque To 25-35 In./Lbs.

MILWAUKEE ELECTRIC TOOL CORPORATION
13135 W. Lisbon Road, Brookfield, WI 53005
Drwg. 3