



# SERVICE PARTS LIST

**BULLETIN NO.**  
**54-38-3728**

SPECIFY CATALOG NO. AND SERIAL NO. WHEN ORDERING PARTS		REVISED BULLETIN 54-38-3727	DATE Nov. 2005
<b>4-1/2" DIAL SPEED SUPER MAG GRINDER</b>		WIRING INSTRUCTION See Below	
CATALOG NO. <b>6154-20</b>	STARTING SERIAL NUMBER <b>907D</b>		

EXAMPLE: 

00	0
----	---

Component Parts (Small #) Are Included When Ordering The Assembly (Large #).

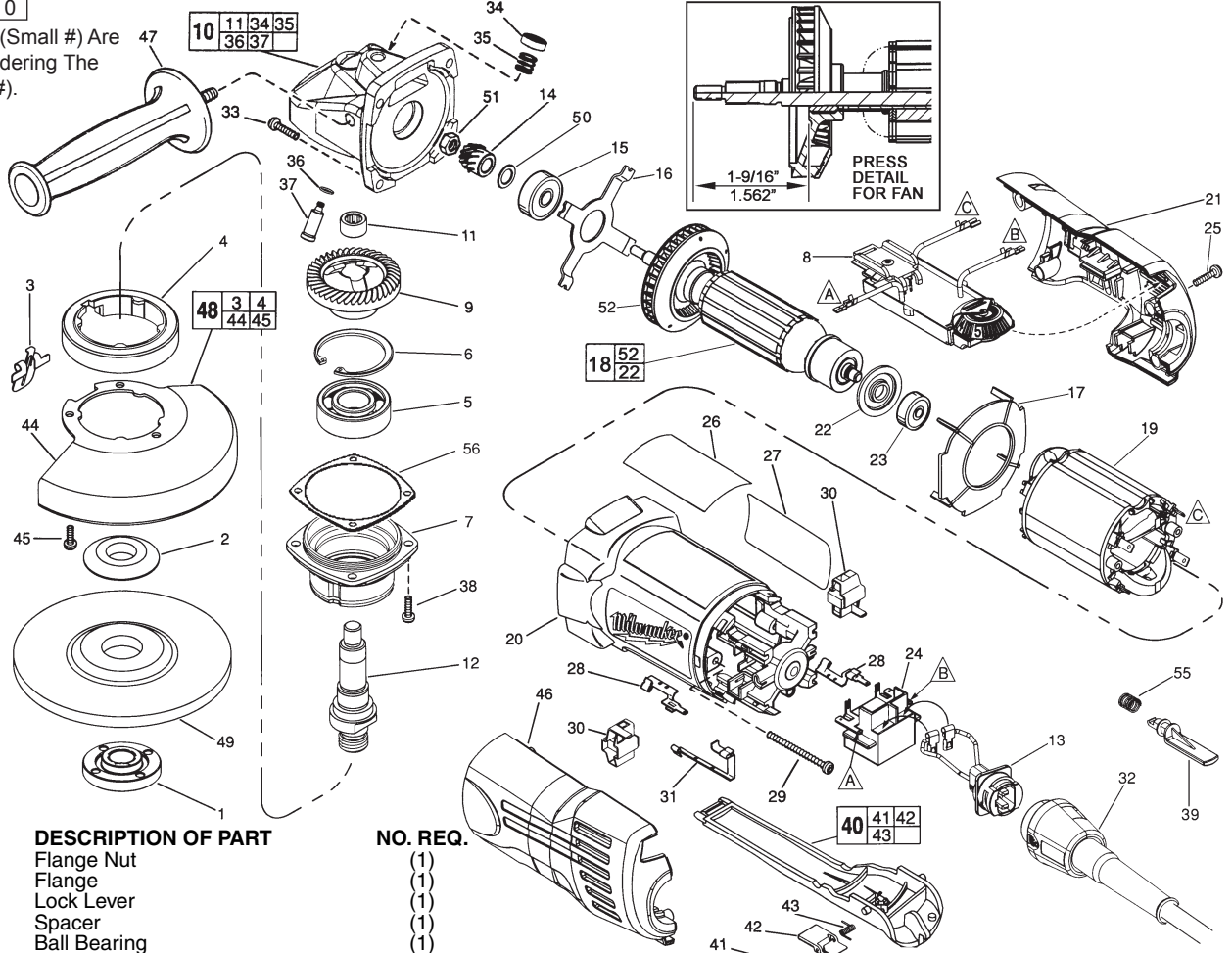


FIG.	PART NO.	DESCRIPTION OF PART	NO. REQ.
★ 1	49-05-0110	Flange Nut	(1)
★ 2	49-05-0125	Flange	(1)
★ 3	44-20-0325	Lock Lever	(1)
4	45-36-1551	Spacer	(1)
5	02-04-1745	Ball Bearing	(1)
6	34-80-2960	Retaining Ring - Internal	(1)
7	28-52-0222	Spindle Hub	(1)
8	14-20-0910	Module Assembly	(1)
9	32-05-1310	P.M. Gear	(1)
★ 10	28-14-0705	Gear Case Assembly	(1)
11	02-50-2423	Needle Bearing	(1)
★ 12	38-50-5212	Spindle	(1)
13	22-56-0890	Blade Housing Assembly	(1)
14	32-60-1310	Pinion Gear	(1)
15	02-04-0852	Ball Bearing	(1)
16	44-66-5345	Bearing Retainer Plate	(1)
17	42-14-0400	Baffle	(1)
★ 18	16-10-2007	Armature	(1)
19	18-10-2005	Field	(1)
★ 20	31-50-1125	Motor Housing	(1)
21	31-44-0660	Right Cover	(1)
22	23-16-0101	Commutator Insulator	(1)
23	02-04-2080	Ball Bearing	(1)
24	23-66-2401	Switch	(1)
25	06-82-7271	6-19 x 7/8" Pan Hd. Plastite T-15	(4)
26	12-20-6207	Service Nameplate Kit	(1)
27	10-98-7091	Warning Label	(1)
28	23-74-1206	Brush Terminal	(2)
29	06-82-7421	6-19 x 3-1/4" Pan Hd. Slit. Plast. T-15	(2)
★ 30	22-20-1010	Brush Holder Assy. (Incl. Carbon Brush)	(2)
31	23-74-1201	Switch Terminal	(1)
32	48-76-5010	Quik-Lok Cord Set	(1)
33	06-82-7326	8-16 x 1" Pan Hd. Slit. Plast. T-20	(4)
34	31-12-0205	Cap	(1)
35	40-50-8650	Compression Spring	(1)
36	34-40-4300	O-Ring	(1)
37	44-60-0845	Lock Pin	(1)
38	06-82-5316	8-32 x 1/2" Pan Hd. Slit. Tapt. T-20	(4)
39	42-42-0030	Lock On Button	(1)
40	31-92-0320	Paddle Assembly	(1)
41	06-65-1915	Pin	(1)
42	42-42-0390	Lock-Off Button	(1)
43	40-50-8750	Torsion Spring	(1)

FIG.	PART NO.	DESCRIPTION OF PART	NO. REQ.
44	28-41-1020	Hood	(1)
45	06-82-7251	8-16 x 3/8" Pan Hd. Slit. Plast. T-20	(3)
46	31-44-0665	Left Cover	(1)
47	49-15-0310	Side Handle	(1)
48	49-12-0365	Guard Assembly	(1)
49	-----	4-1/2" Disc - Select From Catalog	(1)
50	45-14-0280	Pinion Shim	(1)
51	06-55-3850	10-32 Hex Nut	(1)
★ 52	22-84-0960	Fan Assembly	(1)
55	40-50-0921	Lock On Spring	(1)
★ 56	43-44-1080	Gasket	(1)
	49-96-7205	Spanner Wrench	(1)

- FIG. LUBRICATION:**  
9,14 Type "Y" Grease, No. 49-08-5270, Must Be Applied To All Gear Teeth.  
10 9-12 Grams Type "Y" Grease, No. 49-08-5270.
- FIG. NOTES:**  
7 Position The Spindle Hub With The Side That Has The Word "Back" Orientated Toward The Rear Of The Tool.  
8 Connect Terminals Flagged "A" & "B" On Module Assembly To The Corresponding Terminals Flagged On The Switch. Connect The Terminal Flagged "C" On The Module To The Terminal Flagged "C" On The Field.  
11 Press .09" Below Casting Surface With Lettering Readable After Assembly.  
13 Blade Hsg. Leads Are Interchangeable On Switch Connections.  
39,55,46 Assemble Lock On Button And Spring Into The Left Cover.  
51 Torque To 25-35 In./Lbs.